

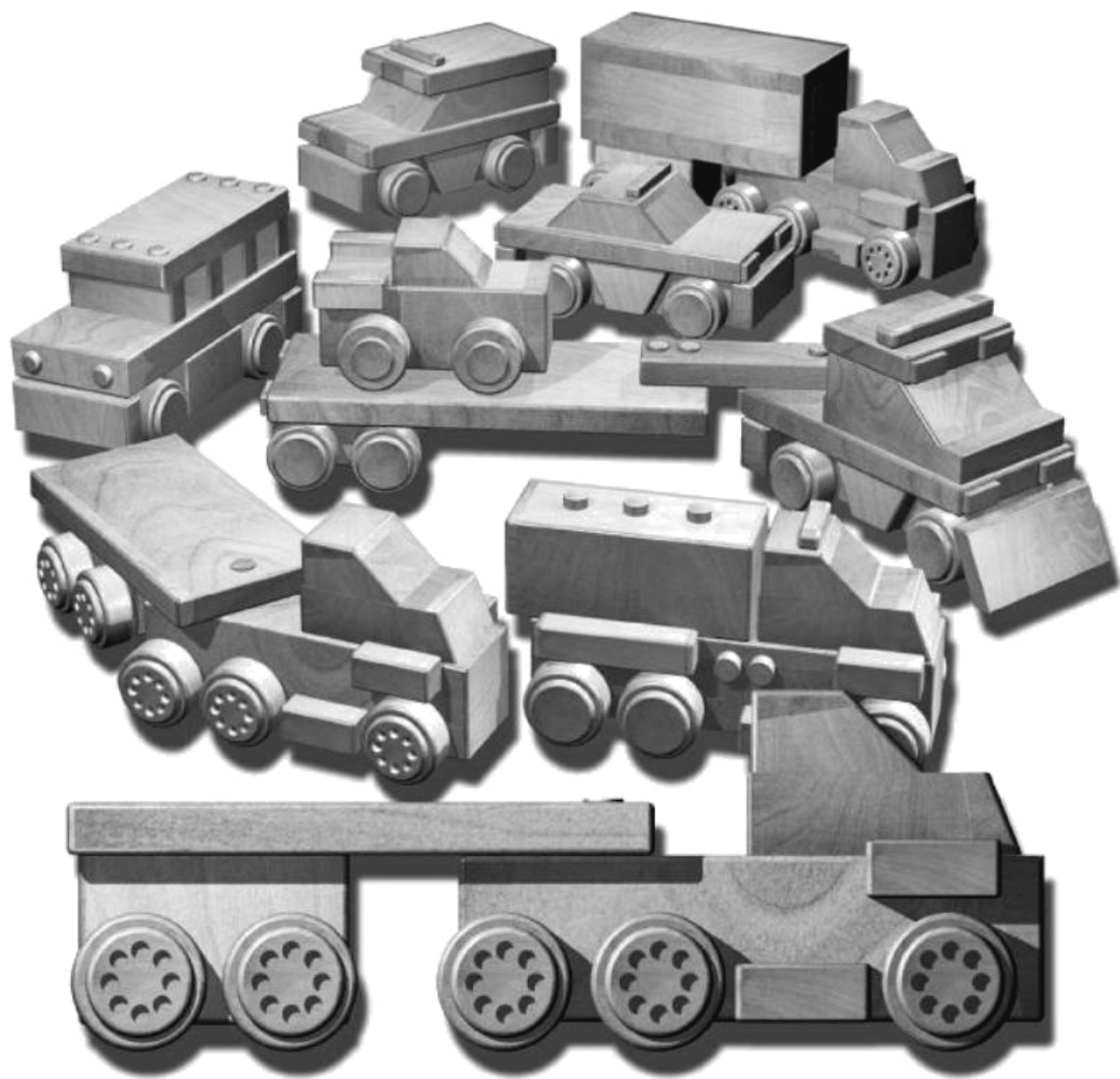


THE TOY WIZARD'S FAVORITE

# Wood Toy Plans

FOR TOY CARS AND TRUCKS

20 COMPLETE EASY TO BUILD FULL SIZE PLAN SETS



**Toy Wizard** is dedicated to providing you with the information and ideas you need to develop your skills as a toymaker. We welcome your comments and any suggestions about this collection of toy plans.

Email: [johnlewman@toywizard.org](mailto:johnlewman@toywizard.org)

THE TOY WIZARD'S FAVORITE  
WOOD TOY PLANS  
FOR TOY CARS AND TRUCKS

©2009

John W. Lewman

All rights reserved

Printed in the

United States of America

First edition

**Note to the Readers:** Due to different conditions, tools, and individual skills, **Toy Wizard** assumes no responsibility for any damages, injuries suffered, or losses incurred as a result of following the information published in this book. Before beginning any project review instructions carefully. If any doubts or questions remain consult local experts or authorities.

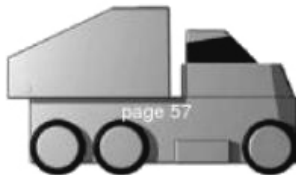
Always read and observe all of the safety precautions provided by manufacturers of any tools, equipment or supplies. Follow all accepted safety procedures.

**Toy Wizard**

Shawnee, KS 66216

[www.toywizard.org](http://www.toywizard.org)





THE TOY WIZARD'S FAVORITE

# Wood Toy Plans

FOR TOY CARS AND TRUCKS

## TABLE OF CONTENTS

[Getting Started ..... aa](#)

[Coupe Plan Set ..... 1](#)

[Sports Car Plan Set..... 5](#)

[Wagon Plan Set..... 9](#)

[Pickup Plan Set ..... 13](#)

[Minivan Plan Set..... 17](#)

[SUV Plan Set..... 21](#)

[Flatbed Truck Plan Set..... 25](#)

[Delivery Truck Plan Set ..... 31](#)

[Semi Tractor and Van Trailer Plan Set ..... 37](#)

[Emergency Vehicle Plan Set ..... 45](#)

[Fire Truck Plan Set..... 51](#)

[Dump Truck Plan Set..... 57](#)

[Police Car Plan Set..... 63](#)

[Ambulance Plan Set..... 67](#)

[School Bus Plan Set..... 71](#)

[Metro Bus Plan Set..... 75](#)

[Snow Plow Plan Set ..... 79](#)

[Salvage Trailer Plan Set..... 83](#)

[Eco Car Plan Set..... 87](#)

[Useful Links..... 91](#)

# Getting Started



Classic wood toys are a pleasure to craft for fun or for profit. You can quickly and easily get started using simple tools and readily available materials.

miter box and saw



Get started with just a hand saw and miter box plus a hand drill with 3/8" and 7/16" drill bits and easy to find supplies.



## Setting Up a Basic Toymaker Shop

All you need to get started are basic hand tools. Begin with just a hand saw and miter box plus a hand drill with 3/8" and 7/16" drill bits. Standard lumber yard wood, wood dowels, woodworker's adhesive (glue), sandpaper and paint complete the list.

If you want to go into production and build a large number of toys for profit, a small table saw, band saw or scroll saw works great. Add to that a small drill press or electric hand drill and you have all the power tools you need to get your business started.

You can set up a basic production power shop with a low cost band saw and a low cost drill press. An inexpensive table saw or scroll saw will work just as well. We often purchase our tools off the internet. Our favorite sites are [lowes.com](http://lowes.com) and [homedepot.com](http://homedepot.com).



low cost band saw

low cost drill press

If your workspace is limited you can arrange a temporary setup to make several toys on the kitchen table. It is a good idea to keep a vacuum cleaner handy to pick up the sawdust as you work. The cuts are small and do not create a lot of waste material and vacuuming sawdust as you build insures a clean, professionally built toy.

-aa-



woodworker's adhesive



pack of sandpaper



standard lumber yard wood

## Gathering Materials and Supplies

Home Depot or Lowes or any Home Improvement Center will have everything you need to get into production. You'll need glue, sandpaper and wood for starters. The body and chassis of each toy are best constructed from the lighter woods like spruce, white pine and poplar.

Wheels, hubcaps and axles are made from standard hardwood dowels. The edges of the wheels are rounded by hand using 100 grit sandpaper.

Each of the toys is painted with non-toxic water based acrylic latex enamels. Walmart and other paint suppliers usually have a selection of bright acrylic latex enamel colors in half-pint to quart size containers. The smallest containers of paint will coat several toys.



NON-TOXIC Water based acrylic latex enamel



2" paint brush from Home Depot

## Transferring Dimensions of the Toy Plan Onto the Wood



The toy plans in this book are complete and detailed with full size drawings for every part of every toy shown. Each of the parts is made from dimensional lumber. The lumber thickness called out for each part is available at lumber suppliers or can be easily cut with your saw.

Lumber is commonly available in 1/2", 3/4" and 1-1/2" thicknesses. All the toys in the book are designed around these dimensions.

A standard 10' measuring tape works great for transferring the dimensions from the toy plan onto the wood stock. A standard 12" ruler also works well.

A lead pencil can be used to prevent staining and denting the wood when marking dimensions.

## Cutting Parts to Size

Each part is shaped with straight cuts only. This method creates the unique blocky style of the toys. It also makes it easy to produce several toys quickly.

Follow all manufacturer's safety rules that are packaged with the saw, drill and all tools. Please review the Operator's Manual often as a reminder to practice safe and responsible crafting.

## Gluing Parts Into Assemblies

A thin layer of woodworker's glue is applied to each part. The gluing surface of each part to be glued together must be covered evenly with glue. Press the parts together tightly. Set the assembly aside until the glue has dried.

## Sanding Parts to Shape

The edges of each toy are rounded for a finished look and for safety. It also prevents splintering while minimizing the damage if the toy is thrown or dropped.

Wheel edges are also best when rounded. Edges are rounded by folding a sheet of 100 grit sandpaper into a small pad and sanding each edge vigorously for the desired roundness. If beveled edges are preferred wrap the sandpaper around a small flat piece of wood.

## Applying Final Touches to the Toy

After the parts are glued together and the glue is dry lightly apply one coat of paint to the assembly as a primer. Prime the wheel and hubcap assemblies separately from the toy body. Do not paint the axles.

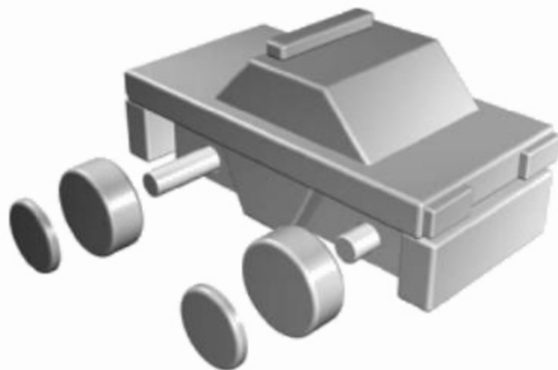
Keep paint out of the axle holes in the toy bodies and out of the holes in the wheels that receive the axles by inserting a scrap of axle dowel in each hole. Remove the scrap dowels after painting the wheels.

The first coat of paint will appear a little rough or spotty because the moisture from the paint causes the grain of the wood to swell.

First make sure the paint is thoroughly dry then sand the first coat with 200 grit sandpaper until the part is smooth. Do not sand the painted toy down to the bare wood. Apply at least 2 more coats of paint for a professional finish. Sand each coat except the final coat.

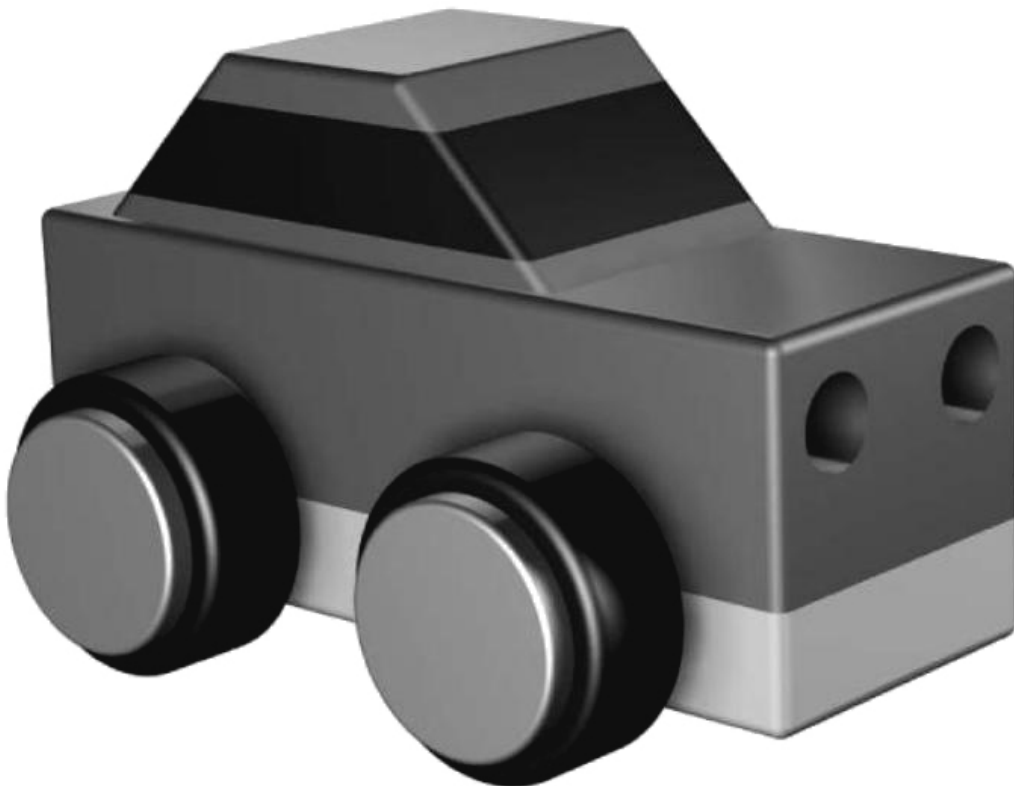
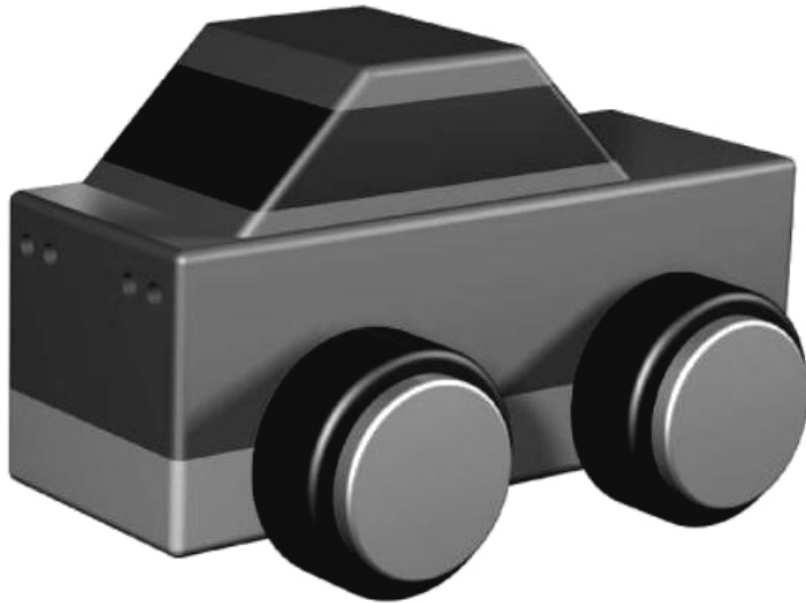
## Bringing It All Together

Place a drop of glue into a wheel hole and insert the unpainted axle firmly into the hole. Insert the axle and wheel assemblies into the axle holes in the toy body. Place a drop of glue into the opposite wheel and then press the wheel firmly onto the axle. Repeat for each axle hole in the toy body. The toy is now finished and ready for play.



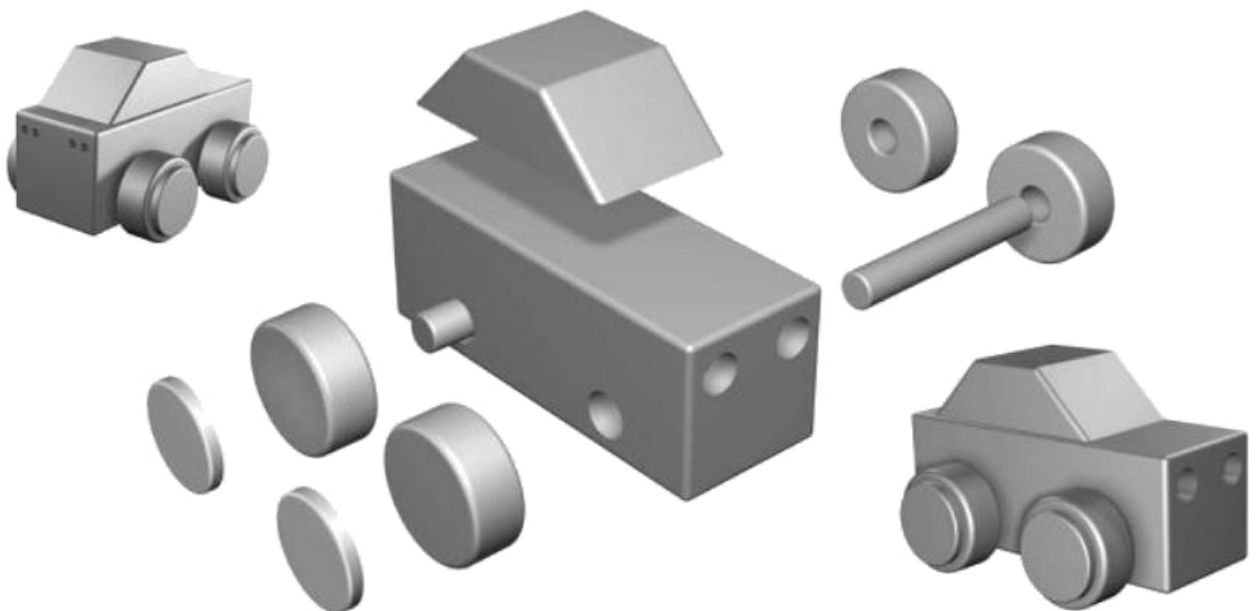
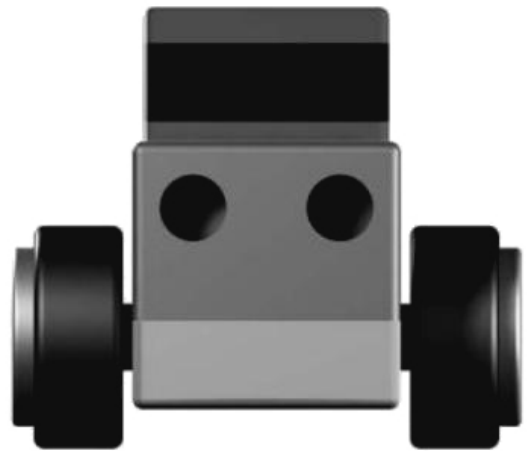
**With a little planning you can make several wood toy cars and trucks in a few hours. And by using common lumber to keep your costs low you can build the entire set and stay within your budget. Now let's get started!**

Coupe Plan Set





actual size



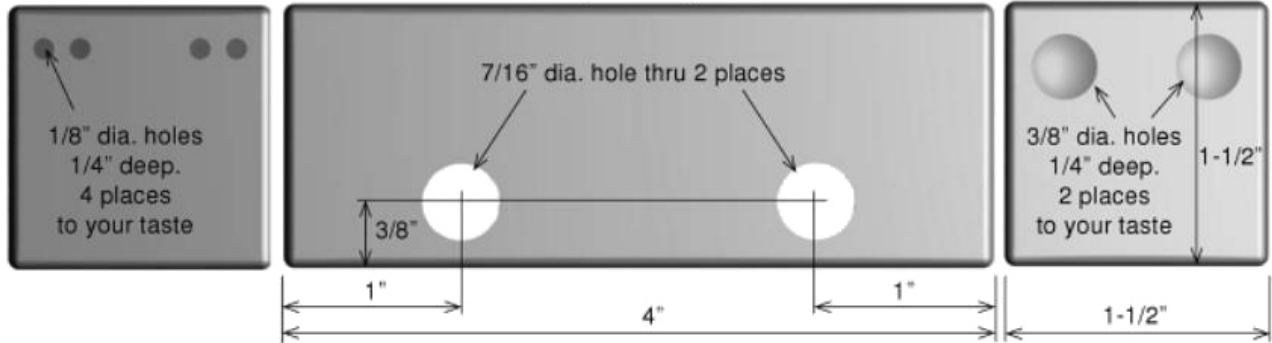


**COUPE PARTS LIST**

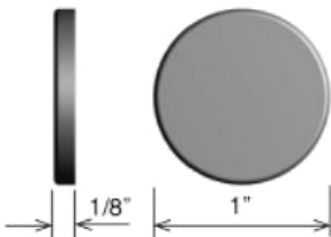
1. CHASSIS	MAKE 1	1-1/2" X 1-1/2" X 4"	PINE
2. TOP	MAKE 1	3/4" X 1-3/8" X 2-9/16"	PINE
3. WHEEL	MAKE 4	1/2" X 1-1/4" DIA.	DOWEL
4. AXLE	MAKE 2	2-1/4" X 3/8" DIA.	DOWEL
5. HUBCAP	MAKE 4	1/8" X 1" DIA.	DOWEL

NOTE: All body parts can be sawn from 1x4 and 2x4 lumber. Wheels, axles and hubcaps are sawn from standard diameter dowels. See parts list for sizes.

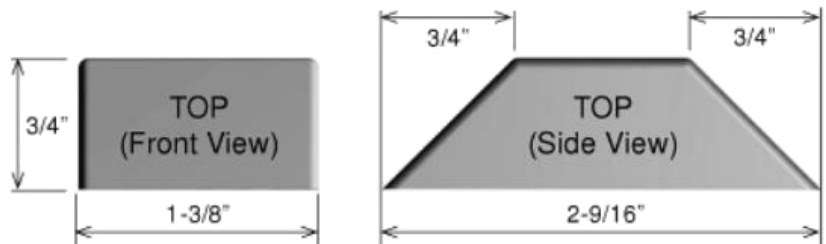
**1. CHASSIS 1-1/2" X 1-1/2" X 4"**  
(Make 1)



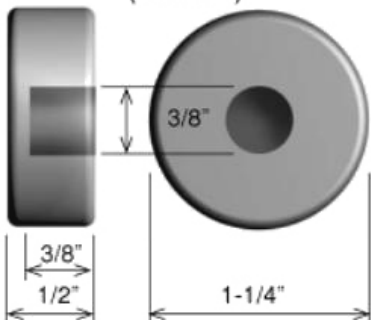
**5. HUBCAP**  
1/8" X 1" DIAMETER (Make 4)



**2. TOP 3/4" X 1-3/8" X 2-9/16"** (Make 1)

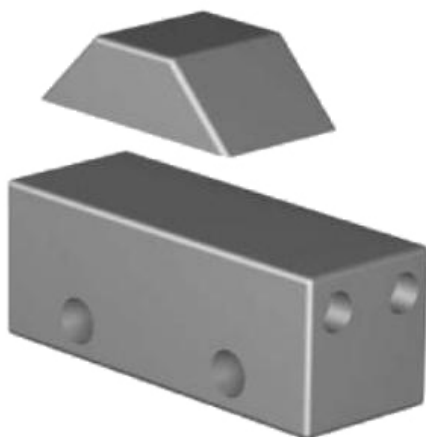


**3. WHEEL 1/2" X 1-1/4" DIAMETER**  
(Make 4)

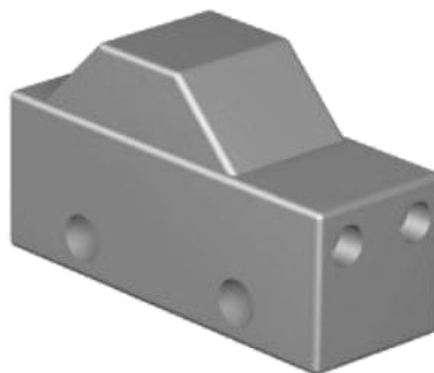


**4. AXLE**  
2-1/4" X 3/8" DIAMETER  
(Make 2)

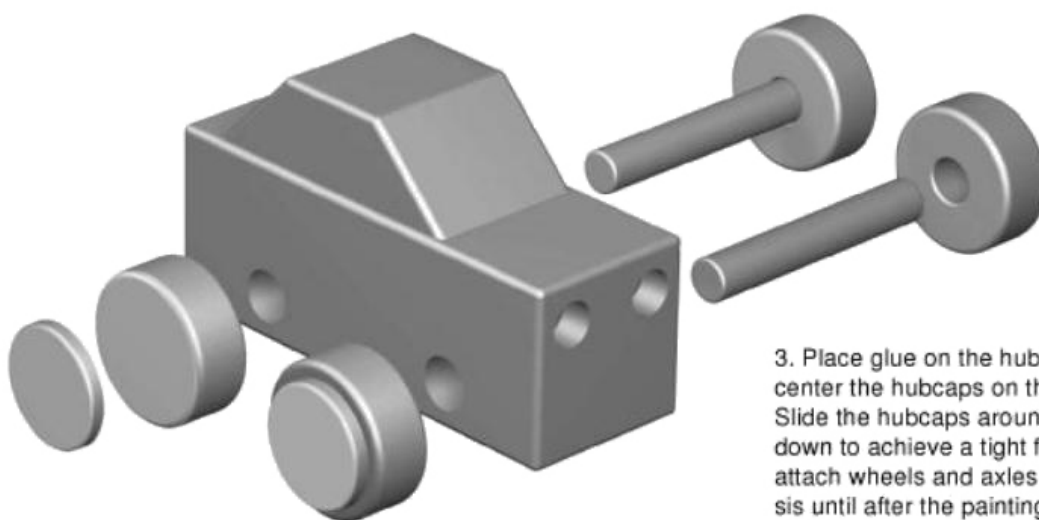




1. Round off the edges of the chassis and the top edges of the top slightly as shown above prior to applying the woodworker's glue to the underside of the top. A piece of 100 grit sandpaper wrapped around a small block works well for creating smooth and straight rounded edges.

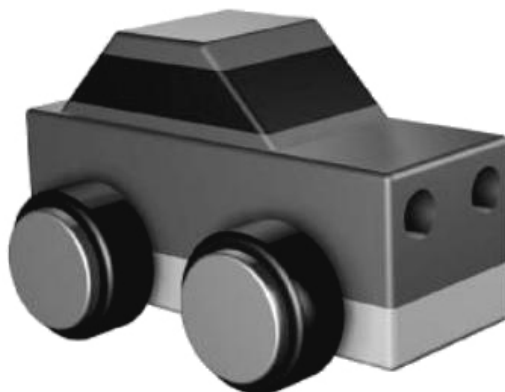


2. Press the top down onto the chassis and slide it around to spread the glue evenly. Once you feel the glue has a good grip press down on the top to seat it against the chassis. The top is slightly narrower than the chassis so be careful to align the sides of the top side to side in the center of the chassis.



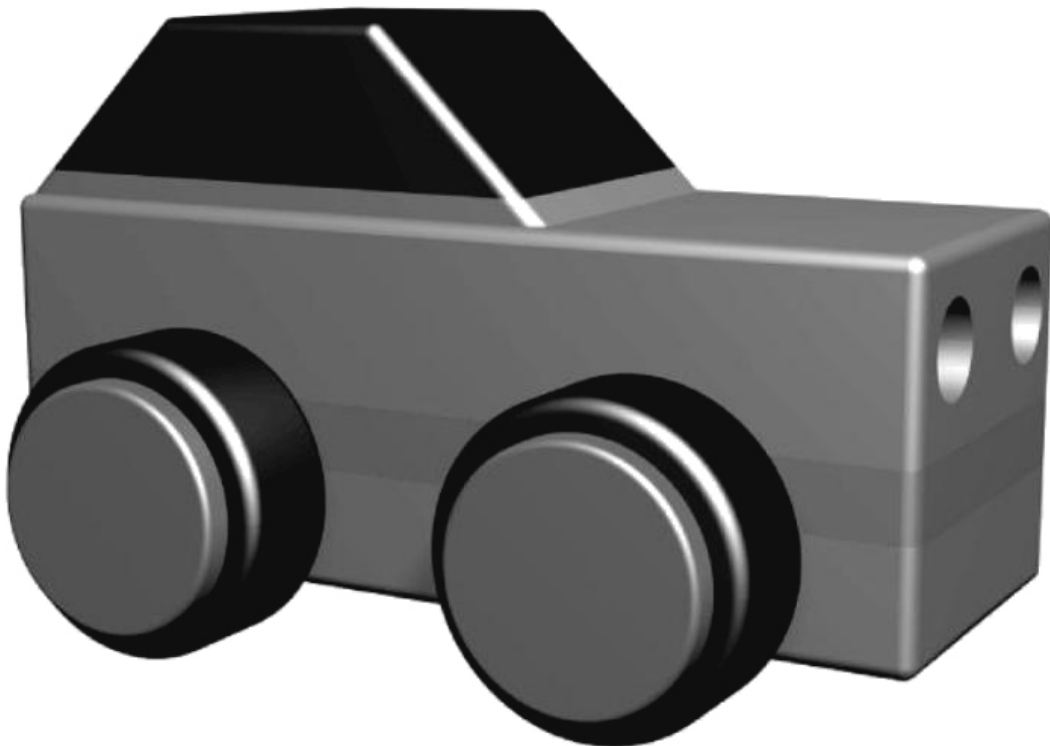
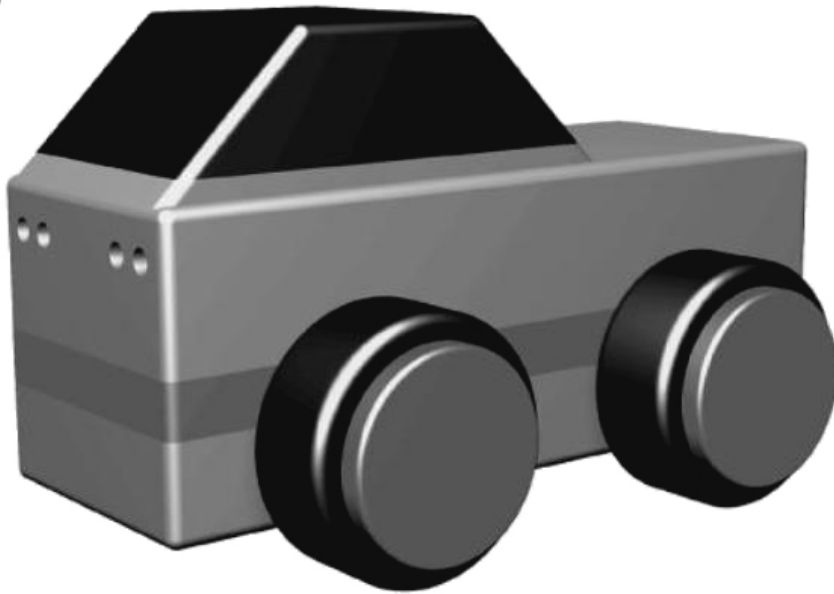
3. Place glue on the hubcaps and center the hubcaps on the wheels. Slide the hubcaps around and press down to achieve a tight fit. Do not attach wheels and axles to the chassis until after the painting steps are completed.

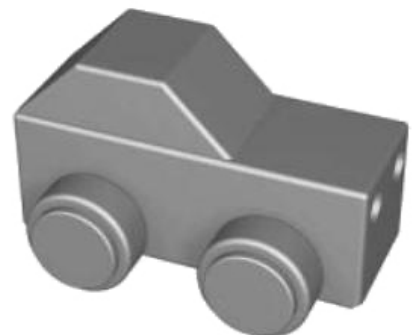
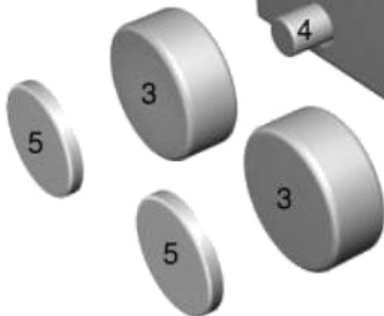
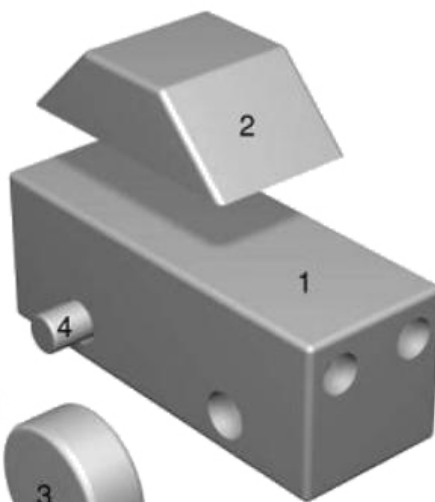
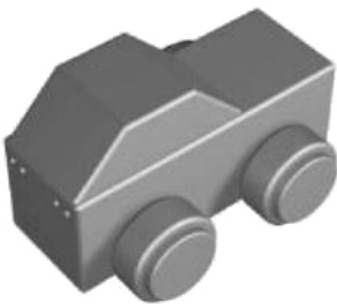
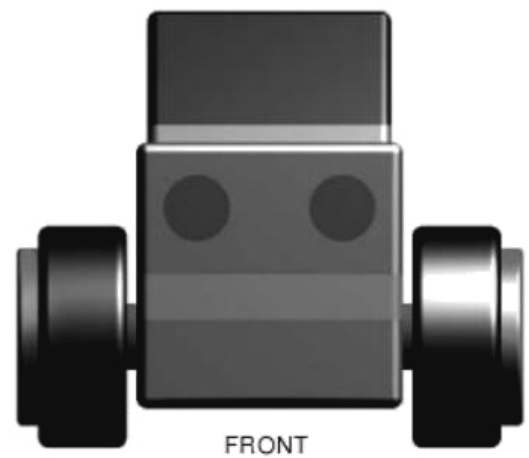
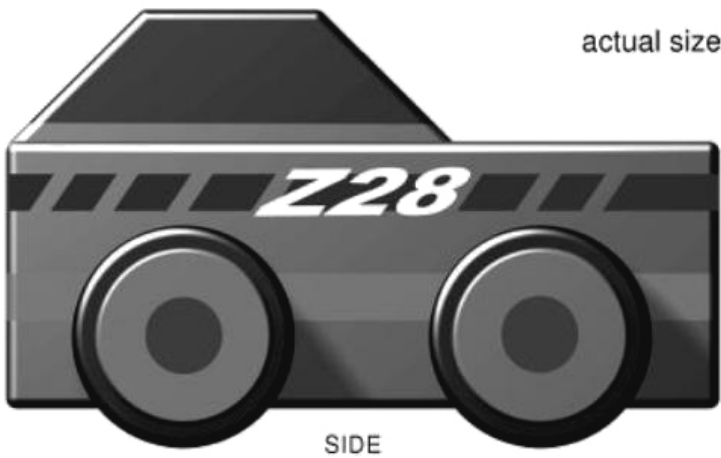
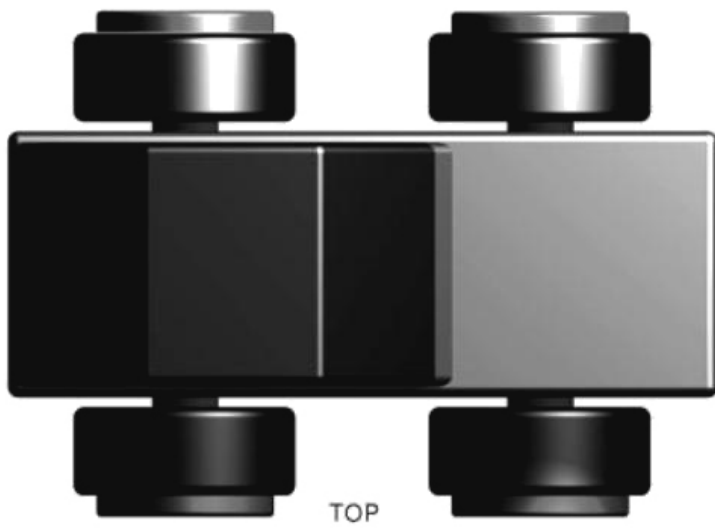
4. Painting the coupe is a lot of fun. It looks great both painted and unpainted but color adds a lot of punch. The coupe can be painted a solid color with the wheels and axles a contrasting solid color. Or the coupe can be painted with multiple colors to create some great looks.

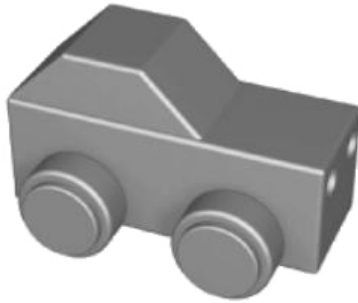


5. The coupe is first painted a solid color. Apply at least 3 coats, sanding between with 200 grit paper. Once dry the contrasting color areas are masked off using painter's trim masking tape for a clean edge after tape is pulled off. Water based enamel is used for all of the colors. The hubcaps are painted with a small artist's brush without masking.

Sports Car Plan Set





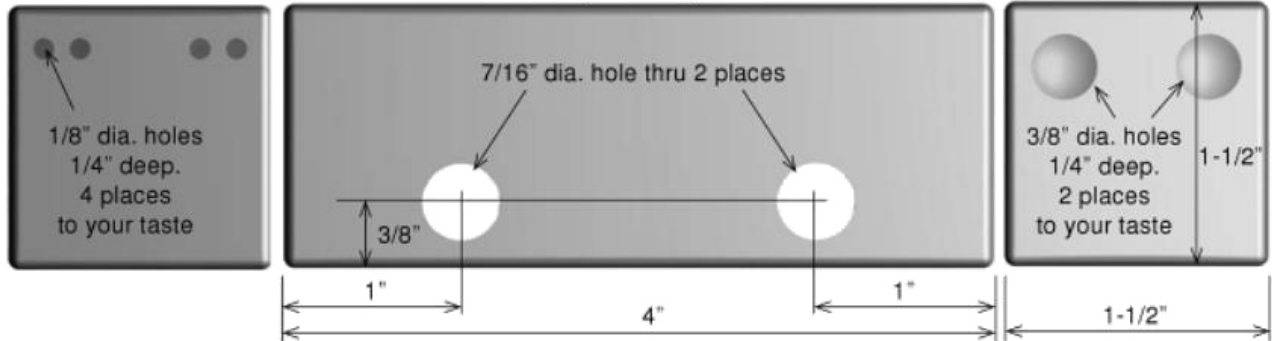


SPORTS CAR PARTS LIST

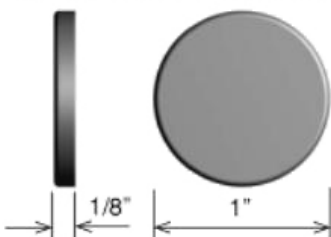
1. CHASSIS	MAKE 1	1-1/2" X 1-1/2" X 4"	PINE
2. TOP	MAKE 1	3/4" X 1-3/8" X 2-9/16"	PINE
3. WHEEL	MAKE 4	1/2" X 1-1/4" DIA.	DOWEL
4. AXLE	MAKE 2	2-1/4" X 3/8" DIA.	DOWEL
5. HUBCAP	MAKE 4	1/8" X 1" DIA.	DOWEL

NOTE: All body parts can be sawn from 1x4 and 2x4 lumber. Wheels, axles and hubcaps are sawn from standard diameter dowels. See parts list for sizes.

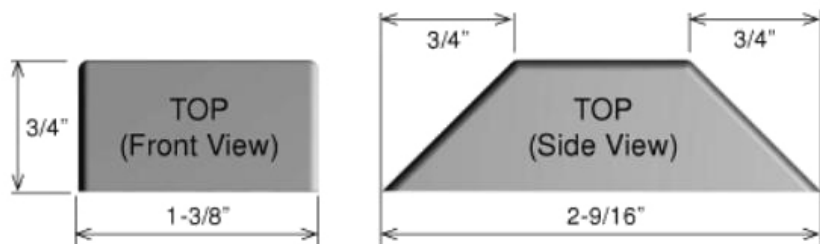
1. CHASSIS 1-1/2" X 1-1/2" X 4"  
(Make 1)



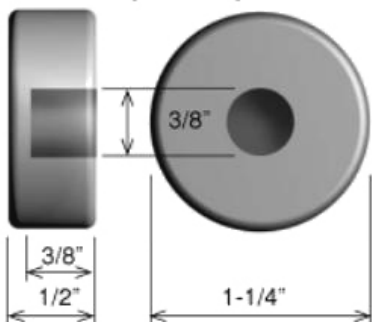
5. HUBCAP  
1/8" X 1" DIAMETER (Make 4)



2. TOP 3/4" X 1-3/8" X 2-9/16" (Make 1)

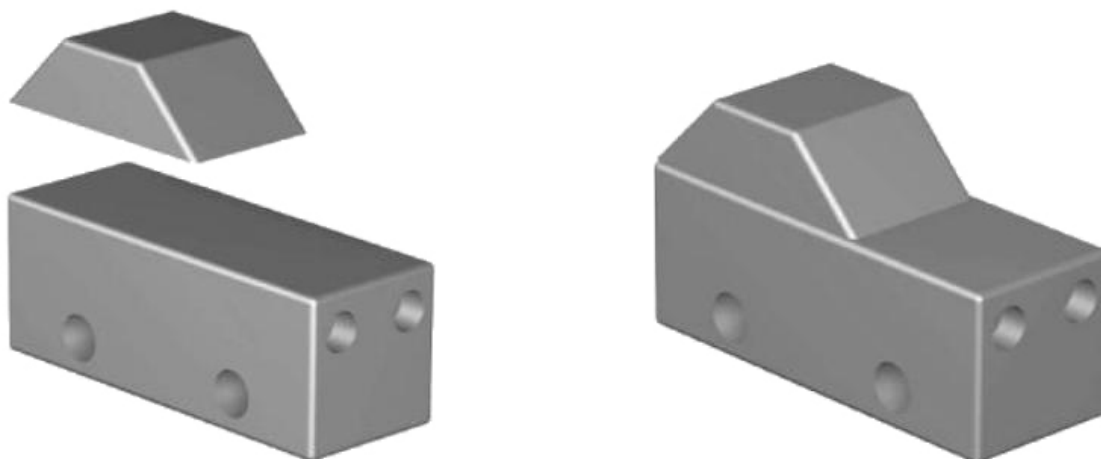


3. WHEEL 1/2" X 1-1/4" DIAMETER  
(Make 4)



4. AXLE  
2-1/4" X 3/8" DIAMETER  
(Make 2)

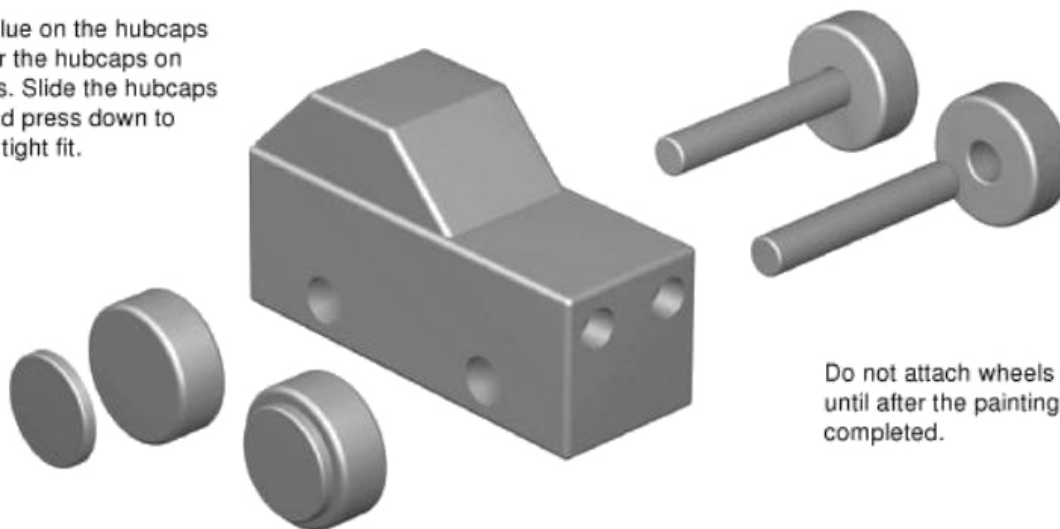




1. Round off the edges of the chassis and the top edges of the top slightly as shown above prior to applying the woodworker's glue to the underside of the top. A piece of 100 grit sandpaper wrapped around a small block works well for creating smooth and straight rounded edges.

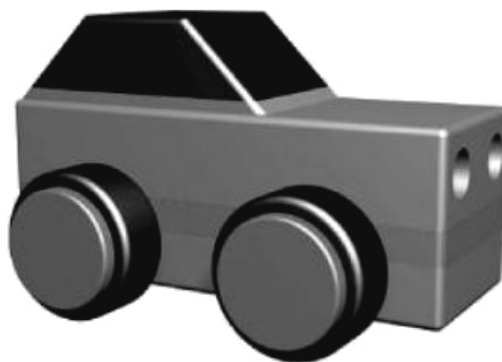
2. Press the top down onto the chassis and slide it around to spread the glue evenly. Once you feel the glue has a good grip press down on the top to seat it against the chassis. The top is slightly narrower than the chassis so be careful to align the sides of the top side to side in the center of the chassis.

3. Place glue on the hubcaps and center the hubcaps on the wheels. Slide the hubcaps around and press down to achieve a tight fit.



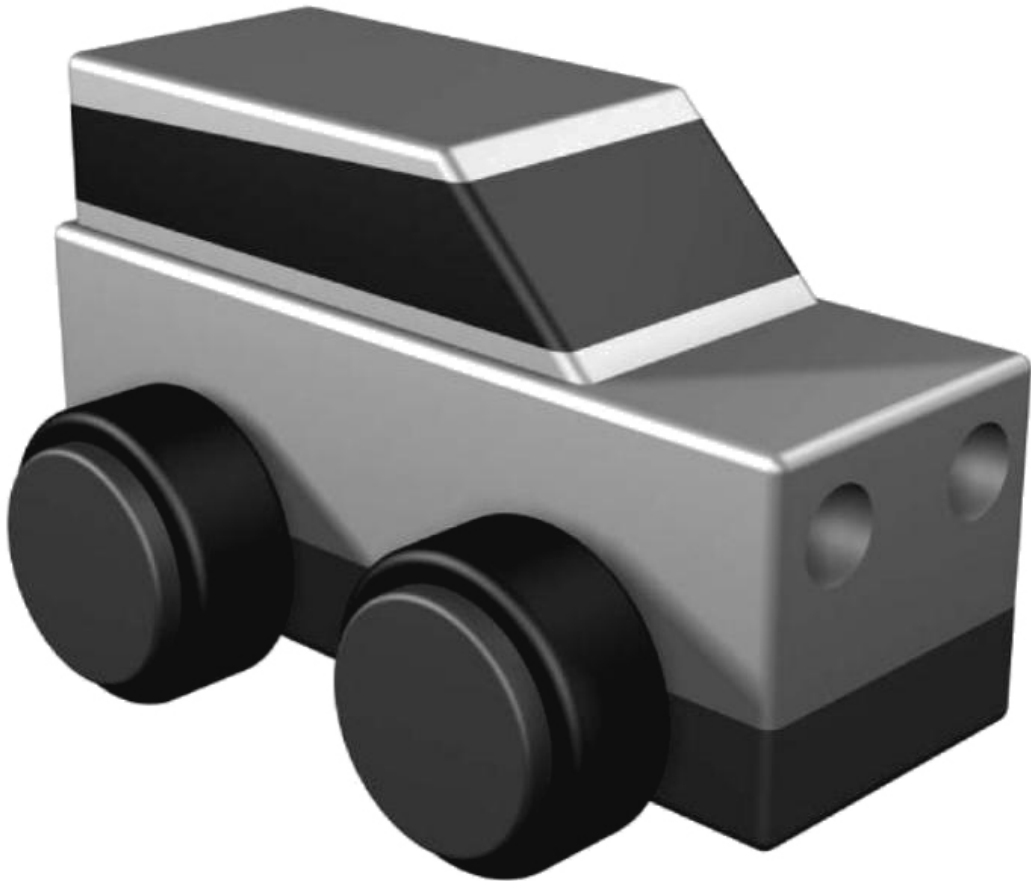
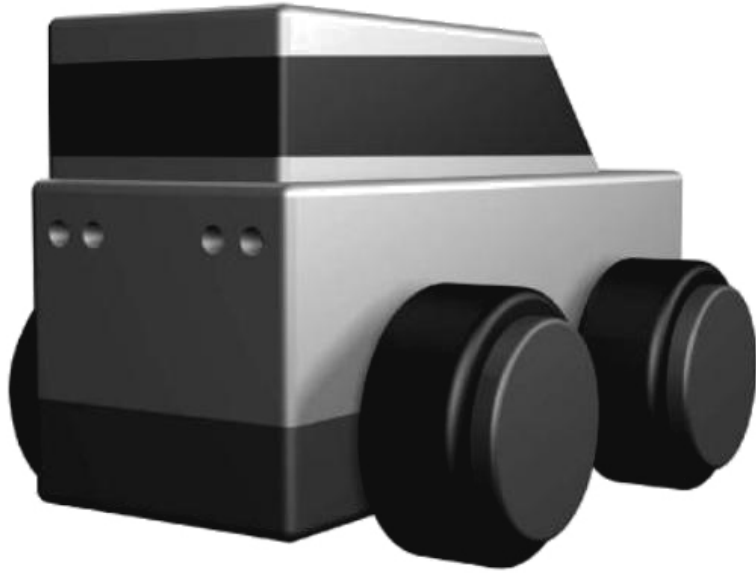
Do not attach wheels to axles until after the painting steps are completed.

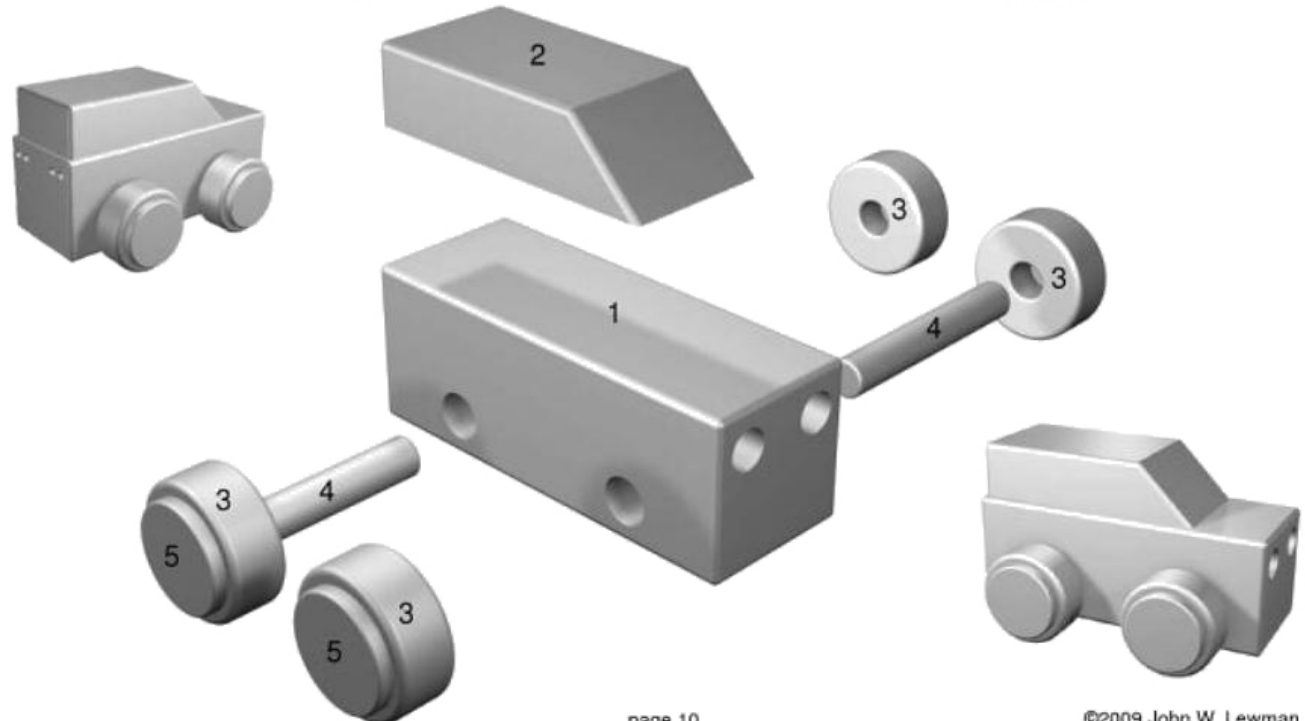
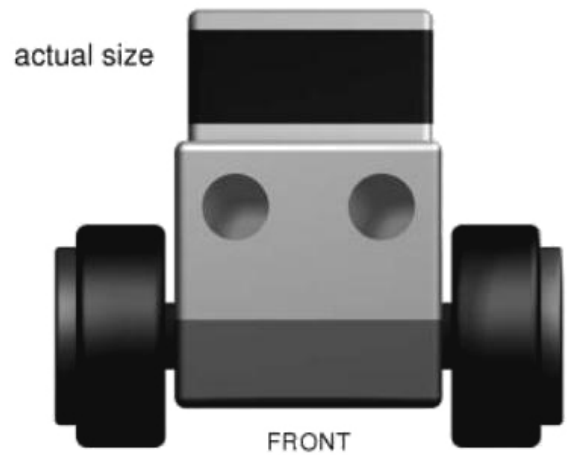
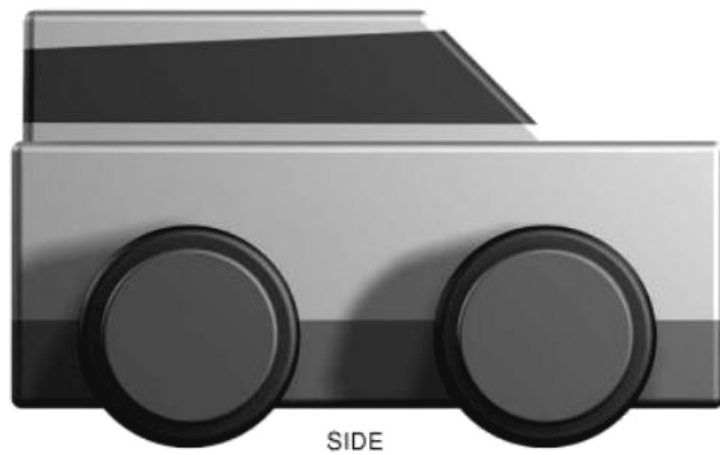
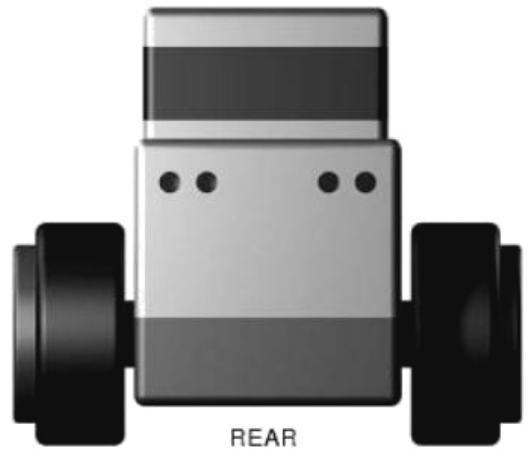
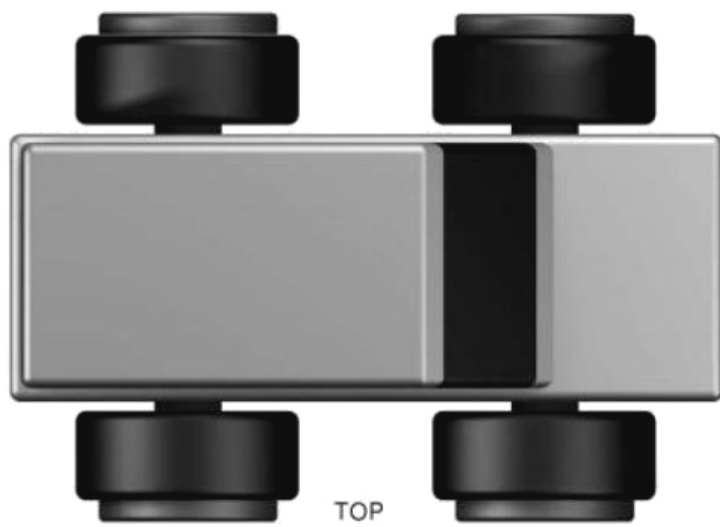
4. The sports car looks great painted and unpainted. Color adds a lot of punch. Paint it a solid color with the wheels a contrasting color. Or it can be painted with multiple colors to create a variety of performance car combos.

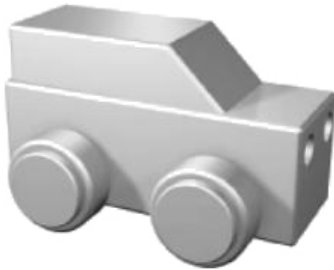


5. First paint the sports car a solid color. Apply 3 coats, sanding between with 200 grit paper. Contrasting colors are masked off with painter's trim masking tape for a clean edge. Water based enamel is used for all colors. The hubcaps are painted with an artist's brush.

Wagon Plan Set





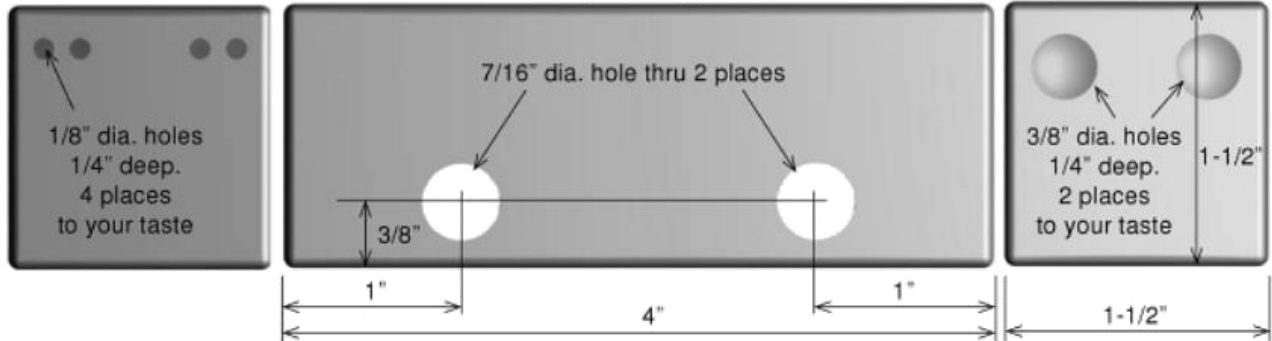


WAGON PARTS LIST

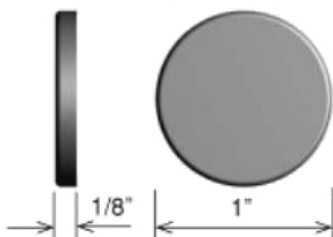
1. CHASSIS	MAKE 1	1-1/2" X 1-1/2" X 4"	PINE
2. TOP	MAKE 1	3/4" X 1-3/8" X 3"	PINE
3. WHEEL	MAKE 4	1/2" X 1-1/4" DIA.	DOWEL
4. AXLE	MAKE 2	2-1/4" X 3/8" DIA.	DOWEL
5. HUBCAP	MAKE 4	1/8" X 1" DIA.	DOWEL

NOTE: All body parts can be sawn from 1x4 and 2x4 lumber. Wheels, axles and hubcaps are sawn from standard diameter dowels. See parts list for sizes.

1. CHASSIS 1-1/2" X 1-1/2" X 4"  
(Make 1)



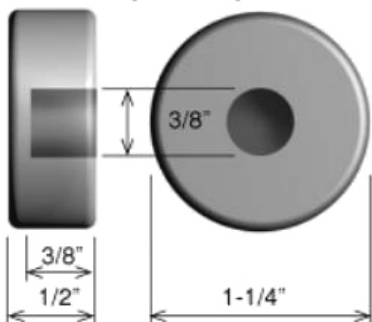
5. HUBCAP  
1/8" X 1" DIAMETER (Make 4)



2. TOP 3/4" X 1-3/8" X 3" (Make 1)

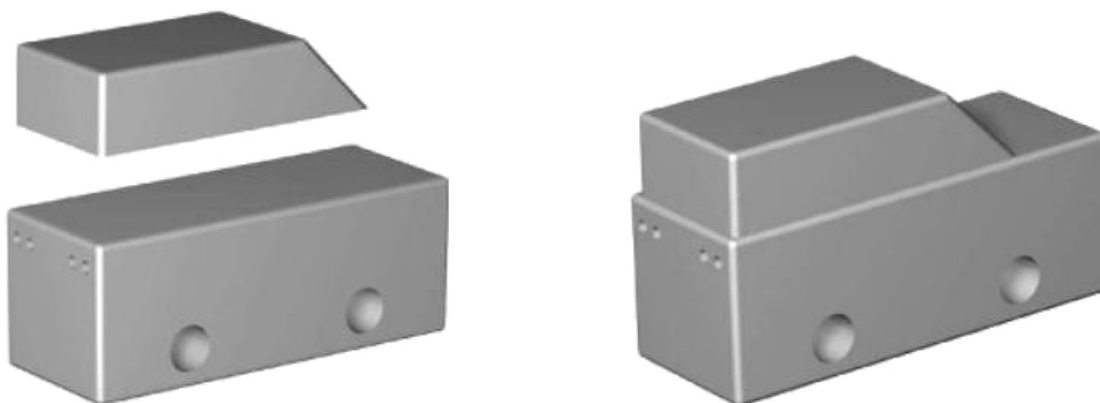


3. WHEEL 1/2" X 1-1/4" DIAMETER  
(Make 4)



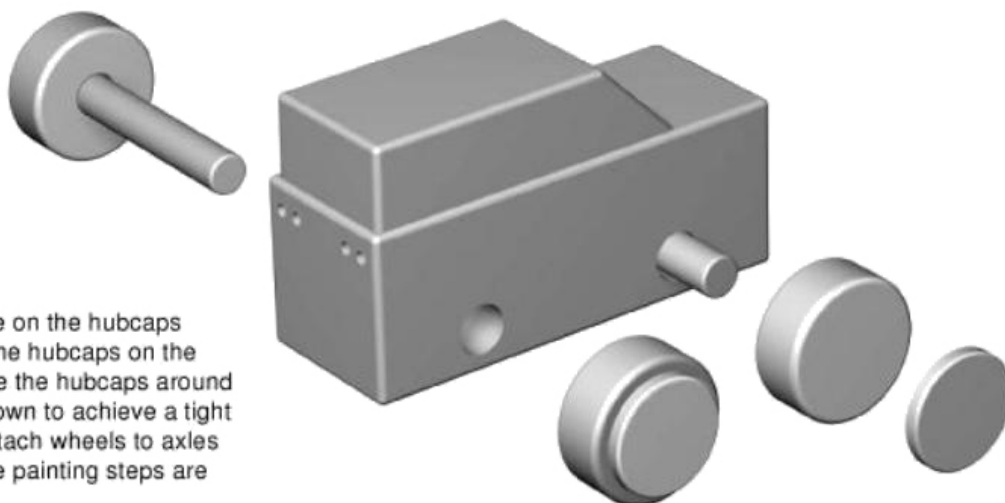
4. AXLE  
2-1/4" X 3/8" DIAMETER  
(Make 2)





1. Round off the edges of the chassis and the top edges of the top slightly as shown above prior to applying the woodworker's glue to the underside of the top. A piece of 100 grit sandpaper wrapped around a small block works well for creating smooth and straight rounded edges.

2. Press the top down onto the chassis and slide it around to spread the glue evenly. Once you feel the glue has a good grip press down on the top to seat it against the chassis. The top is slightly narrower than the chassis so be careful to align the sides of the top side to side in the center of the chassis.

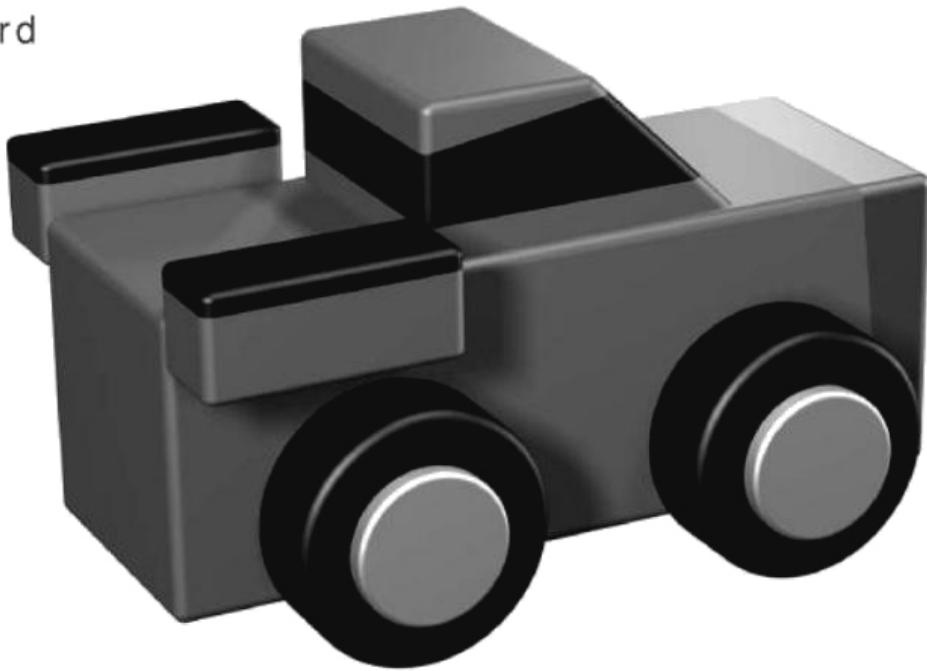


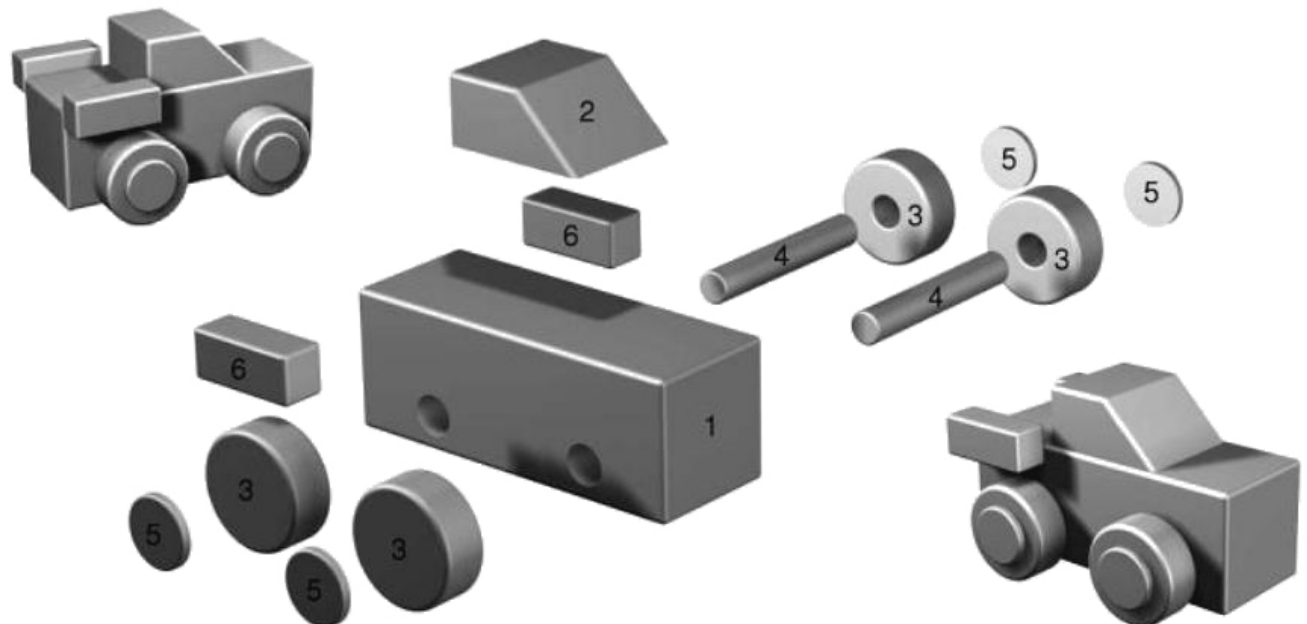
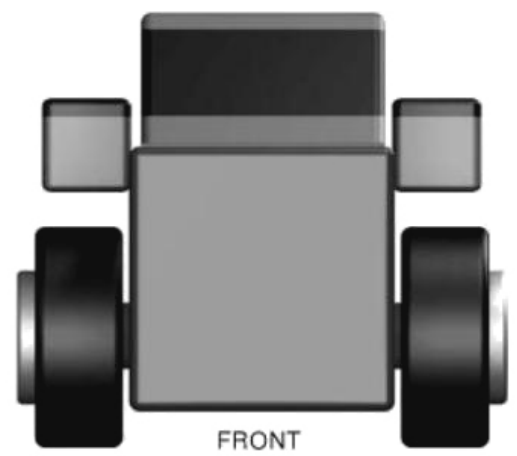
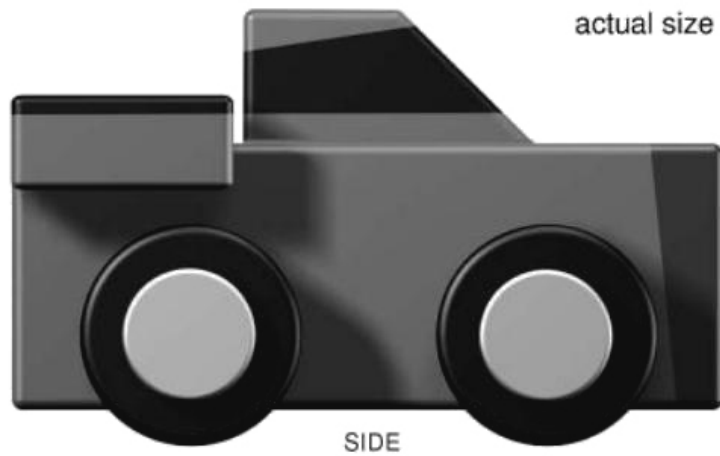
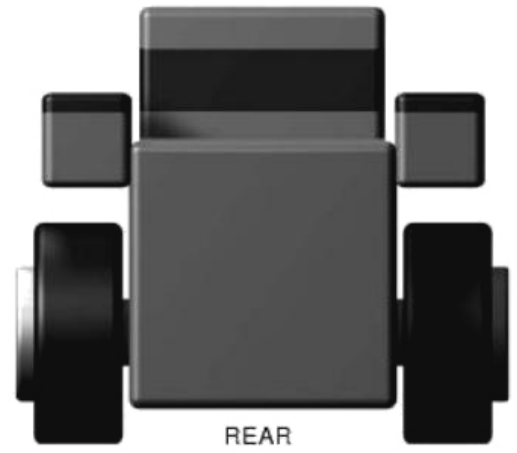
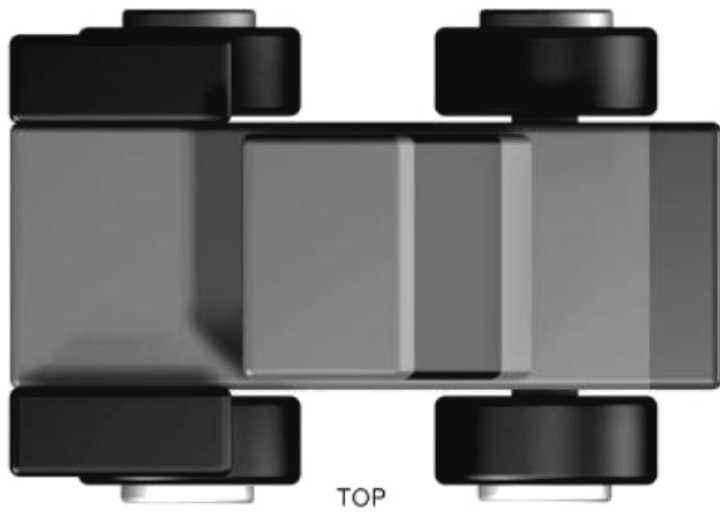
3. Place glue on the hubcaps and center the hubcaps on the wheels. Slide the hubcaps around and press down to achieve a tight fit. Do not attach wheels to axles until after the painting steps are completed.

4. The wagon looks great painted and unpainted. Color adds a lot of punch. Paint it a solid color with the wheels a contrasting color. Or it can be painted with multiple colors to create some striking great looks.



5. First paint the wagon a solid color. Apply 3 coats, sanding between coats with 200 grit paper. Contrasting colors are masked off with painter's trim masking tape for a clean edge. Water based enamel is used for all colors. The hubcaps are painted with an artist's brush without masking.





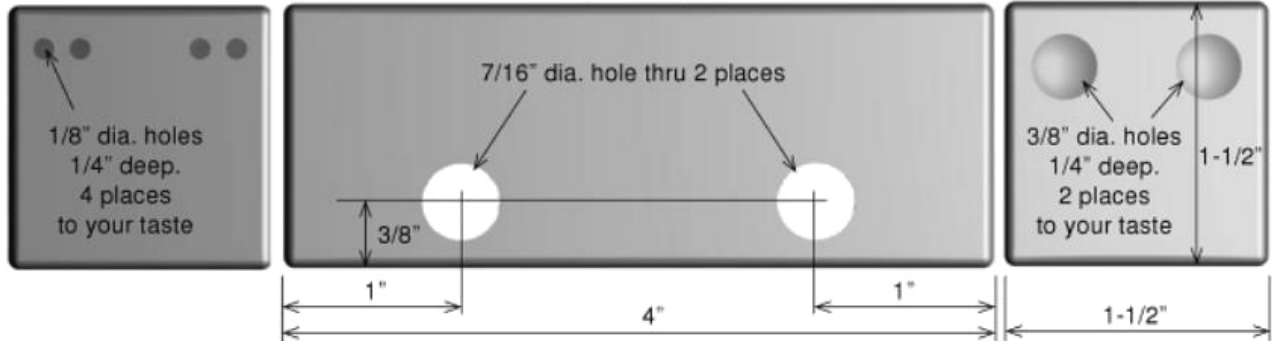


NOTE: All body parts can be sawn from 1x4 and 2x4 lumber. Wheels, axles and hubcaps are sawn from standard diameter dowels. See parts list for sizes.

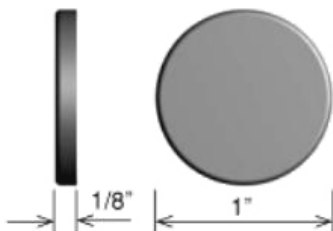
PICKUP PARTS LIST

1. CHASSIS	MAKE 1	1-1/2" X 1-1/2" X 4"	PINE
2. TOP	MAKE 1	3/4" X 1-3/8" X 1-5/8"	PINE
3. WHEEL	MAKE 4	1/2" X 1-1/4" DIA.	DOWEL
4. AXLE	MAKE 2	2-1/4" X 3/8" DIA.	DOWEL
5. HUBCAP	MAKE 4	1/8" X 1" DIA.	DOWEL
6. FENDER	MAKE 2	1/2" X 1/2" X 1-1/4"	PINE

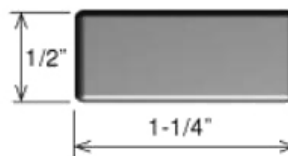
1. CHASSIS 1-1/2" X 1-1/2" X 4"  
(Make 1)



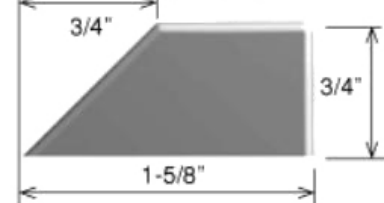
5. HUBCAP  
1/8" X 1" DIAMETER (Make 4)



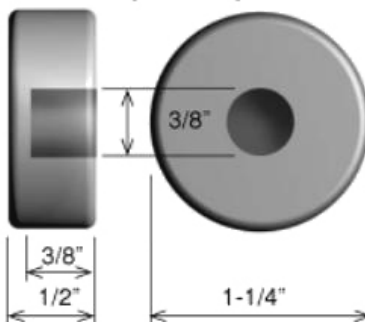
6. FENDER  
1/2" X 1/2" X 1-1/4"  
(Make 2)



2. TOP  
3/4" X 1-3/8" X 1-5/8"  
(Make 1)



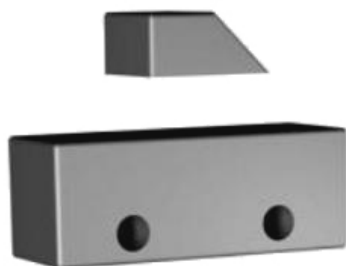
3. WHEEL 1/2" X 1-1/4" DIAMETER  
(Make 4)



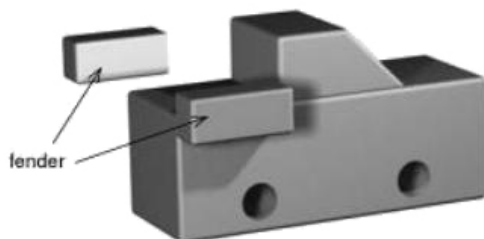
4. AXLE  
2-1/4" X 3/8" DIAMETER  
(Make 2)



1. Round off the edges of the chassis and the top edges of the top slightly as shown below prior to applying the woodworker's glue to the underside of the top. A piece of 100 grit sandpaper wrapped around a small block works well for creating smooth and straight rounded edges.



2. Press the top down onto the chassis and slide it around to spread the glue evenly. Once you feel the glue has a good grip press down on the top to seat it against the chassis. The top is slightly narrower than the chassis so be careful to align the sides of the top side to side in the center of the chassis.

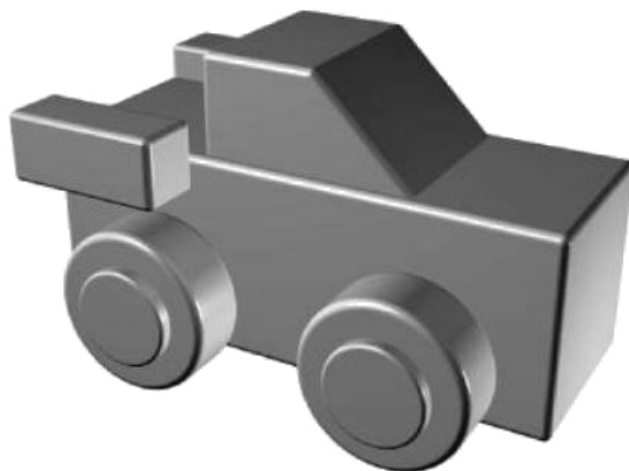


3. Apply glue to fenders and press each into place on the chassis sliding each fender slightly to spread the glue evenly. See side view page 14 for exact fender positioning.

Once you feel the glue has a good grip press down firmly to seat each part on the chassis. Add the top to the chassis repeating the same steps.



4. Place glue on the hubcaps and center the hubcaps on the wheels. Slide the hubcap around and press down to achieve a tight fit. Do not fit wheels and axles to the chassis until after the painting steps are completed.

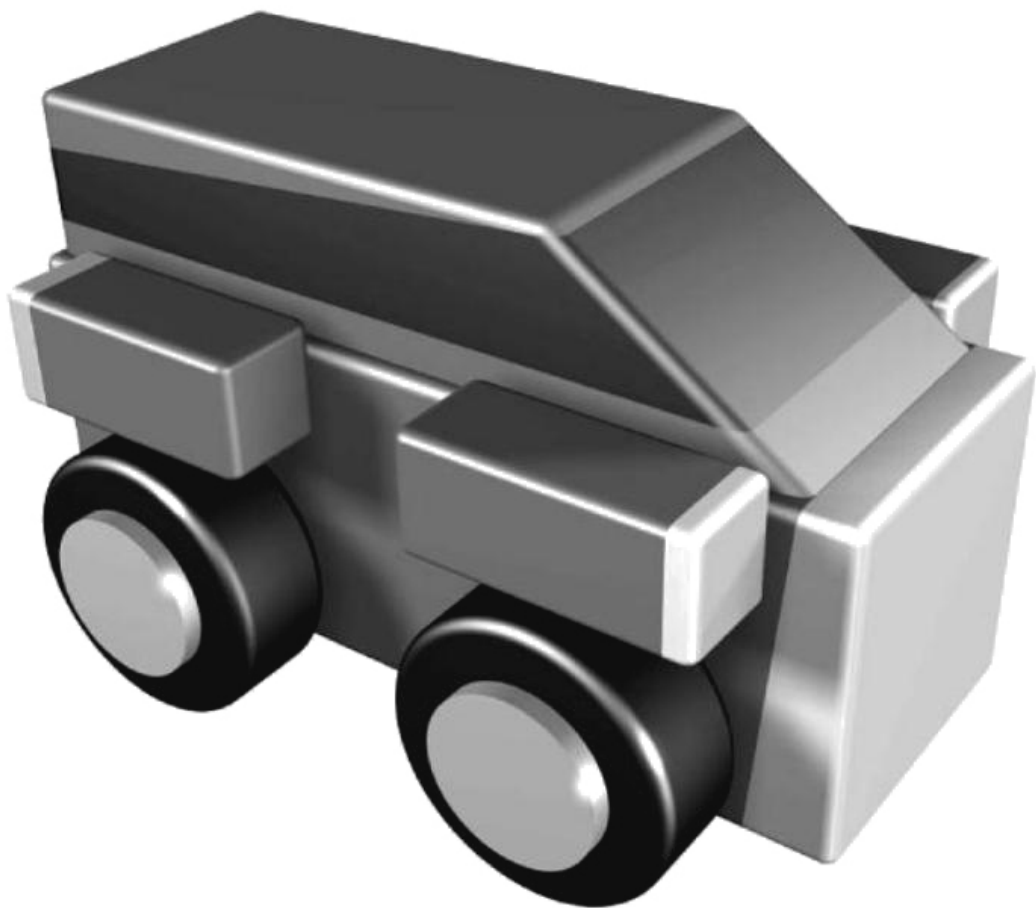
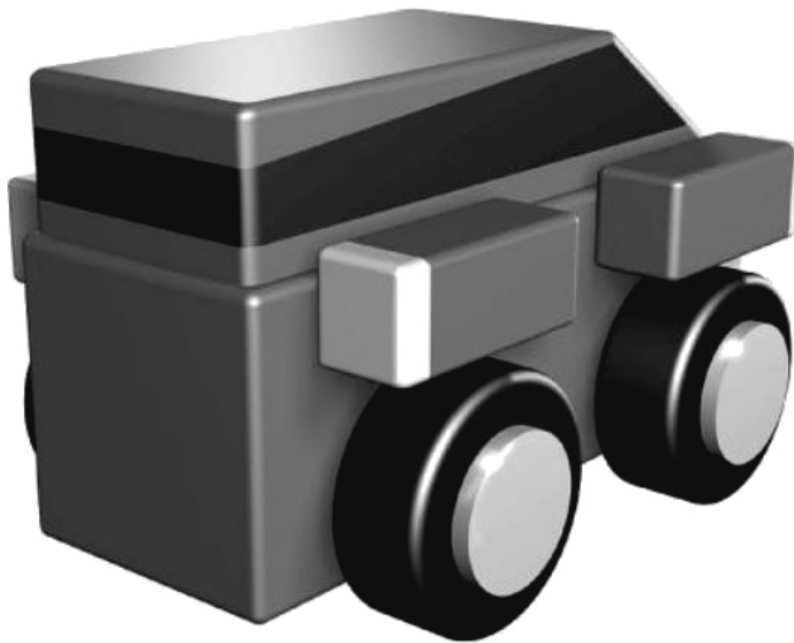


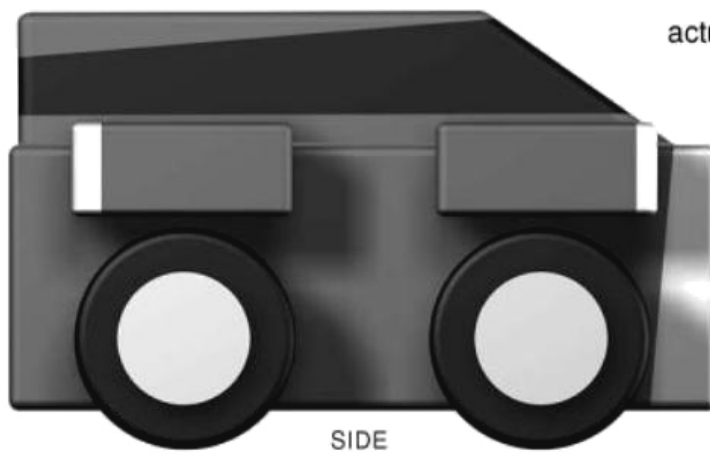
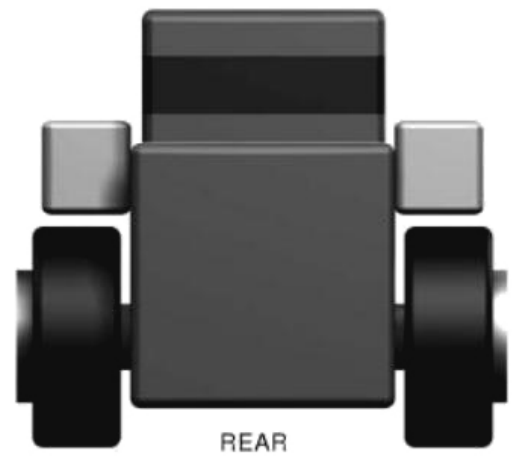
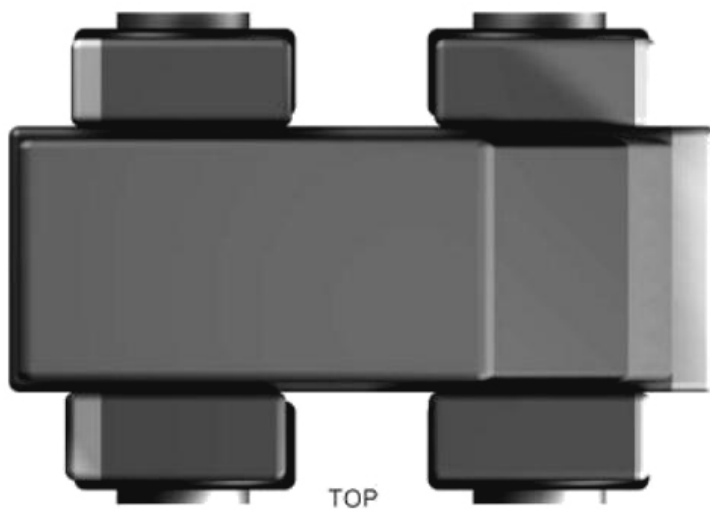
5. Painting the pickup is a lot of fun. It looks great both painted and unpainted but color adds a lot of punch. The pickup can be painted a solid color with the wheels and axles a contrasting solid color. Or the pickup can be painted with multiple colors to create some great looks.



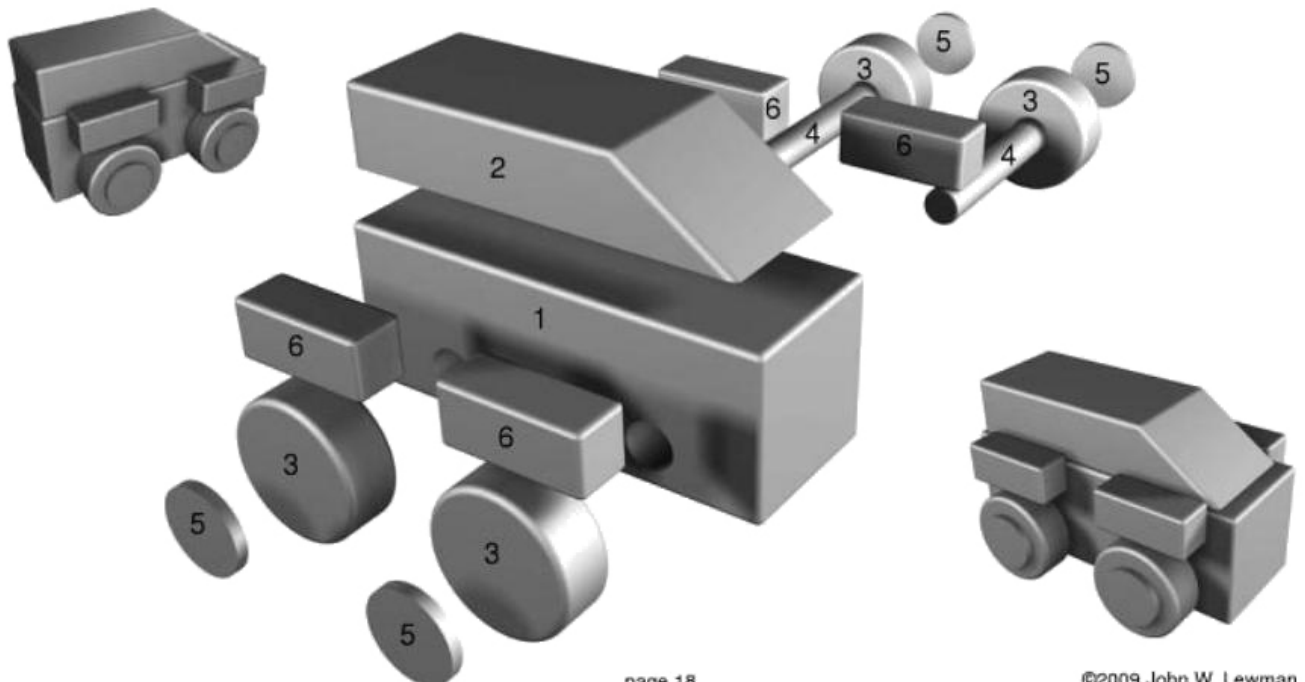
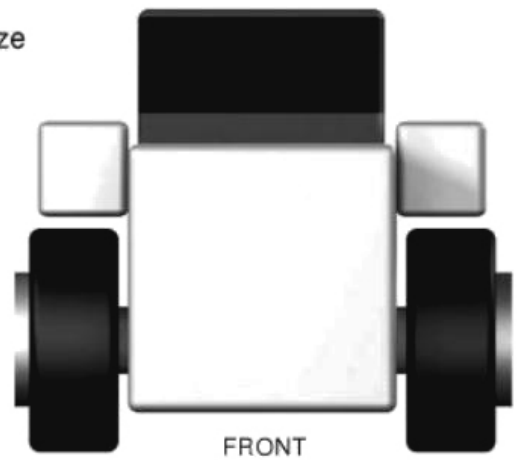
6. The pickup shown is first totally painted a solid color. Apply at least 3 coats, sanding between with 200 grit paper. Once dry the contrasting color areas are masked off using painter's trim masking tape for a clean edge after the tape is pulled off. Water based enamel is used for all of the colors. The hubcaps are painted with a small artist's brush without masking.

Minivan Plan Set





actual size



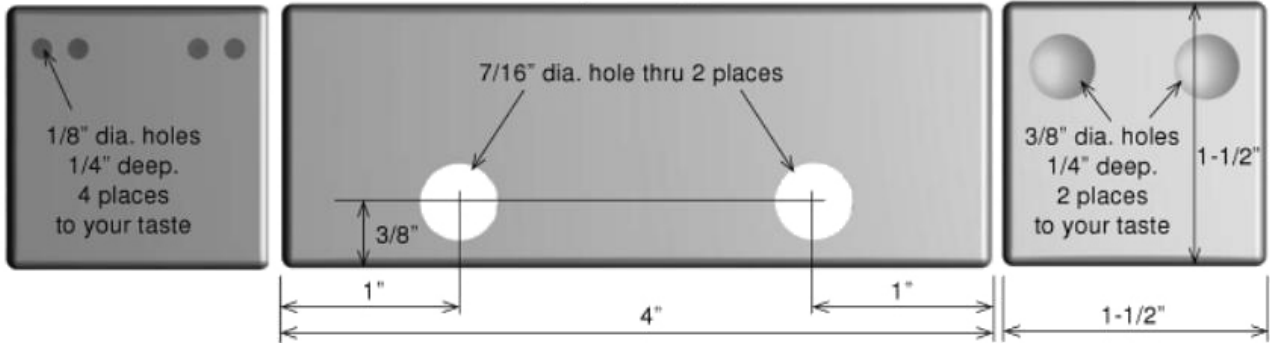


MINIVAN PARTS LIST

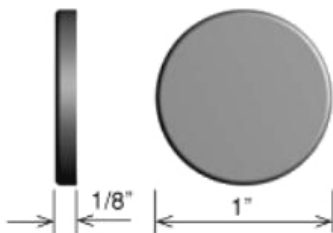
1. CHASSIS	MAKE 1	1-1/2" X 1-1/2" X 4"	PINE
2. TOP	MAKE 1	3/4" X 1-3/8" X 3-13/16"	PINE
3. WHEEL	MAKE 4	1/2" X 1-1/4" DIA.	DOWEL
4. AXLE	MAKE 2	2-1/4" X 3/8" DIA.	DOWEL
5. HUBCAP	MAKE 4	1/8" X 1" DIA.	DOWEL
6. FENDER	MAKE 4	1/2" X 1/2" X 1-1/4"	PINE

NOTE: All body parts can be sawn from 1x4 and 2x4 lumber. Wheels, axles and hubcaps are sawn from standard diameter dowels. See parts list for sizes.

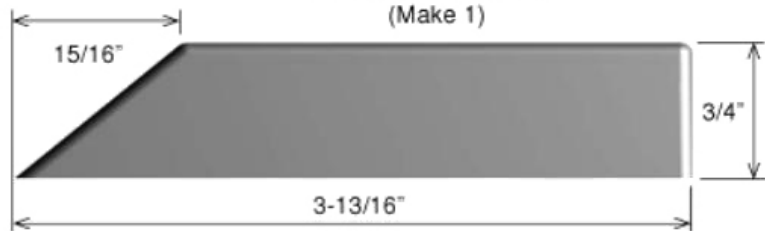
1. CHASSIS 1-1/2" X 1-1/2" X 4"  
(Make 1)



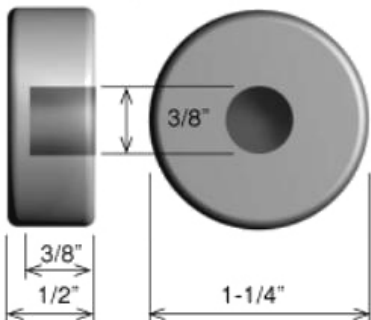
5. HUBCAP  
1/8" X 1" DIAMETER (Make 4)



2. TOP  
3/4" X 1-3/8" X 3-13/16"  
(Make 1)



3. WHEEL 1/2" X 1-1/4" DIAMETER  
(Make 4)

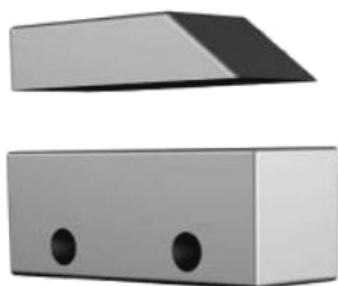


6. FENDER  
1/2" X 1/2" X 1-1/4"  
(Make 4)



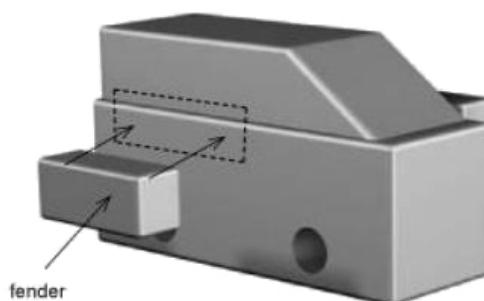
4. AXLE  
2-1/4" X 3/8" DIAMETER  
(Make 2)





1. Round off the edges of the chassis and the top edges of the top slightly as shown above prior to applying the woodworker's glue to the underside of the top.

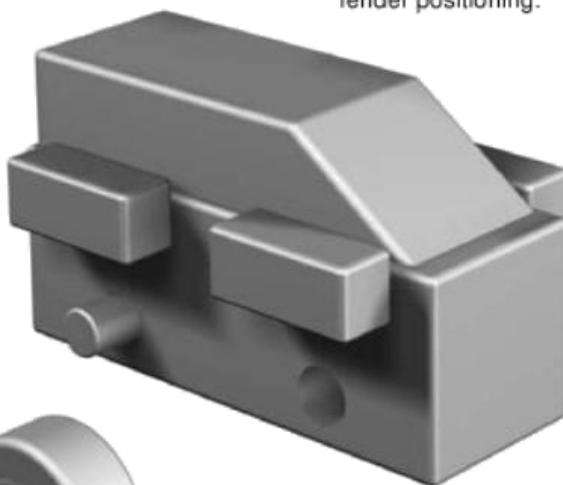
A piece of 100 grit sandpaper wrapped around a small block works well for creating smooth and straight rounded edges.



fender

2. Press the top down onto the chassis and slide it around to spread the glue evenly. Once you feel the glue has a good grip press down on the top to seat it against the chassis. The top is slightly narrower than the chassis so be careful to align the sides of the top side to side in the center of the chassis.

3. Apply glue to fenders and press each fender into place on the chassis sliding each fender slightly to spread the glue evenly. See side view on page 18 for fender positioning.



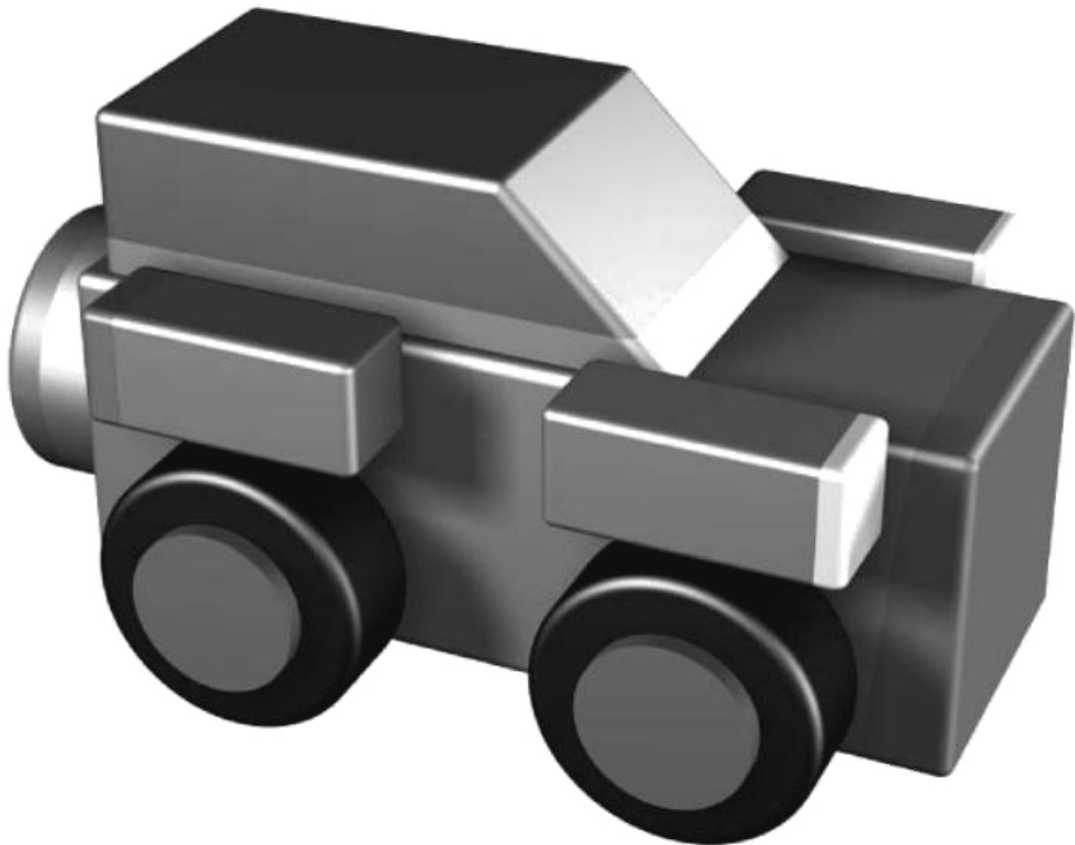
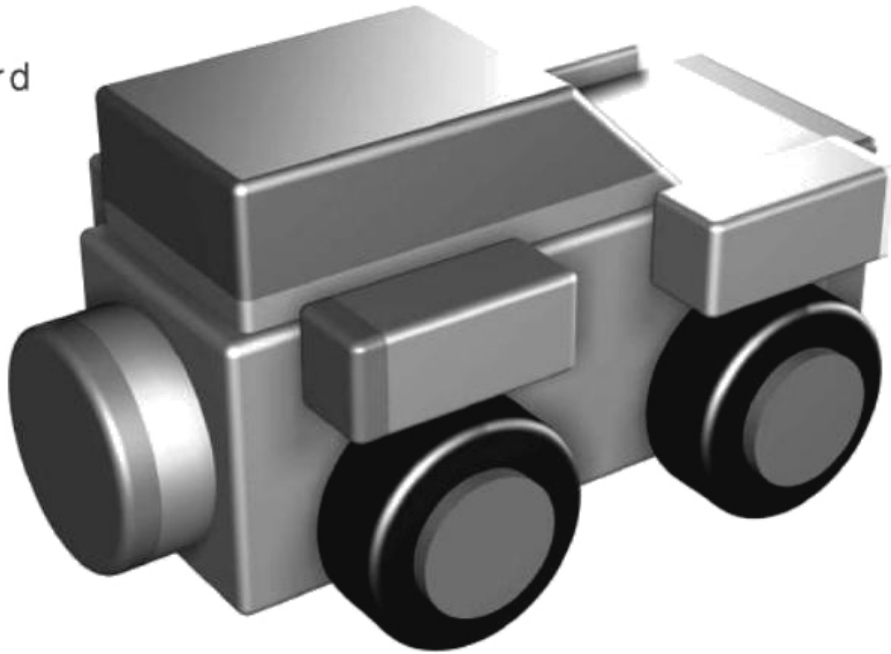
4. Place glue on the hubcaps and center the hubcaps on the wheels. Slide the hubcaps around and press down to achieve a tight fit. Do not attach wheels to axles until after the painting steps are completed.

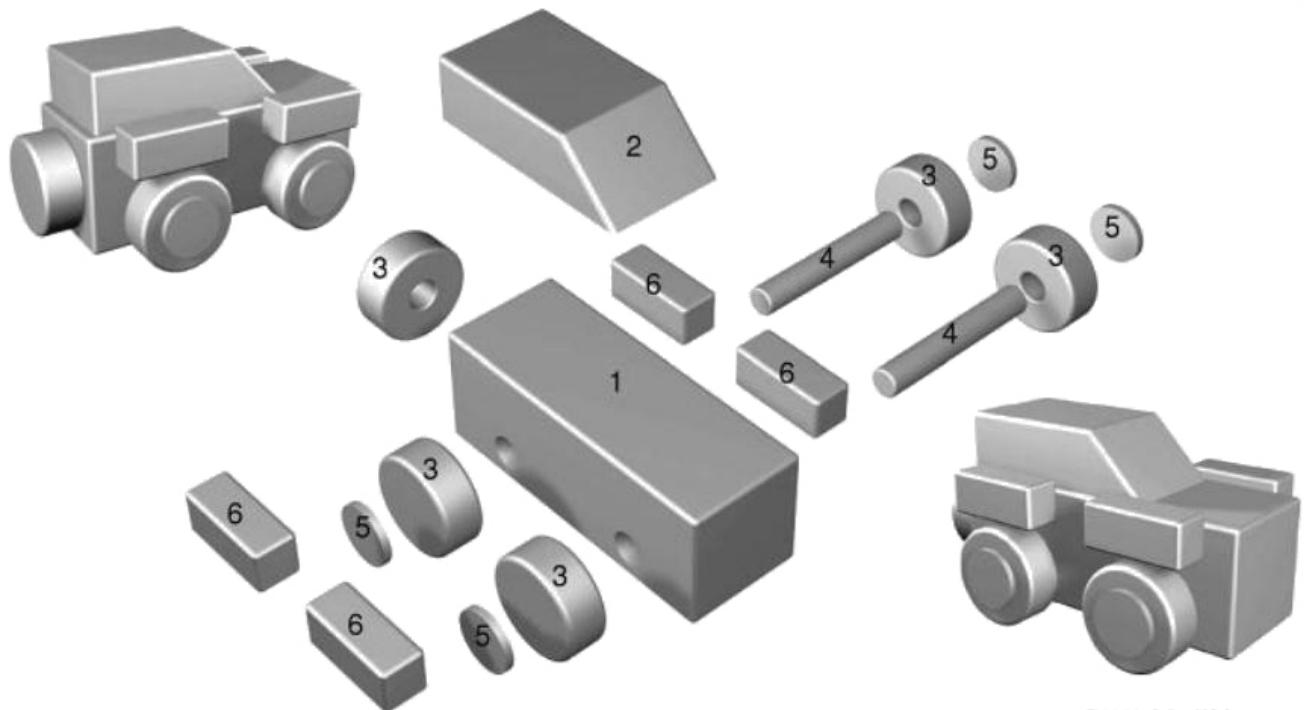
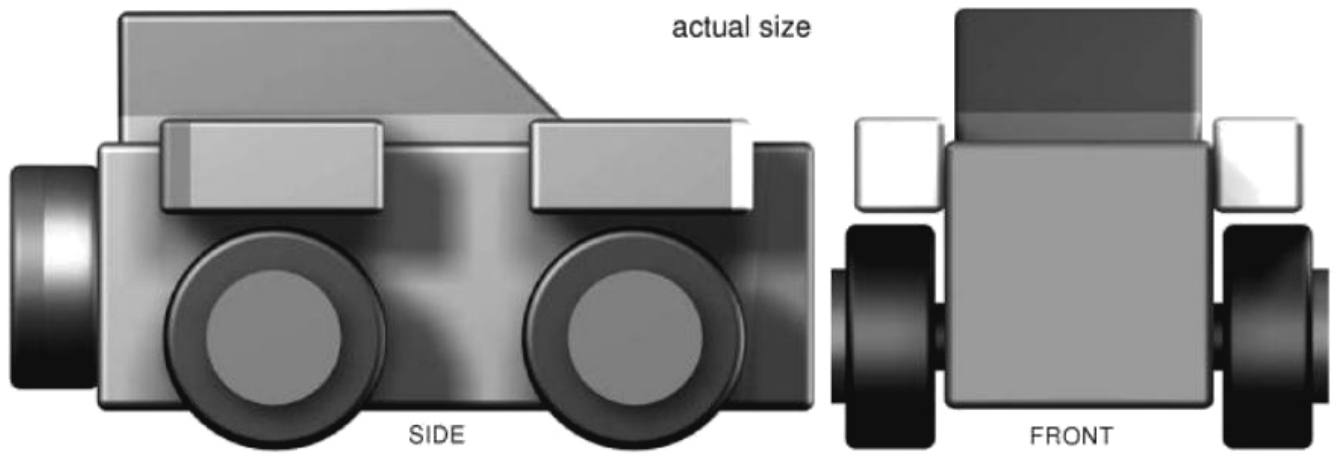
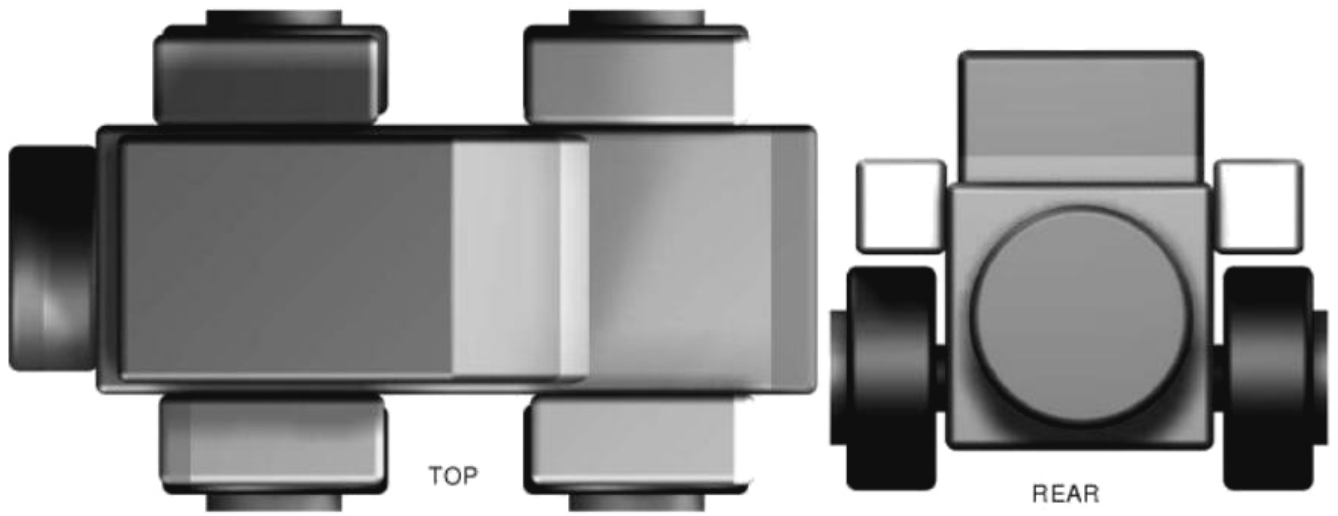


5. The minivan looks great painted and unpainted. Color adds a lot of punch. Paint it a solid color with the wheels a contrasting color. Or paint the minivan with multiple colors to create your own flower child ride.



6. First paint the minivan a solid color. Apply 3 coats, sanding between with 200 grit paper. Contrasting colors are masked off with painter's trim masking tape for a clean edge. Water based enamel is used for all colors. The hubcaps are painted with an artist's brush.





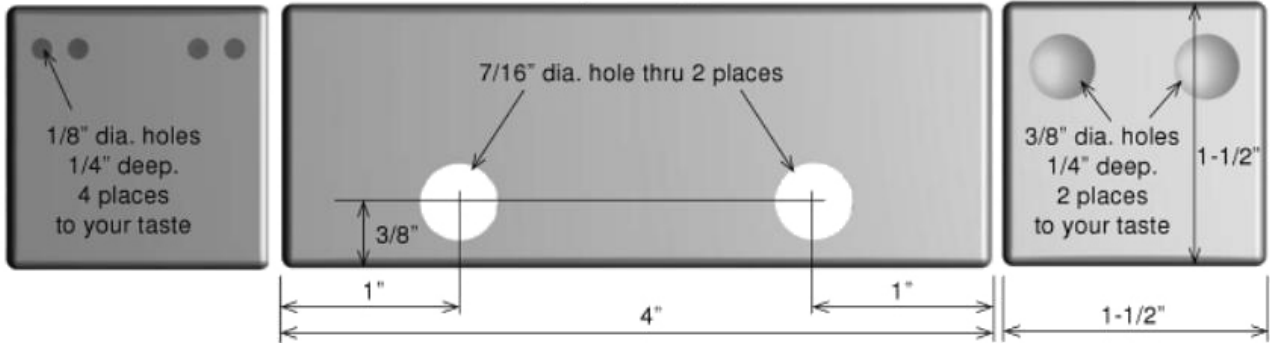


SUV PARTS LIST

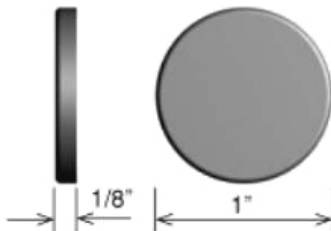
1. CHASSIS	MAKE 1	1-1/2" X 1-1/2" X 4"	PINE
2. TOP	MAKE 1	3/4" X 1-3/8" X 2-5/8"	PINE
3. WHEEL	MAKE 5	1/2" X 1-1/4" DIA.	DOWEL
4. AXLE	MAKE 2	2-1/4" X 3/8" DIA.	DOWEL
5. HUBCAP	MAKE 4	1/8" X 1" DIA.	DOWEL
6. FENDER	MAKE 4	1/2" X 1/2" X 1-1/4"	PINE

NOTE: All body parts can be sawn from 1x4 and 2x4 lumber. Wheels, axles and hubcaps are sawn from standard diameter dowels. See parts list for sizes.

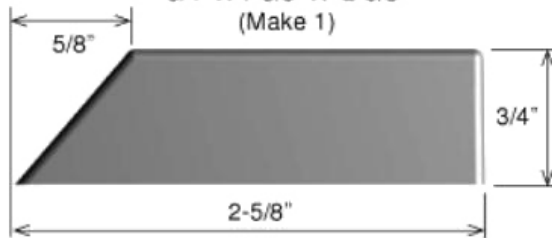
1. CHASSIS 1-1/2" X 1-1/2" X 4"  
(Make 1)



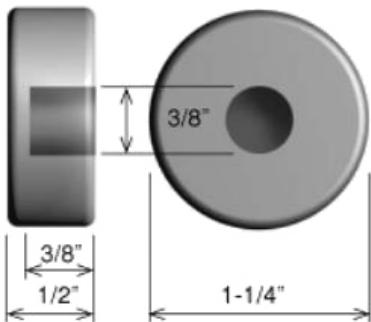
5. HUBCAP  
1/8" X 1" DIAMETER (Make 4)



2. TOP  
3/4" X 1-3/8" X 2-5/8"  
(Make 1)



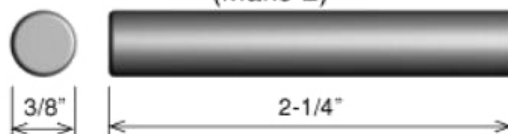
3. WHEEL 1/2" X 1-1/4" DIAMETER  
(Make 5)

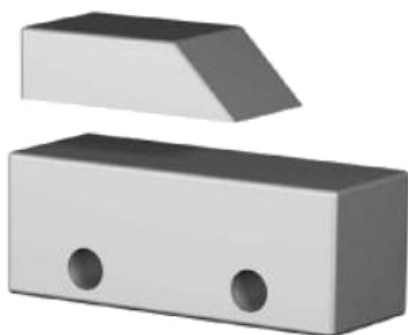


6. FENDER  
1/2" X 1/2" X 1-1/4"  
(Make 4)

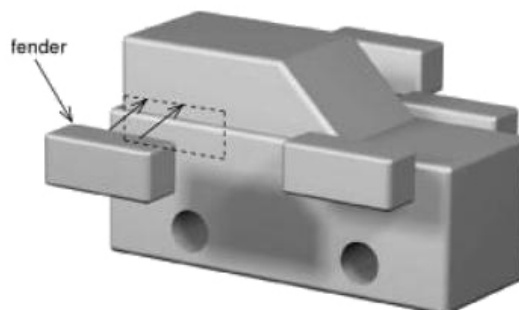


4. AXLE  
2-1/4" X 3/8" DIAMETER  
(Make 2)



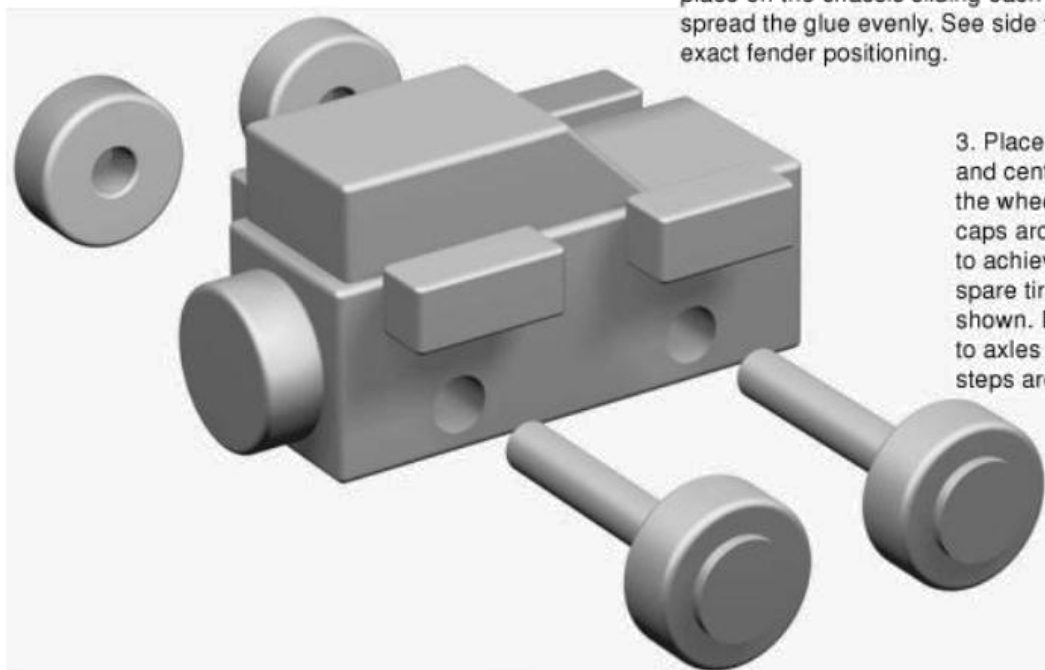


1. Round off the edges of the chassis and the top edges of the top slightly as shown above prior to applying the woodworker's glue to the underside of the top. A piece of 100 grit sandpaper wrapped around a small block works well for creating smooth and straight rounded edges.



2. Press the top down onto the chassis and slide it around to spread the glue evenly. Once you feel the glue has a good grip press down on the top to seat it against the chassis. The top is slightly narrower than the chassis so be careful to align the sides of the top side to side in the center of the chassis.

Apply glue to fenders and press each fender into place on the chassis sliding each fender slightly to spread the glue evenly. See side view page 22 for exact fender positioning.



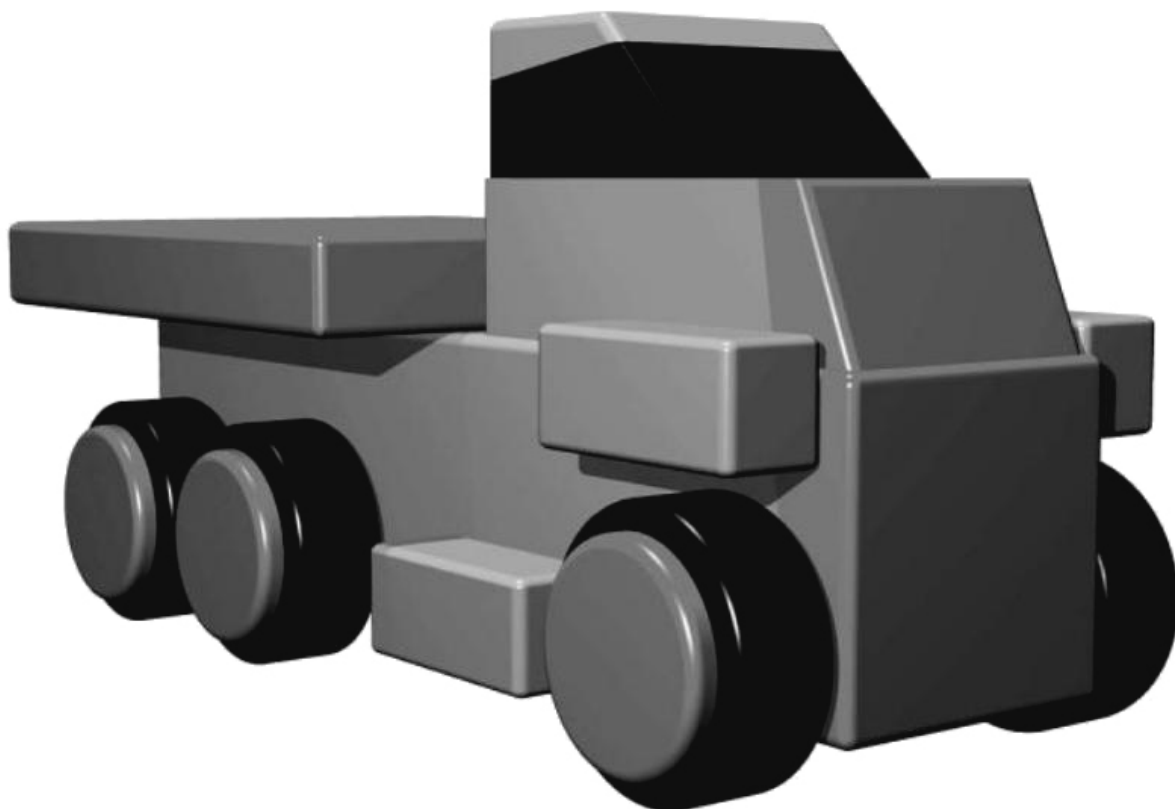
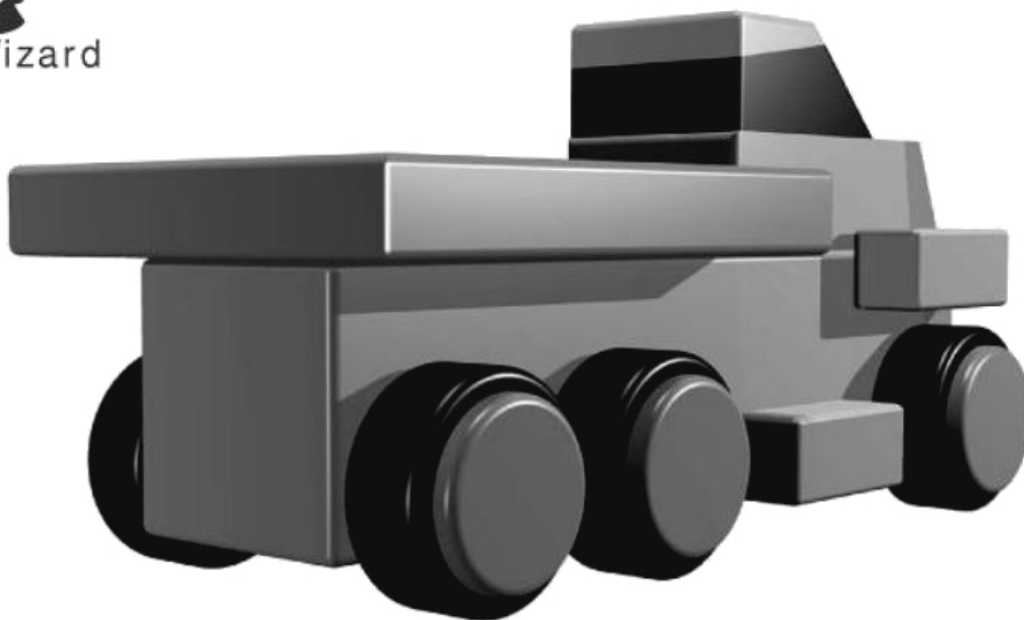
3. Place glue on the hubcaps and center the hubcaps on the wheels. Slide the hubcaps around and press down to achieve a tight fit. Glue the spare tire to back of SUV as shown. Do not attach wheels to axles until after the painting steps are completed.

4. The SUV looks great painted and unpainted. Color adds a lot of punch. Paint it a solid color with the wheels a contrasting color. Or it can be painted with multiple colors to create interesting patterns and combinations.



5. First paint the SUV a solid color. Apply 3 coats, sanding between with 200 grit paper. Contrasting colors are masked off with painter's trim masking tape for a clean edge. Water based enamel is used for all colors. The hubcaps are painted with an artist's brush.

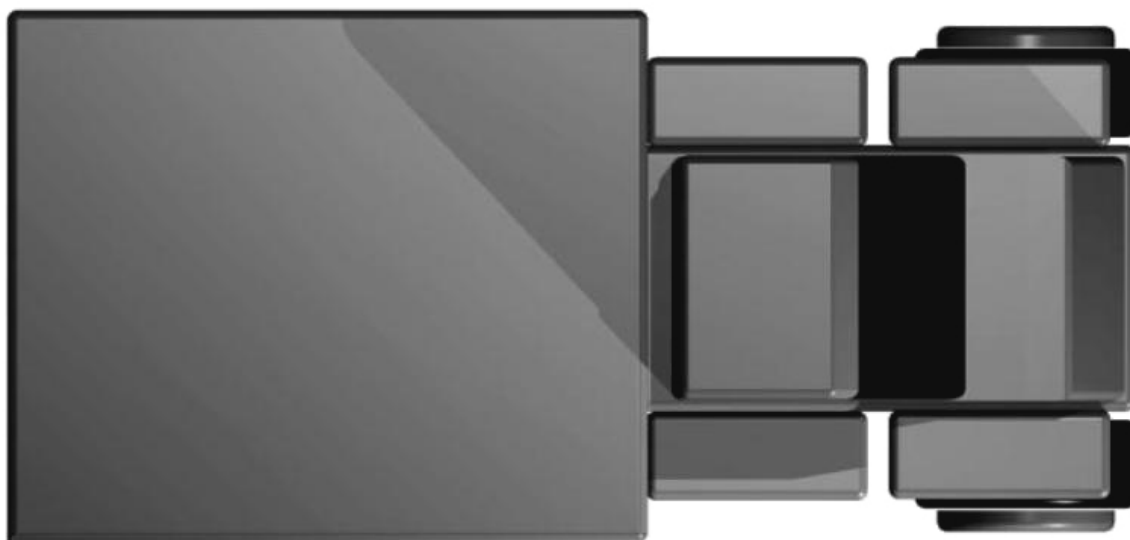
Flatbed Truck Plan Set



## FLATBED TRUCK PARTS LIST

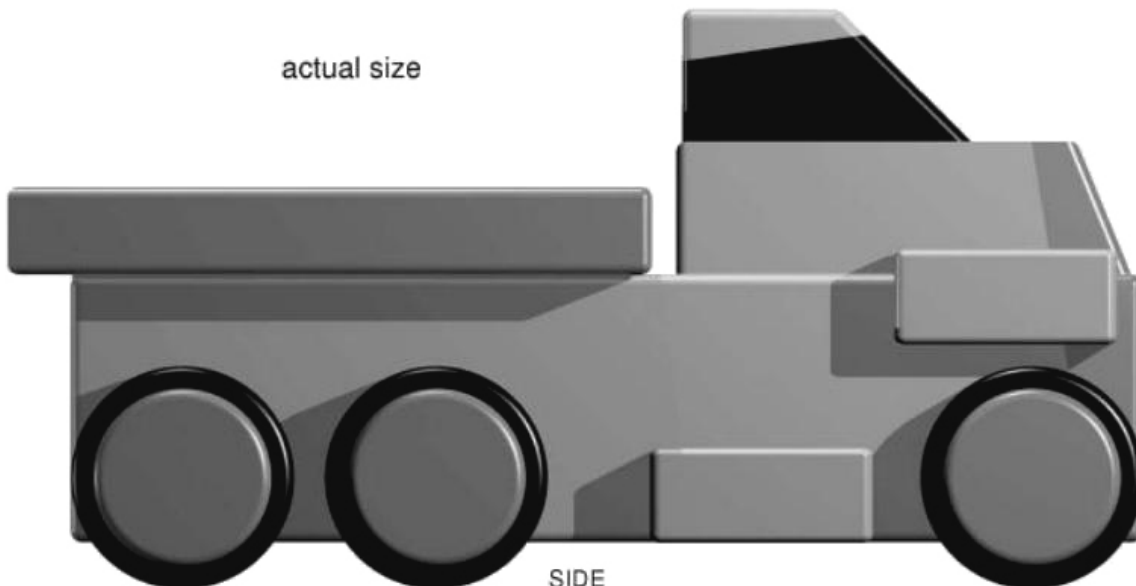
1. CHASSIS	MAKE 1	1-1/2" X 1-1/2" X 6"	PINE
2. HOOD	MAKE 1	3/4" X 1-3/8" X 2-9/16"	PINE
3. TOP	MAKE 1	3/4" X 1-3/8" X 1-11/16"	PINE
4. BED	MAKE 1	1/2" X 3" X 3-5/8"	PINE
5. FEN-TANK	MAKE 4	1/2" X 1/2" X 1-1/4"	PINE
6. AXLE	MAKE 3	2-1/4" X 3/8" DIAMETER	DOWEL
7. WHEEL	MAKE 6	1/2" X 1-1/4" DIAMETER	DOWEL
8. HUBCAP	MAKE 6	1/8" X 1" DIAMETER	DOWEL

NOTE: All body parts can be sawn from 1x4 and 2x4 lumber. Wheels, axles and hubcaps are sawn from standard diameter dowels. See parts list for sizes.

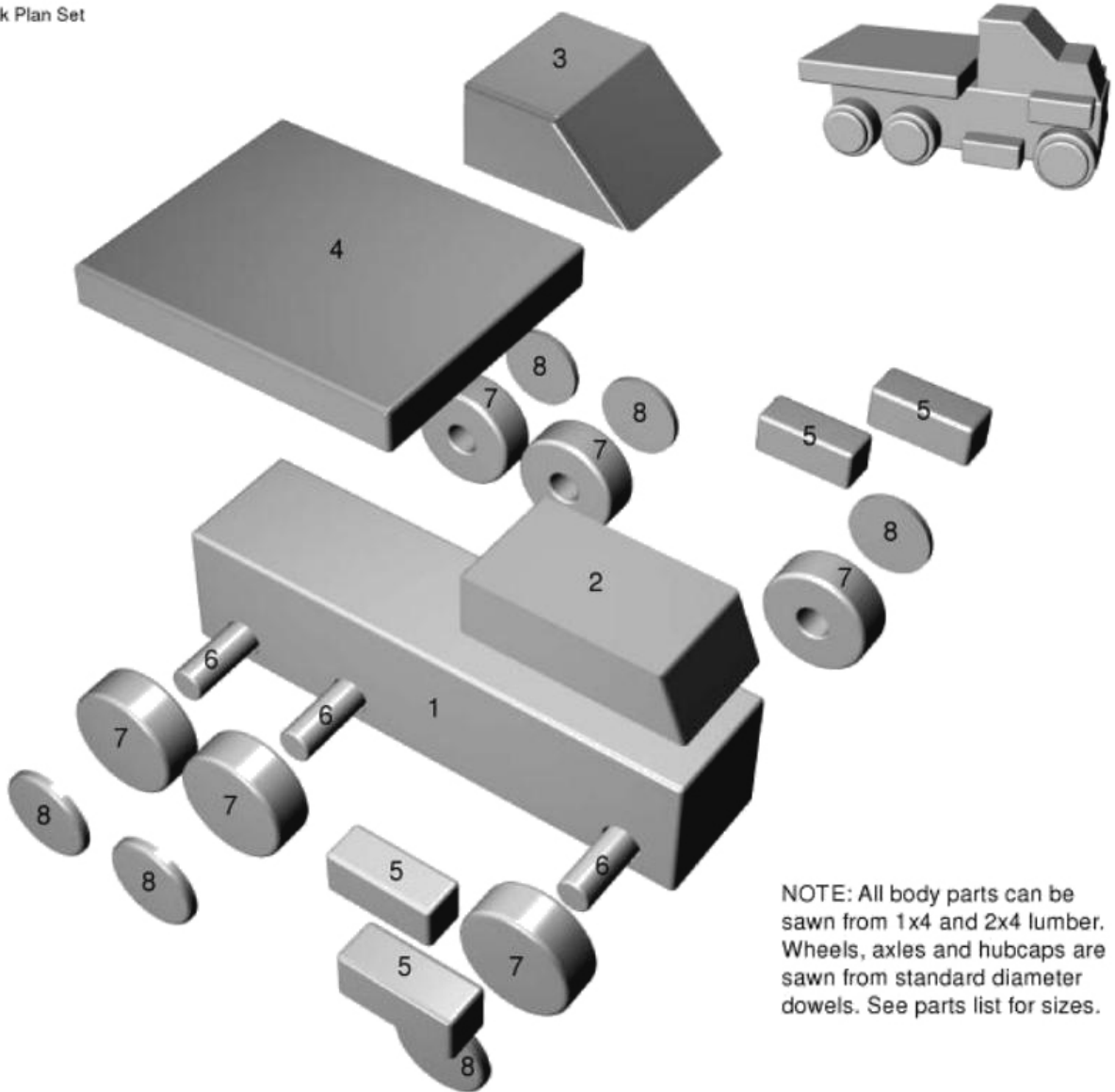


TOP

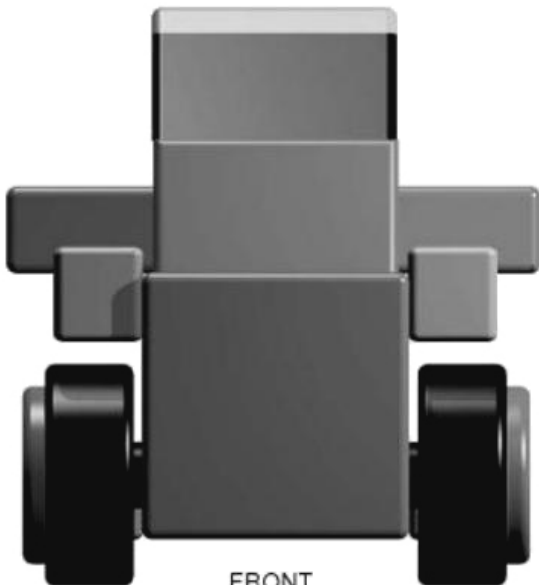
actual size



SIDE

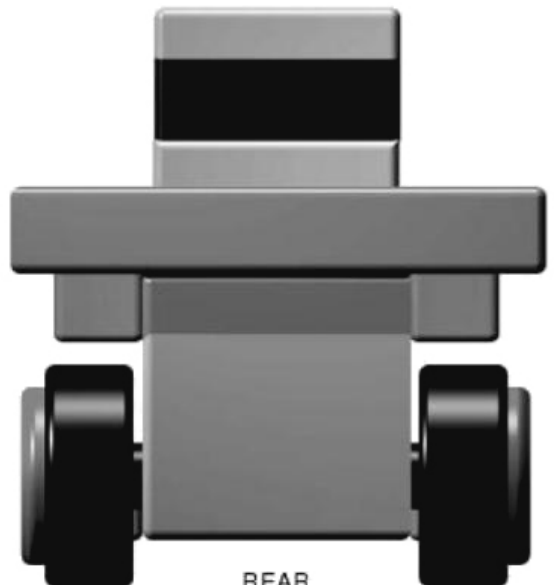


NOTE: All body parts can be  
sawn from 1x4 and 2x4 lumber.  
Wheels, axles and hubcaps are  
sawn from standard diameter  
dowels. See parts list for sizes.

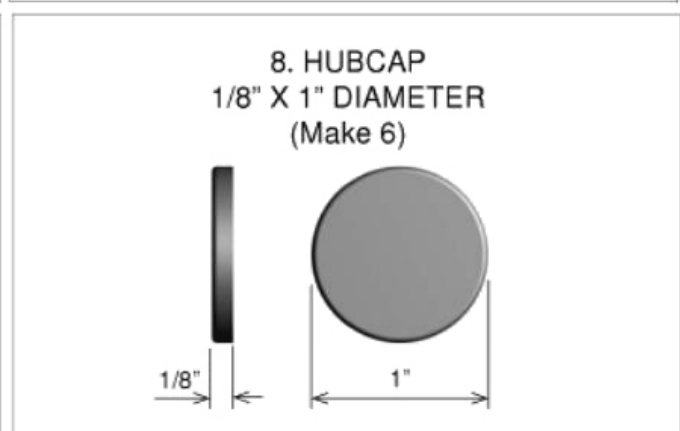
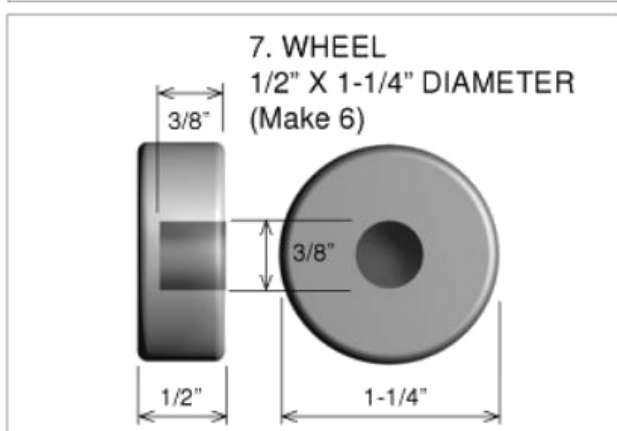
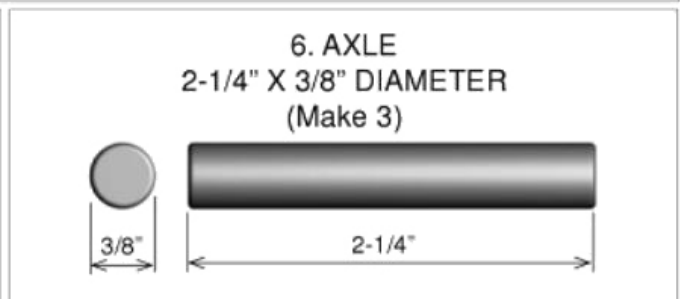
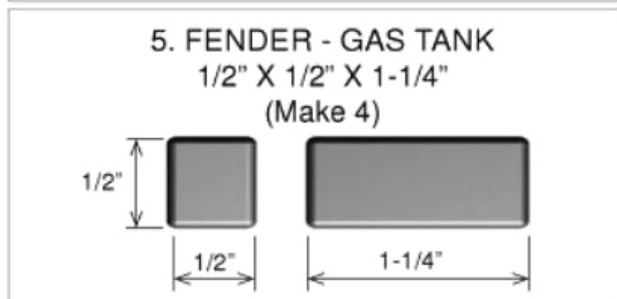
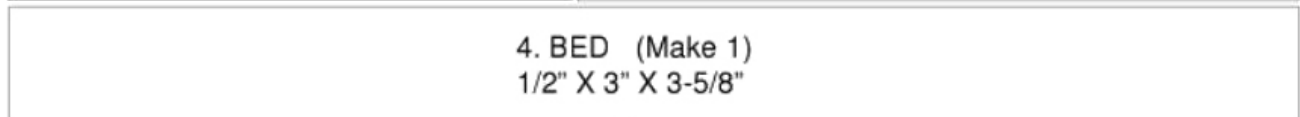
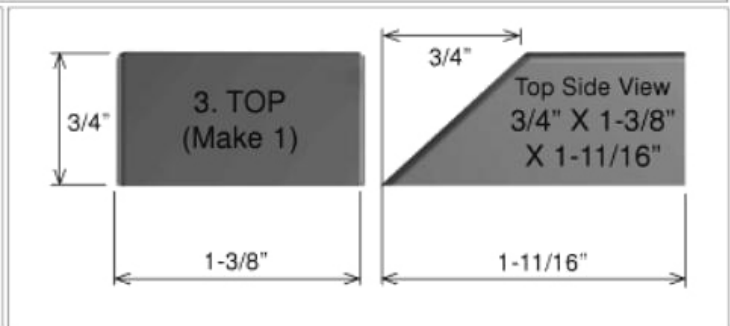
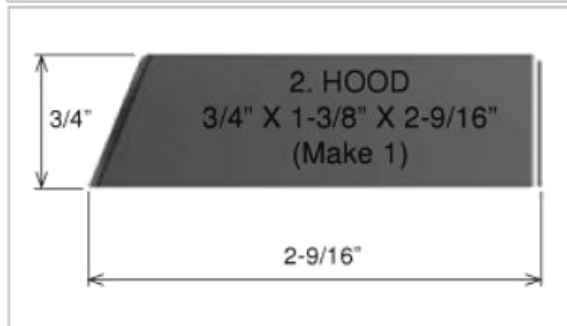
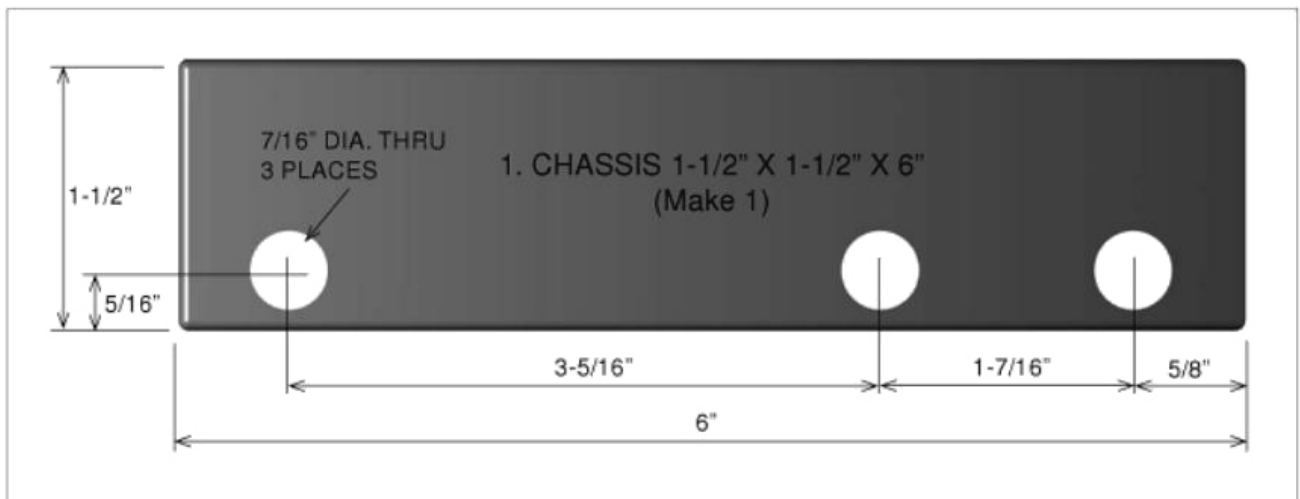


FRONT

actual size



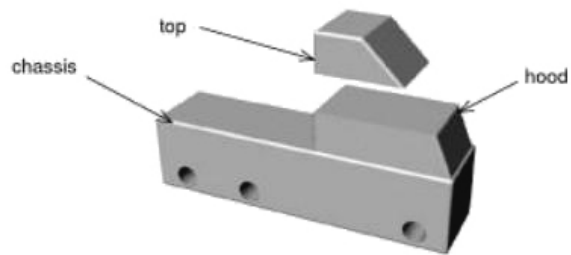
REAR



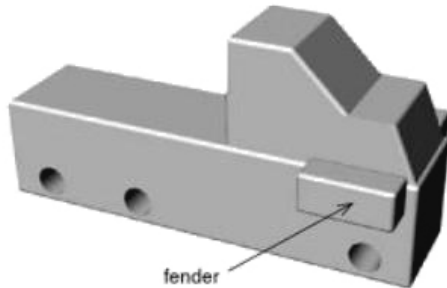
## Flatbed Truck Plan Set



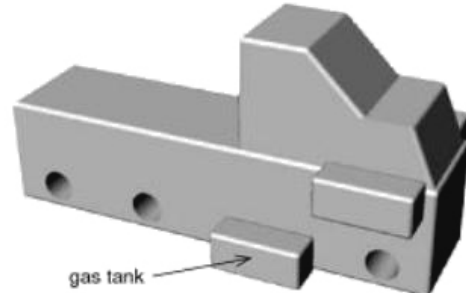
1. Round off the edges of the chassis and the front edges of the hood as shown above prior to applying the woodworker's glue to the underside of the hood. A piece of 100 grit sandpaper wrapped around a small block works well for creating smooth and straight rounded edges.



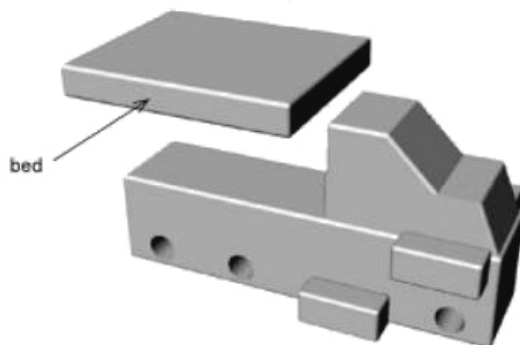
2. Add glue to top on the bottom side. Press the top down and slide it around to spread the glue evenly. Press down on the top to seat it against the glue. The top and hood are slightly narrower than the chassis and fit side to side in the center of the chassis.



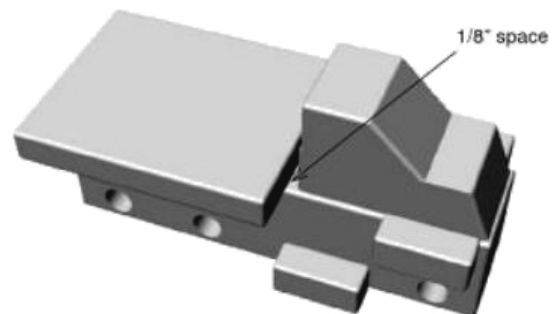
3. Apply glue to the contact surface of the fenders and press each into position tightly on the chassis. Set the chassis aside until the glue is dry.



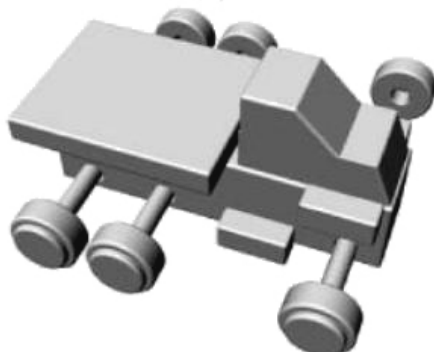
4. Apply glue to the contact surface of the gas tanks and press each into position tightly on the chassis. Set the chassis aside until the glue is dry.



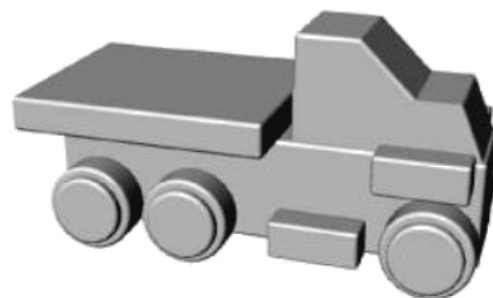
5. Apply glue to the chassis where the bed is attached. Press the bed firmly against the chassis and move it back and forth to spread the glue.



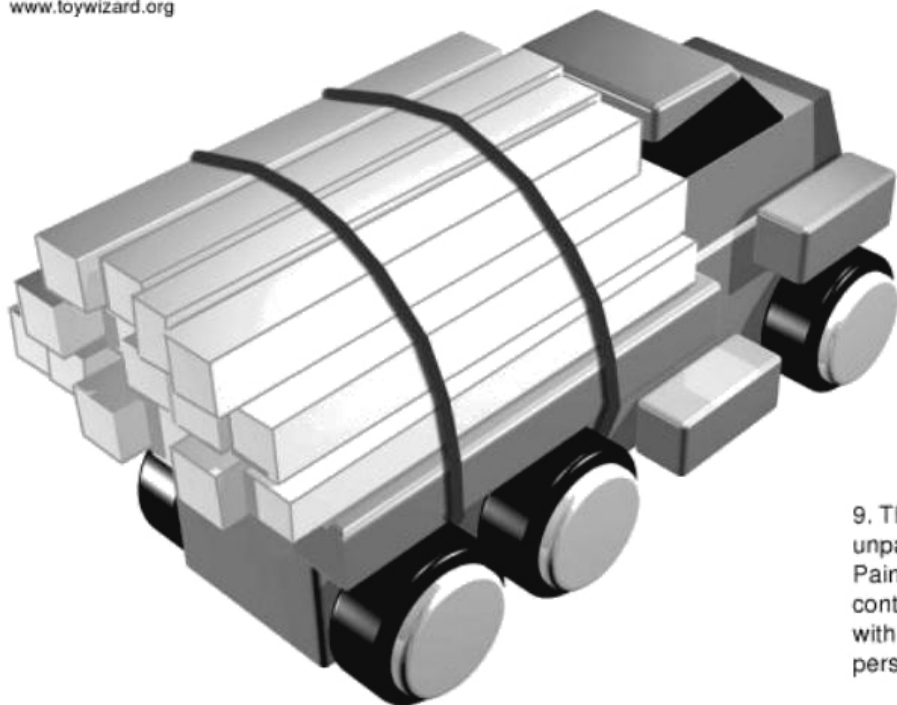
6. The truck bed is aligned in the center of the chassis left to right. Leave an 1/8" space between the cab and the bed as shown in the side view on page 26.



7. Place glue on the hubcaps and center the hubcaps on wheels. Slide the hubcaps around and press down to achieve a tight fit. Add glue to 3 wheel holes and insert 3 axles.



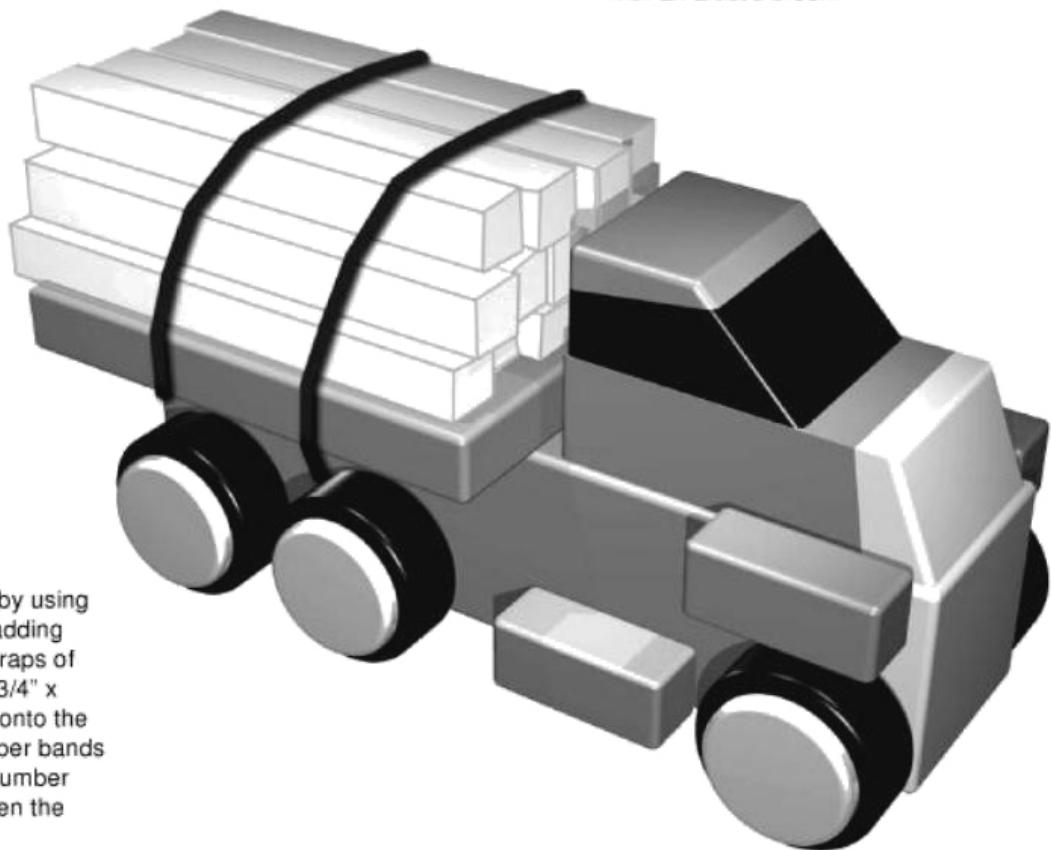
8. Insert the 3 axle/wheel assemblies into the chassis. Add glue to the wheel holes of the 3 remaining wheels and press the wheels onto the axle ends.



Logs can also be made from small branches and twigs for a naturally fun logging truck.

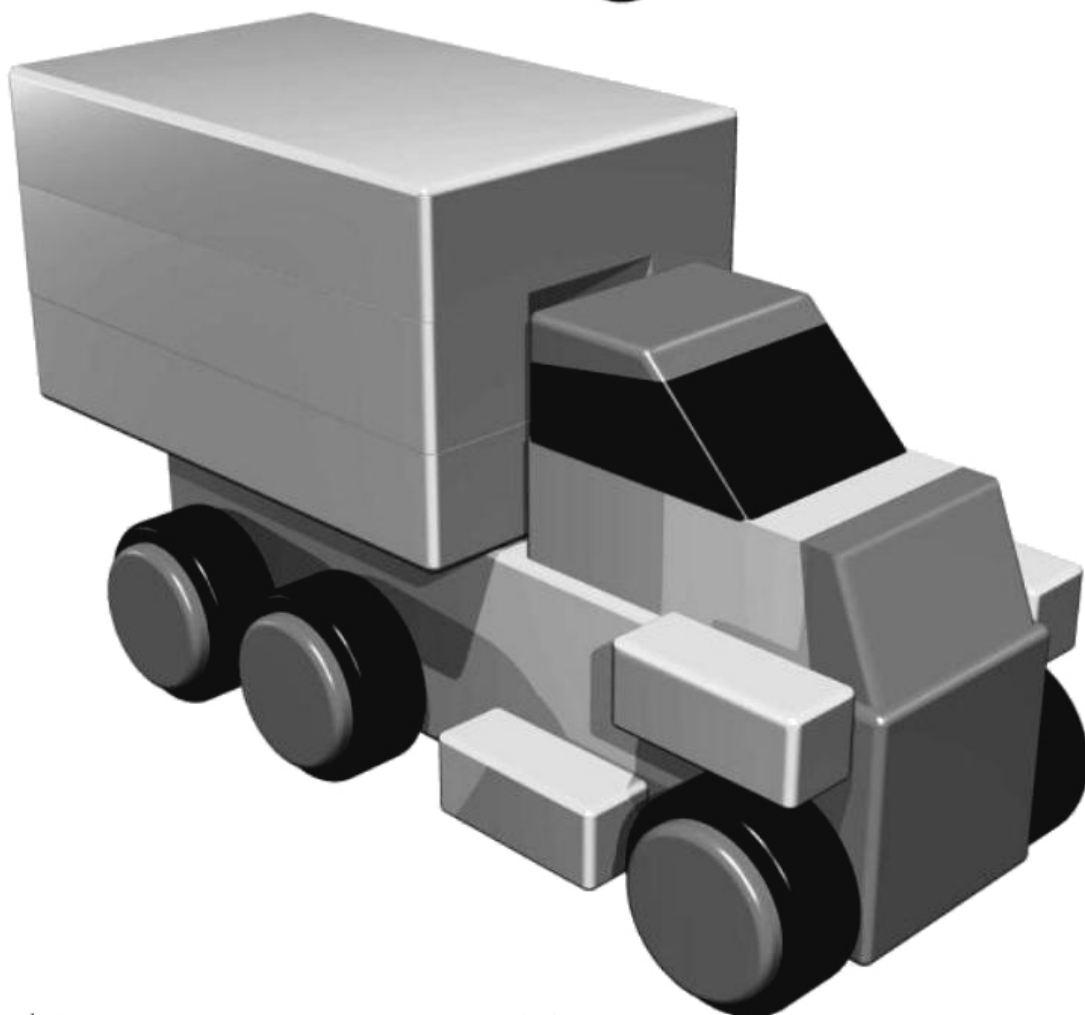
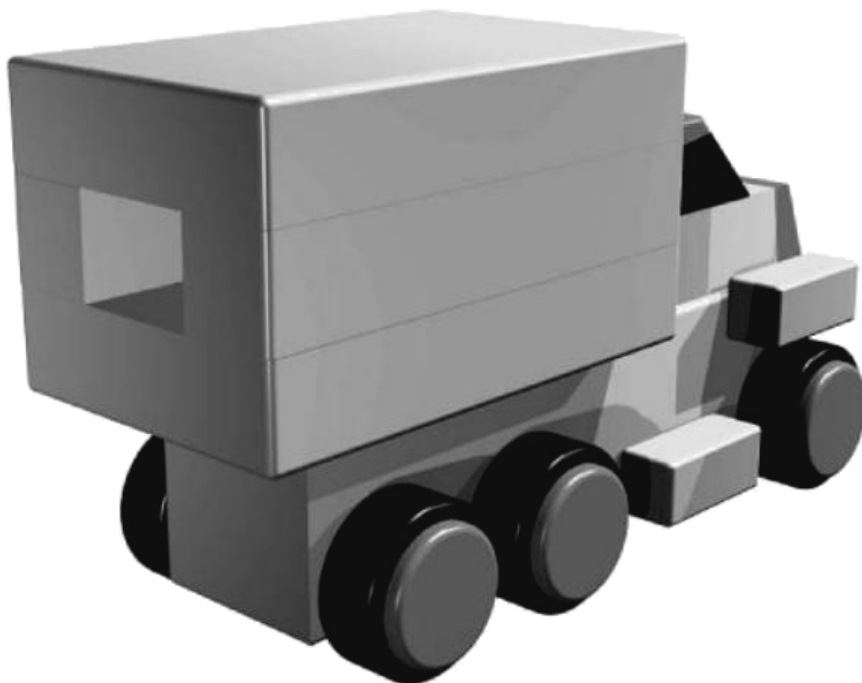
9. The flatbed looks great painted and unpainted. Color adds a lot of punch. Paint it a solid color with the wheels a contrasting color. Or it can be painted with multiple colors to create your own personal look.

10. Paint the flatbed using waterbased enamels. First apply 3 coats, sanding between with 200 grit paper. Then add trim. Use painter's trim masking tape for a clean edge. The hubcaps are painted with an artist's brush.



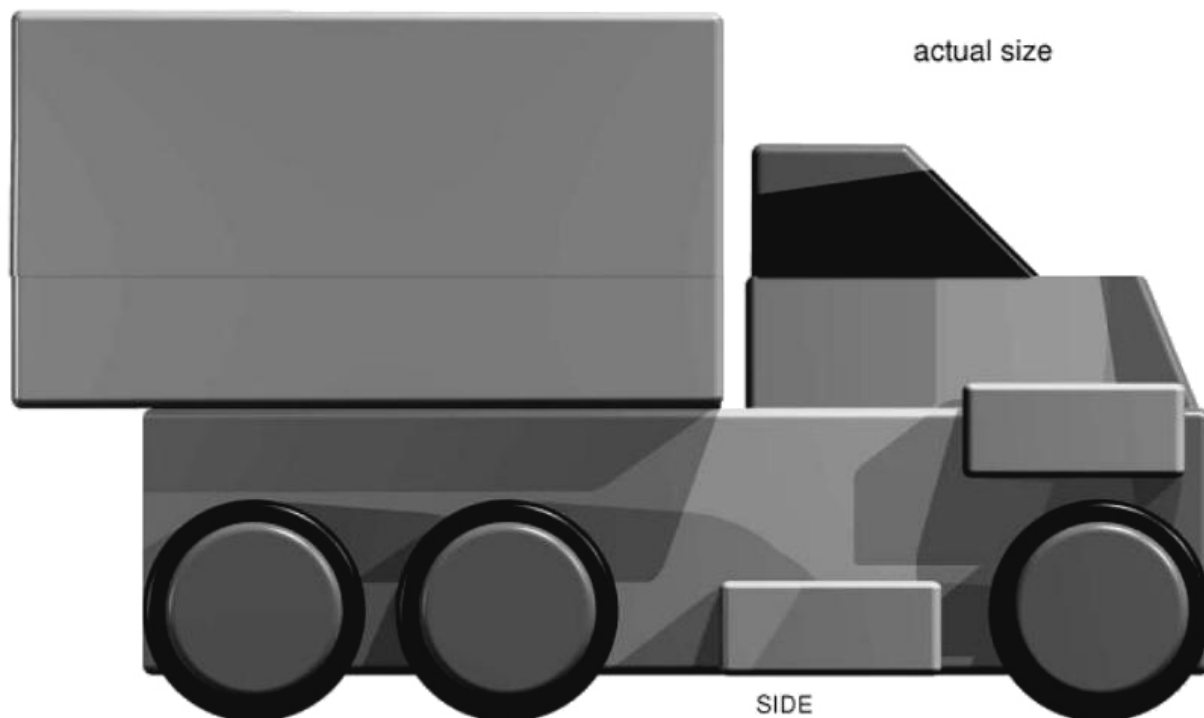
Make a lumber truck by using the same plans and adding lumber made from scraps of wood. The lumber is  $\frac{3}{4}$ " x  $\frac{3}{4}$ " and can be held onto the flatbed with large rubber bands wrapped around the lumber and chassis in between the wheels.

# Delivery Truck Plan Set

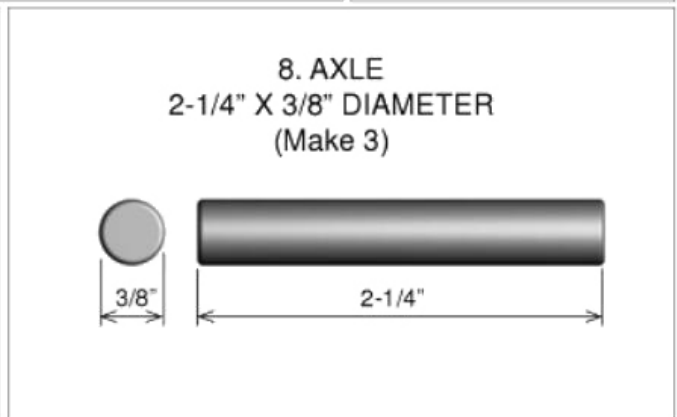
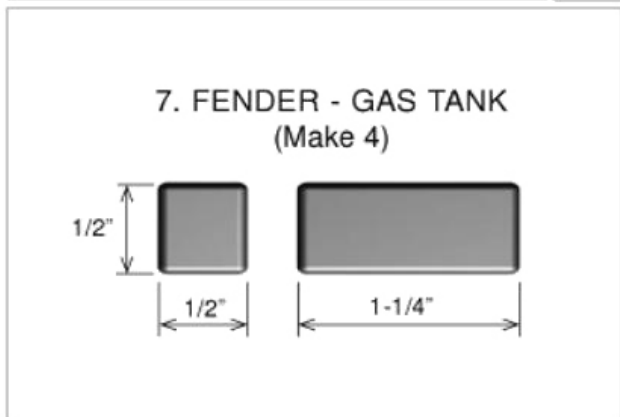
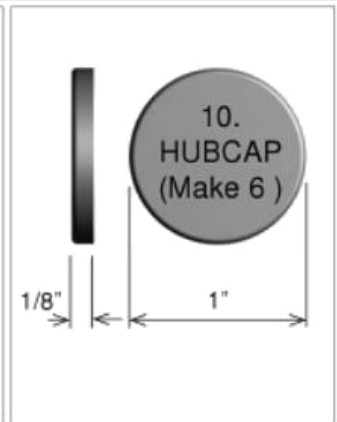
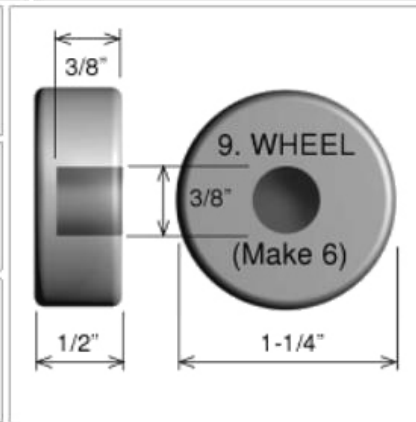
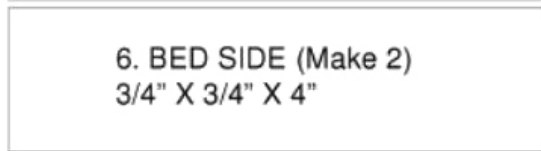
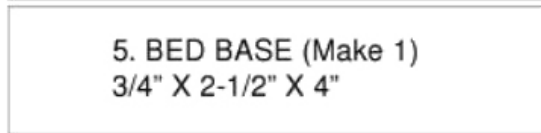
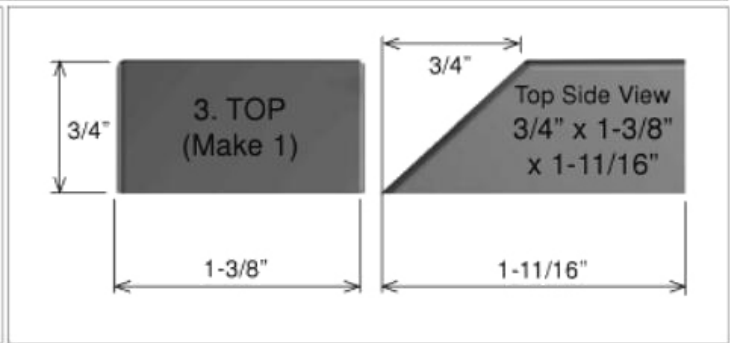
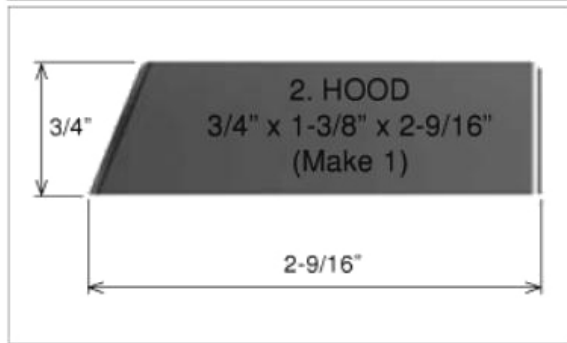
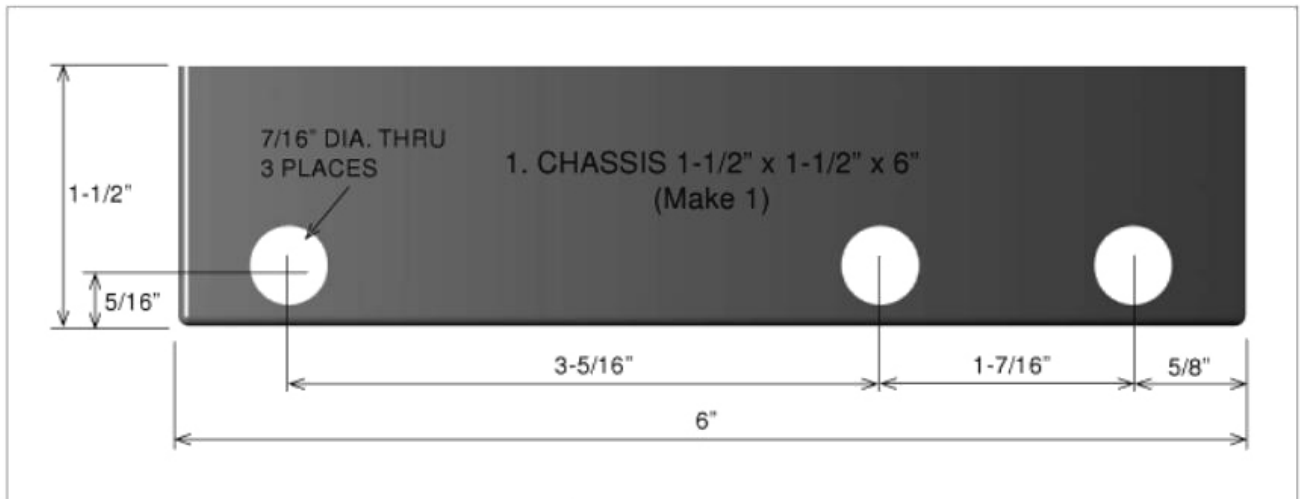


1. CHASSIS	MAKE 1	1-1/2" X 1-1/2" X 6"	PINE
2. HOOD	MAKE 1	3/4" X 1-3/8" X 2-9/16"	PINE
3. TOP	MAKE 1	3/4" X 1-3/8" X 1-11/16"	PINE
4. BED TOP	MAKE 1	3/4" X 2-1/2" X 4"	PINE
5. BED BASE	MAKE 1	3/4" X 2-1/2" X 4"	PINE
6. BED SIDE	MAKE 2	3/4" X 3/4" X 4"	PINE
7. FEN-TANK	MAKE 4	1/2" X 1/2" X 1-1/4"	PINE
8. AXLE	MAKE 3	2-1/4" X 3/8" DIAMETER	DOWEL
9. WHEEL	MAKE 6	1/2" X 1-1/4" DIAMETER	DOWEL
10. HUBCAP	MAKE 6	1/8" X 1" DIAMETER	DOWEL

NOTE: All body parts can be sawn from 1x4 and 2x4 lumber. Wheels, axles and hubcaps are sawn from standard diameter dowels. See parts list for sizes.



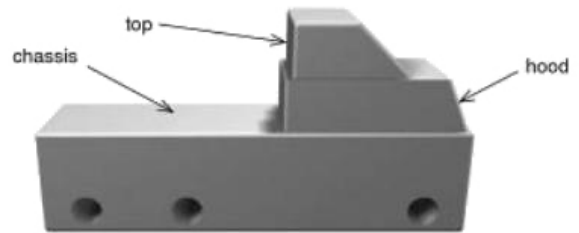




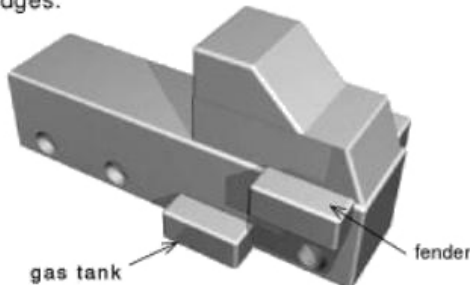
## Delivery Truck Plan Set



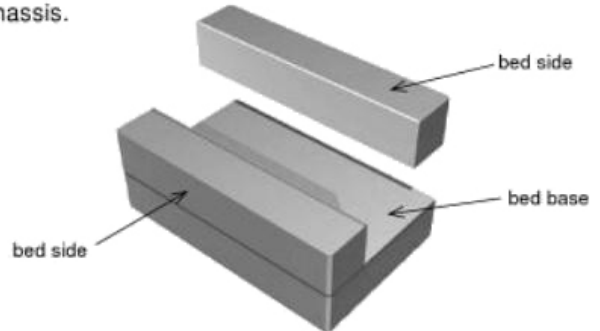
1. Round off the edges of the chassis and the front edges of the hood slightly as shown above prior to applying the woodworker's glue to the underside of the hood. A piece of 100 grit sandpaper wrapped around a small block works well for creating smooth and straight rounded edges.



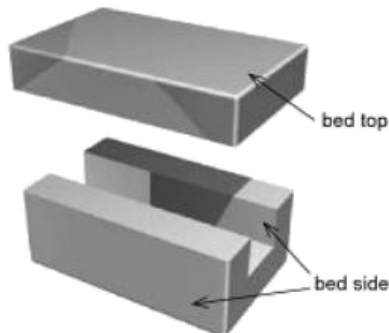
2. Add glue to the hood and top on the bottom side. Press the hood and top down and slide it around to spread the glue evenly. Press down on the top to seat it against the hood. The top and hood are slightly narrower than the chassis and fit side to side in the center of the chassis.



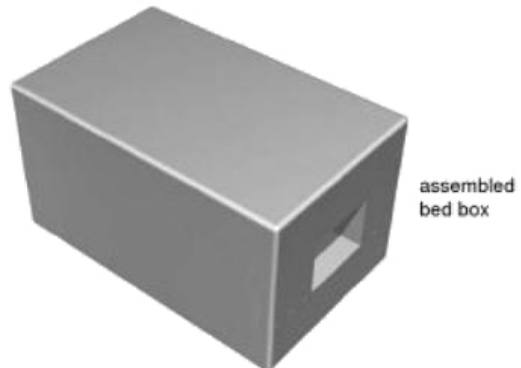
3. Apply glue to the contact surface of the fenders and the gas tanks and press each into position tightly on the chassis. Set the chassis aside until the glue is dry.



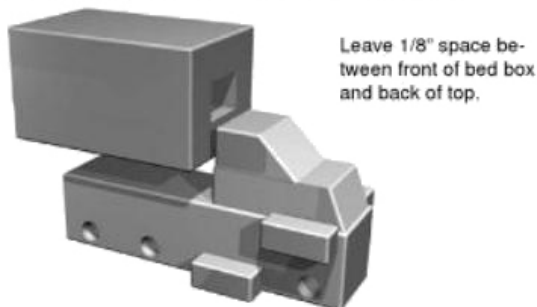
4. Glue and press the bed base and bed sides together evenly. Let the glue dry before completing step 5.



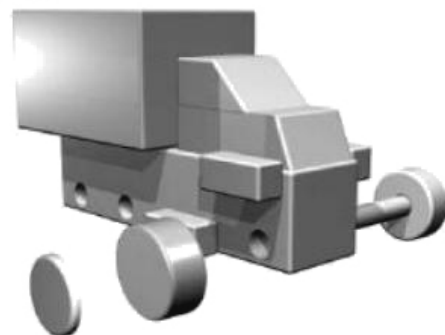
5. Place glue on the top of the bed sides. Slide the bed top around to spread glue evenly. Line up bed top with bed sides and press down to achieve a tight fit.



6. Let the assembled bed box dry before completing steps 7 and 8.



7. Apply glue to the chassis where the box will be attached. Press the box firmly against the chassis and move it back and forth to spread the glue. Align box on the middle of the chassis with an 1/8" space between it and the top as shown in side view on page 32.

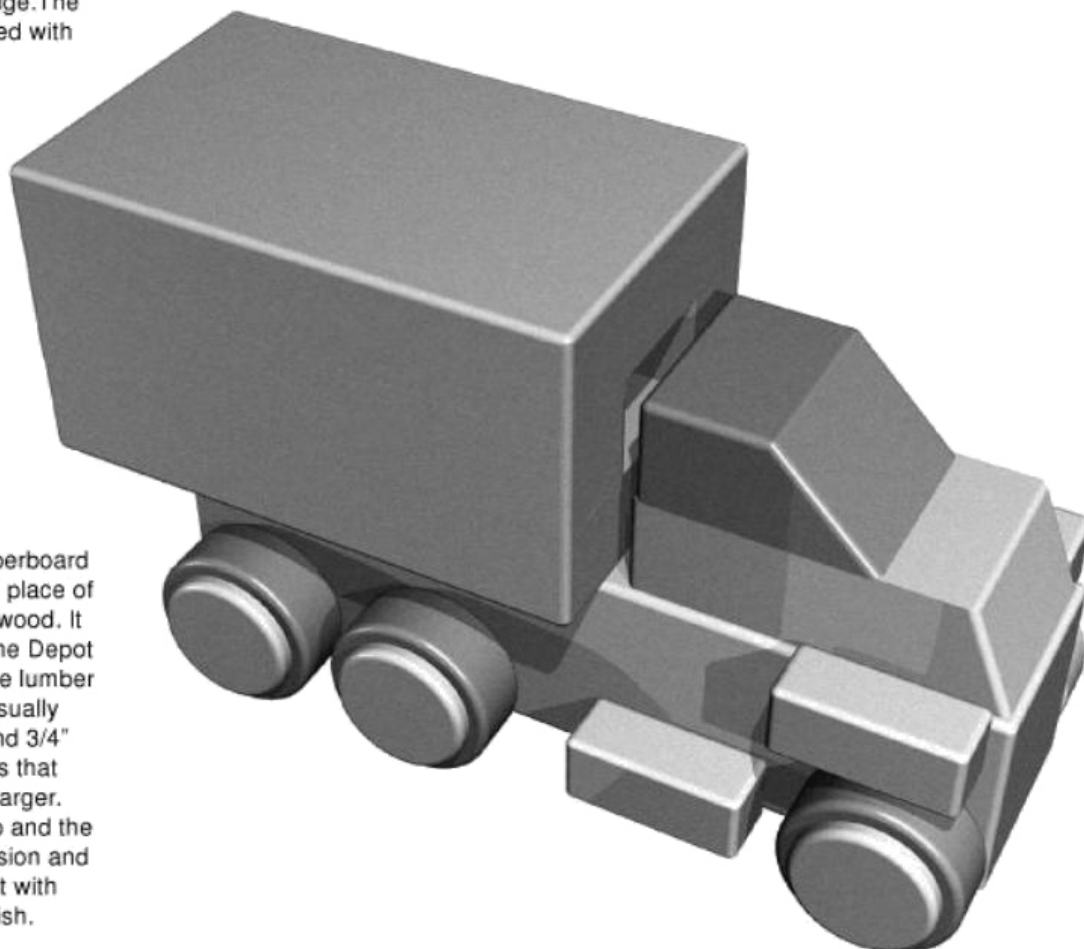


8. Add hubcaps to wheels and let dry. Place glue in 3 wheel holes and insert axles tightly. You may need to tap the axles into the wheels with light blows from a hammer. Add glue to final 3 wheels and tap onto axles. Let wheels dry completely onto the axles before play.

9. The delivery truck looks great painted and unpainted. Color adds a lot of punch. Paint it a solid color with the wheels a contrasting color. Or it can be painted with multiple colors to create your own personal look.

10. Paint the delivery truck using waterbased enamels. First apply 3 coats, sanding between with 200 grit paper. Then add trim. Use painter's trim masking tape for a clean edge. The hubcaps are painted with an artist's brush.

Make a stakeside truck by using the Delivery Truck plans. Simply leave off the top of the bed box to create the stakesides.

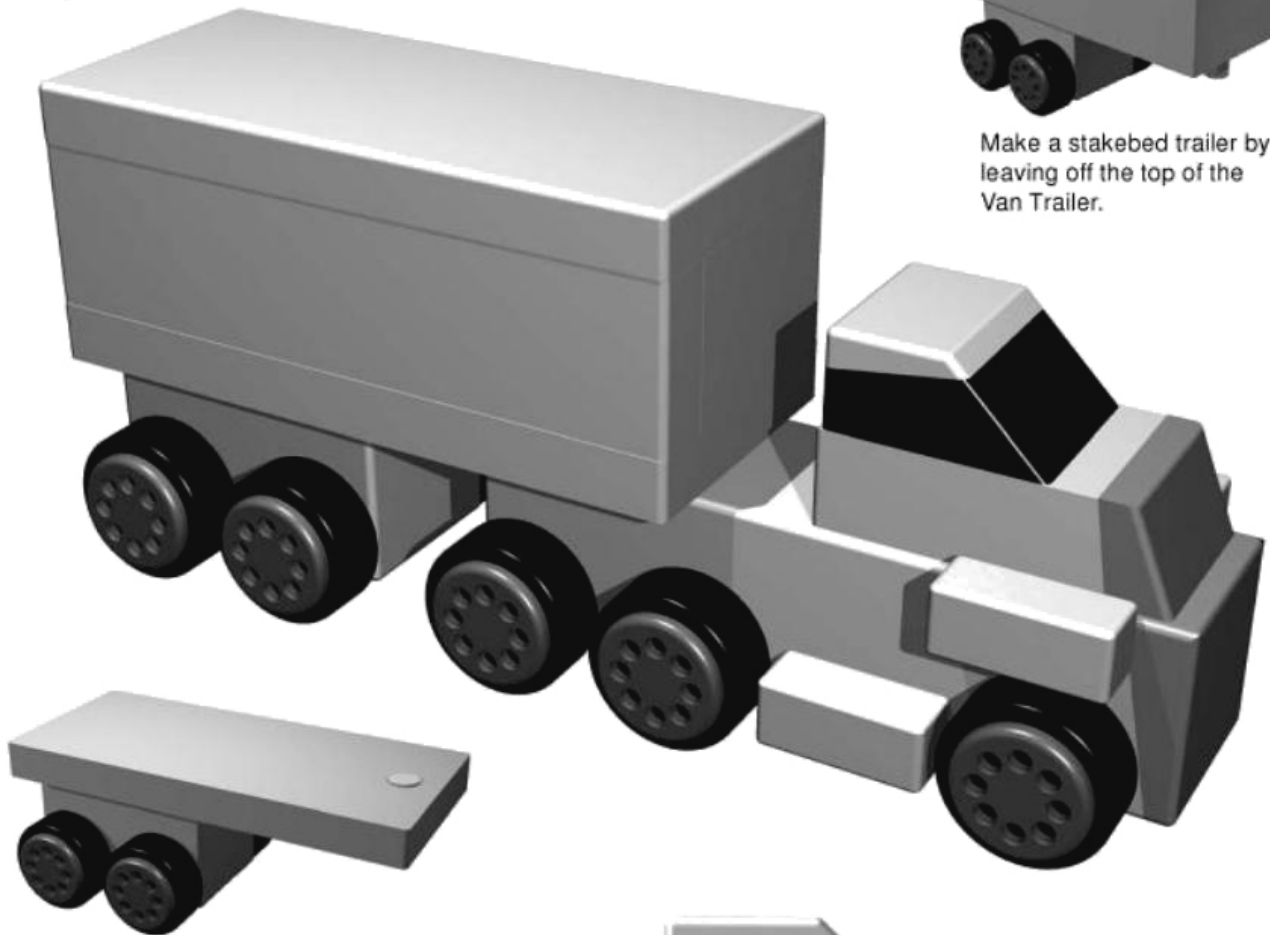


Medium density fiberboard is a great option in place of using pine or hardwood. It is available at Home Depot and at Lowes in the lumber department. It is usually available in 1/2" and 3/4" thickness in boards that are 24" x 48" and larger. We stained the top and the wheels on this version and then clear coated it with polyurethane varnish.

# Semi Tractor and Van Trailer Plan Set

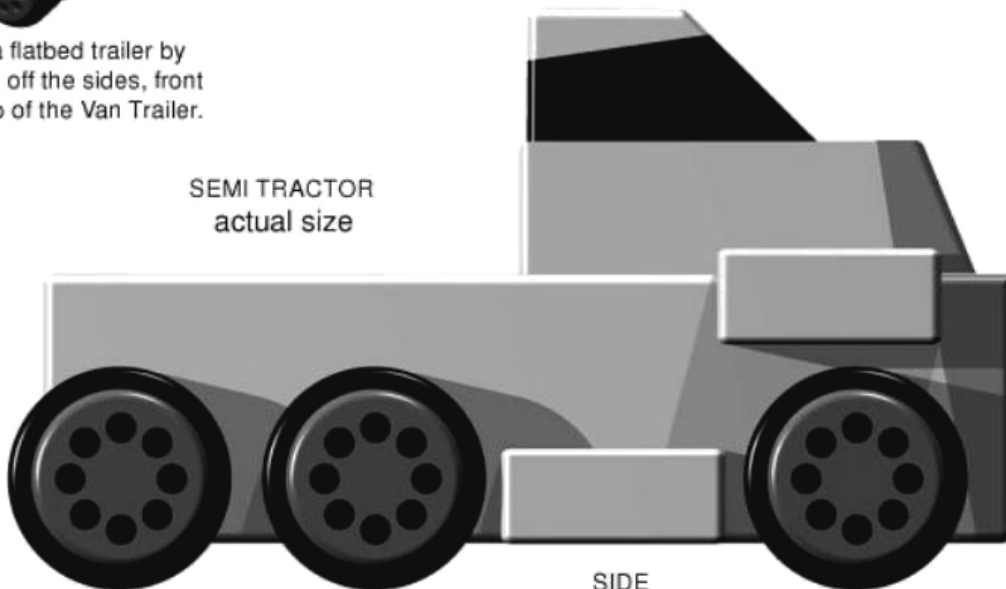


Make a stakebed trailer by leaving off the top of the Van Trailer.



Make a flatbed trailer by leaving off the sides, front and top of the Van Trailer.

SEMI TRACTOR  
actual size

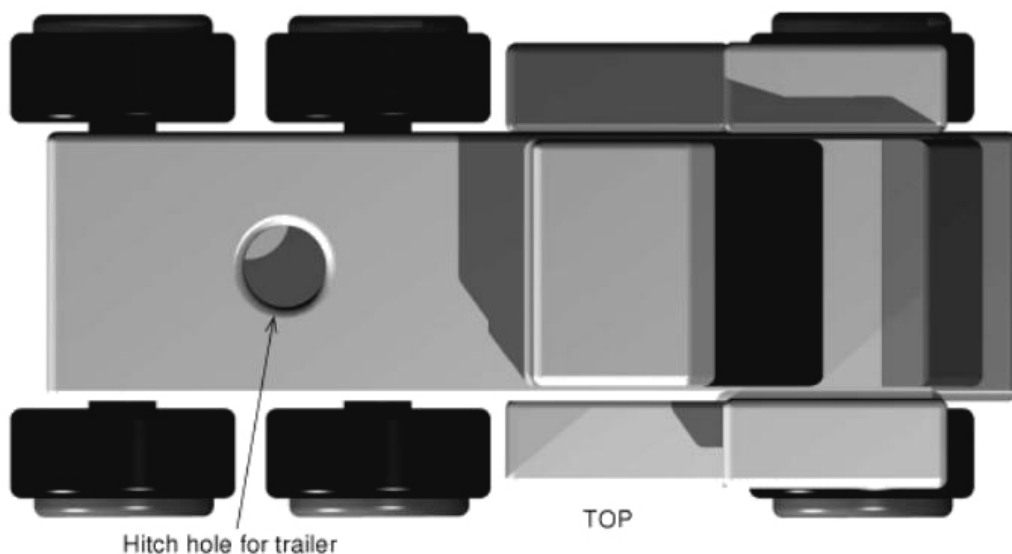


SIDE

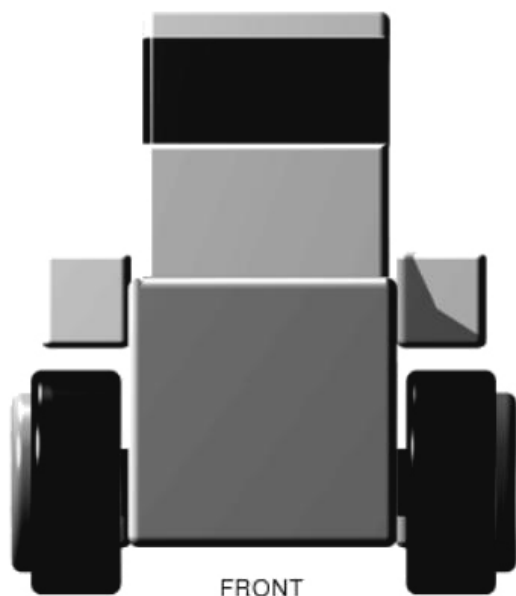
SEMI TRACTOR PARTS LIST (FOR VAN TRAILER SEE PAGE 41)

1. CHASSIS	MAKE 1	1-1/2" X 1-1/2" X 5-7/16"	PINE
2. HOOD	MAKE 1	3/4" X 1-3/8" X 2-9/16"	PINE
3. TOP	MAKE 1	3/4" X 1-3/8" X 1-5/8"	PINE
4. FEN-TANK	MAKE 4	1/2" X 1/2" X 1-1/4"	PINE
5. AXLE	MAKE 3	2-1/4" X 3/8" DIAMETER	DOWEL
6. WHEEL	MAKE 6	1/2" X 1-1/4" DIAMETER	DOWEL
7. HUBCAP	MAKE 6	1/8" X 1" DIAMETER	DOWEL

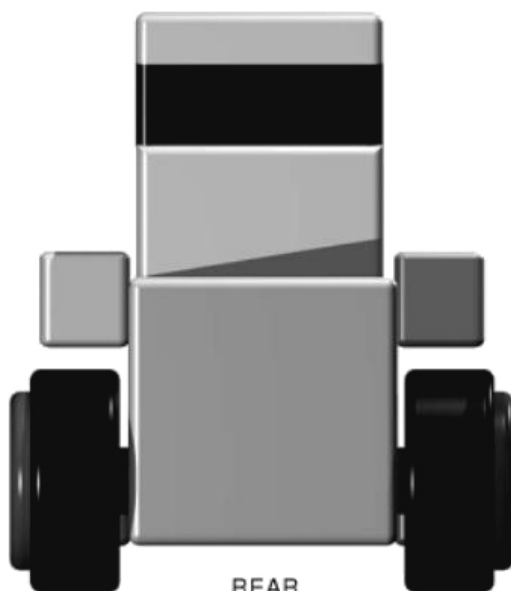
NOTE: All body parts can be sawn from 1x4 and 2x4 lumber. Wheels, axles and hubcaps are sawn from standard diameter dowels. See parts list for sizes.



SEMI TRACTOR  
actual size

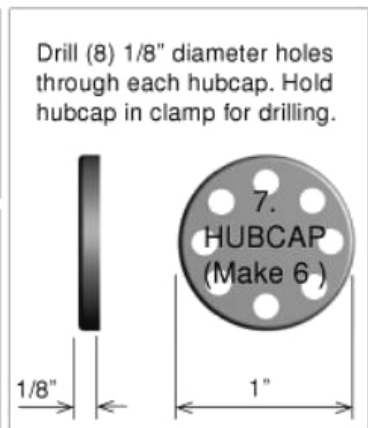
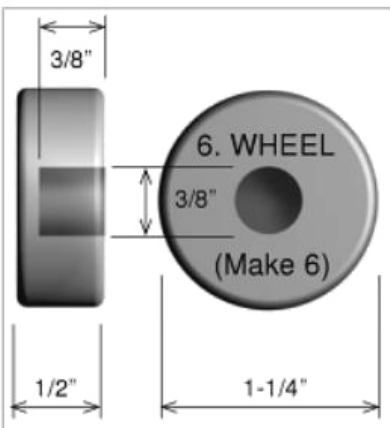
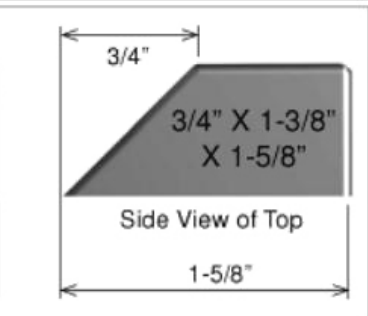
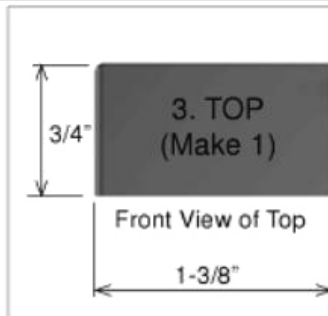
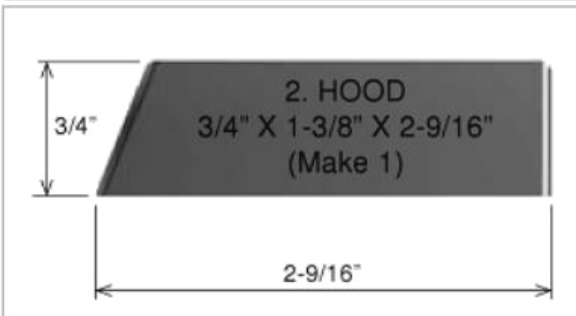
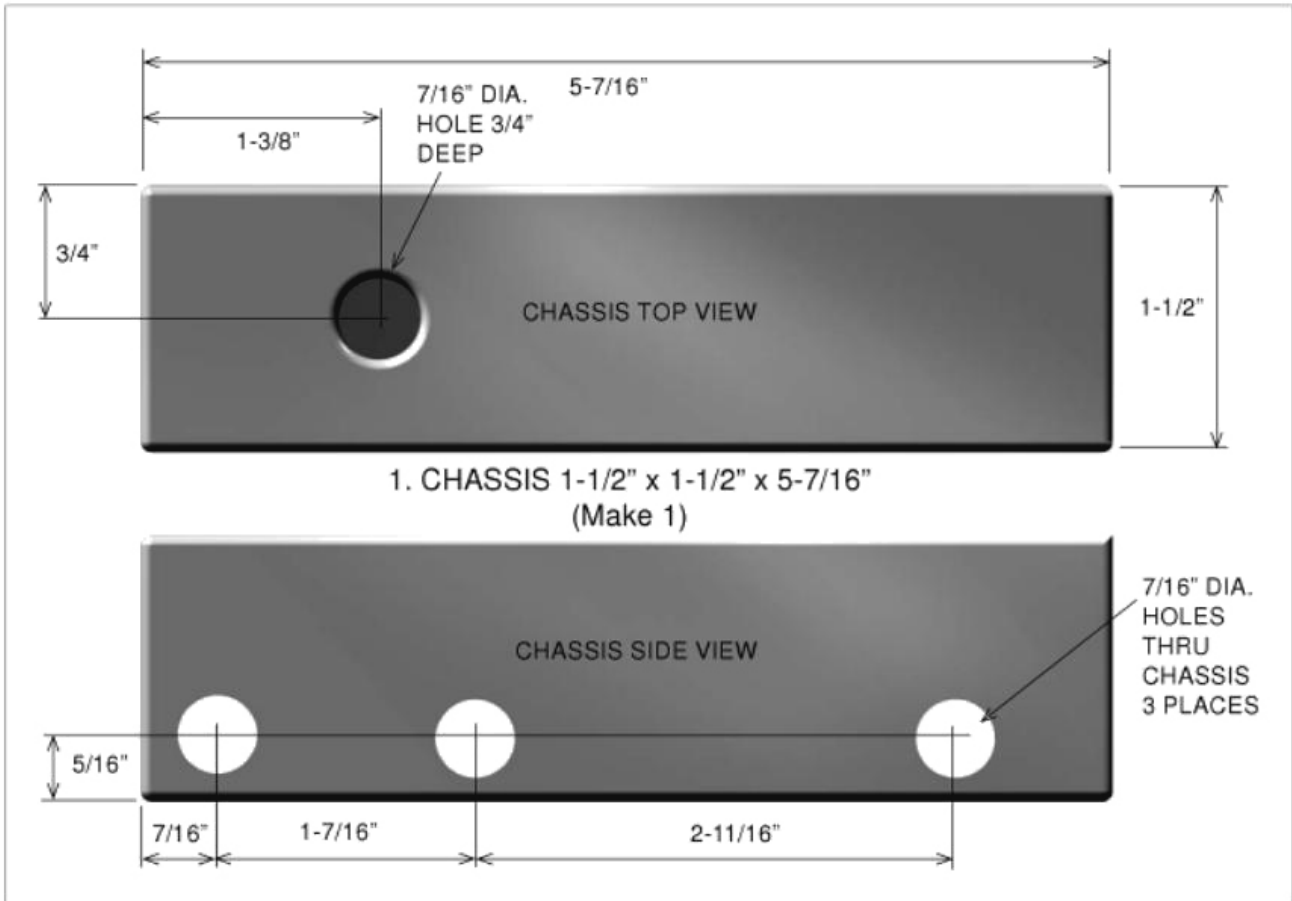


FRONT

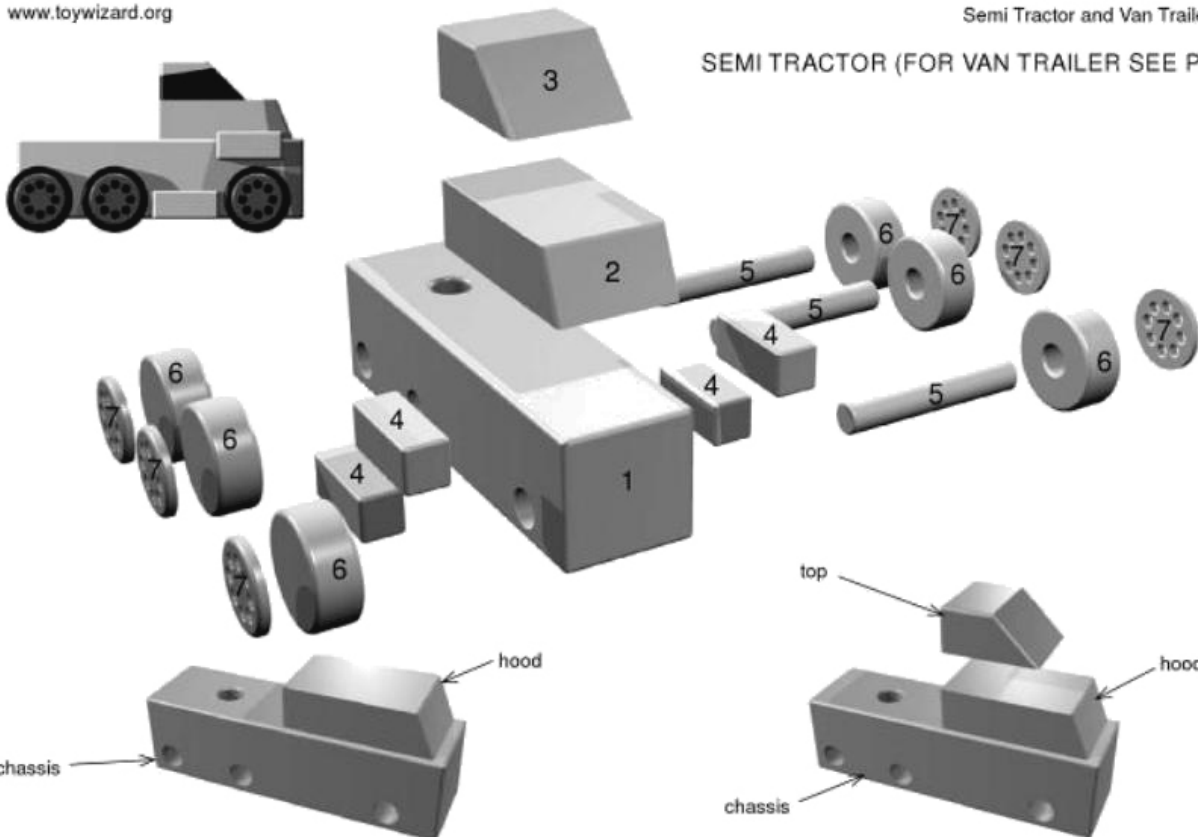


REAR

SEMI TRACTOR (FOR VAN TRAILER SEE PAGE 41)

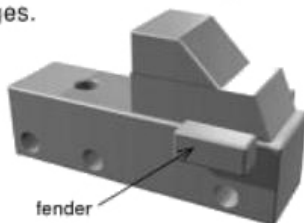


## SEMI TRACTOR (FOR VAN TRAILER SEE PAGE 41)

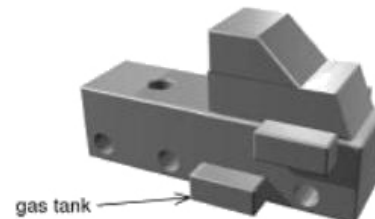


1. Round off the edges of the chassis and the front edges of the hood slightly as shown above prior to applying the woodworker's glue to the underside of the hood. A piece of 100 grit sandpaper wrapped around a small block works well for creating smooth and straight rounded edges.

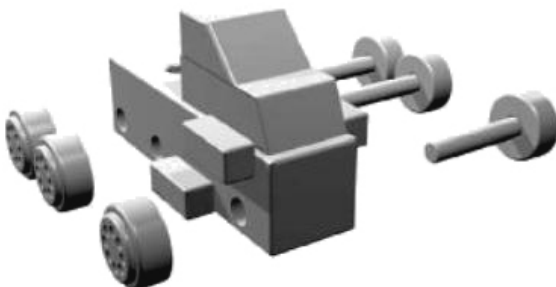
2. Add glue to the top on the bottom side. Press the top down and slide it around to spread the glue evenly. Press down on the top to seat it against the hood. The top and hood are slightly narrower than the chassis and fit side to side in the center of the chassis.



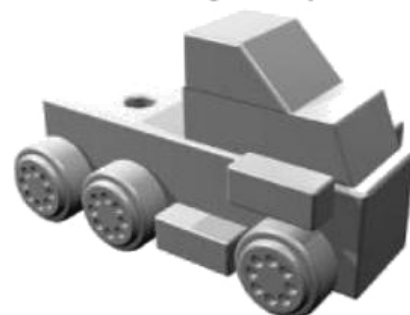
3. Apply glue to the contact surface of the fenders and press each into position tightly on the chassis. Set the chassis aside until the glue is dry.



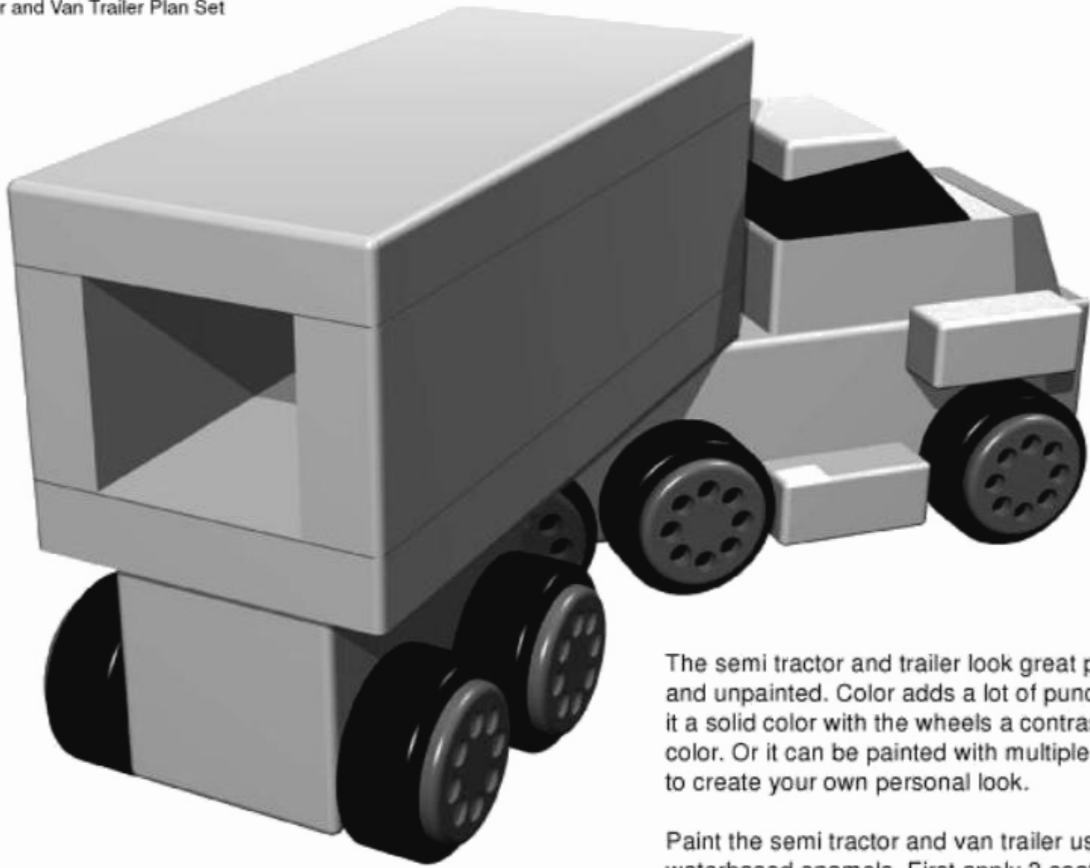
4. Apply glue to the contact surface of the gas tanks and press each into position tightly on the chassis. Set the chassis aside until the glue is dry.



5. Place glue on the hubcaps and center the hubcaps on the wheels. Slide around and press down to achieve a tight fit. Add glue to 3 wheel holes and insert 3 axles.



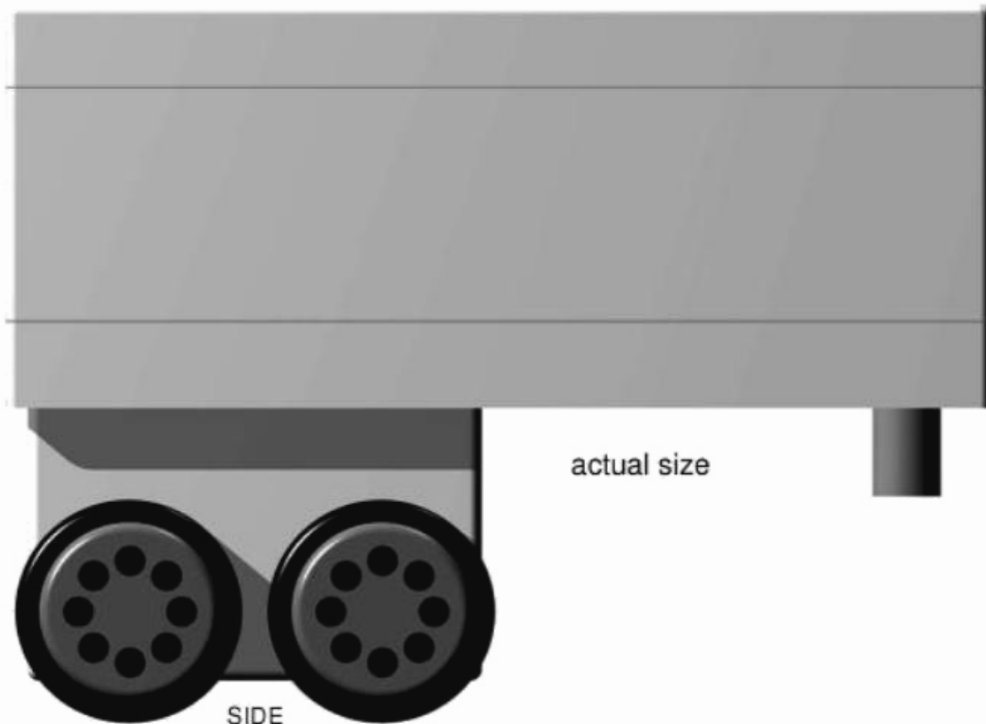
6. Insert the 3 axle/wheel assemblies into the chassis. Add glue to the wheel holes of the 3 remaining wheels and press the wheels onto the axle ends.



The semi tractor and trailer look great painted and unpainted. Color adds a lot of punch. Paint it a solid color with the wheels a contrasting color. Or it can be painted with multiple colors to create your own personal look.

Paint the semi tractor and van trailer using waterbased enamels. First apply 3 coats, sanding between with 200 grit paper. Then add trim. Use painter's trim masking tape for a clean edge. The hubcaps are painted with an artist's brush.

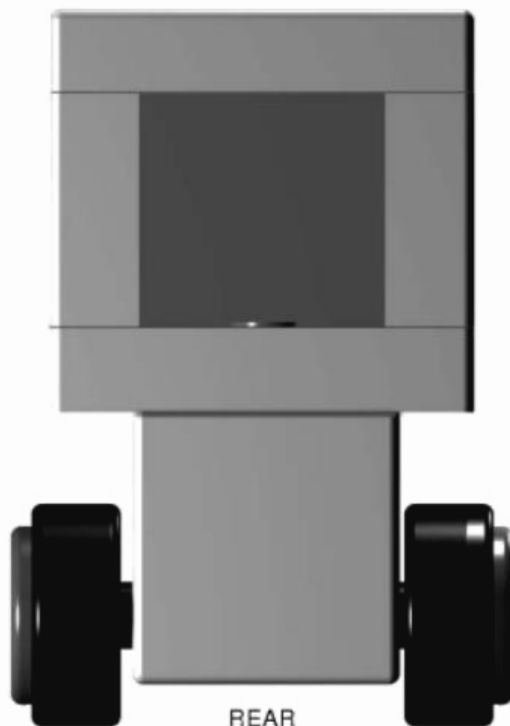
VAN TRAILER (FOR SEMI TRACTOR SEE PAGE 37)



## VAN TRAILER PARTS LIST (FOR SEMI TRACTOR SEE PAGE 37)

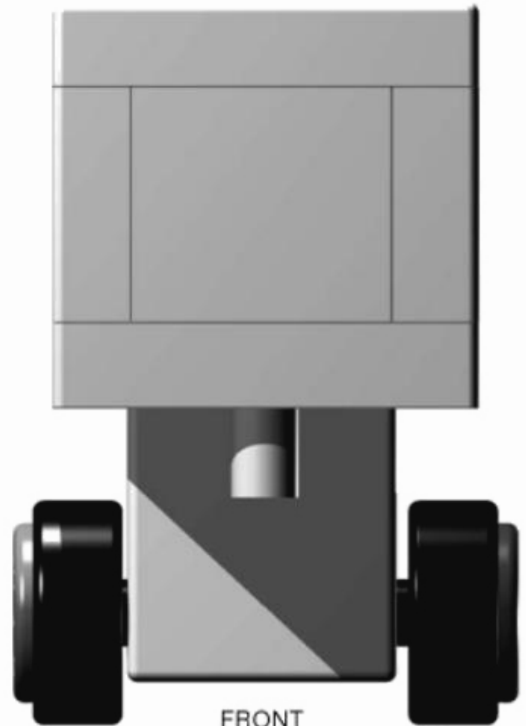
1. CHASSIS	MAKE 1	1-1/2" X 1-1/2" X 2-9/16"	PINE
2. TRAILER BED	MAKE 1	1/2" X 2-3/8" X 5-9/16"	PINE
3. TRAILER TOP	MAKE 1	1/2" X 2-3/8" X 5-9/16"	PINE
4. TRAILER SIDES	MAKE 2	1/2" X 1-5/16" X 5-9/16"	PINE
5. TRAILER FRONT	MAKE 1	1/2" X 1-3/8" X 1-3/8"	PINE
6. TRAILER HITCH	MAKE 1	1" X 3/8" DIAMETER	DOWEL
7. AXLE	MAKE 2	2-1/4" X 3/8" DIAMETER	DOWEL
8. WHEEL	MAKE 4	1/2" X 1-1/4" DIAMETER	DOWEL
9. HUBCAP	MAKE 4	1/8" X 1" DIAMETER	DOWEL

NOTE: All body parts can be sawn from 1x4 and 2x4 lumber. Wheels, axles and hubcaps are sawn from standard diameter dowels. See parts list for sizes.



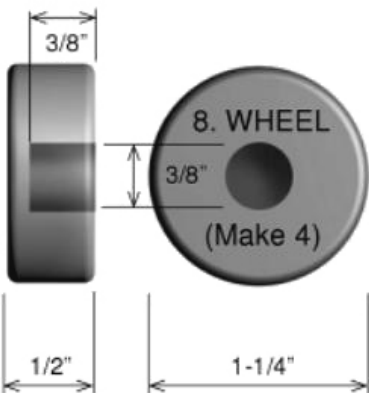
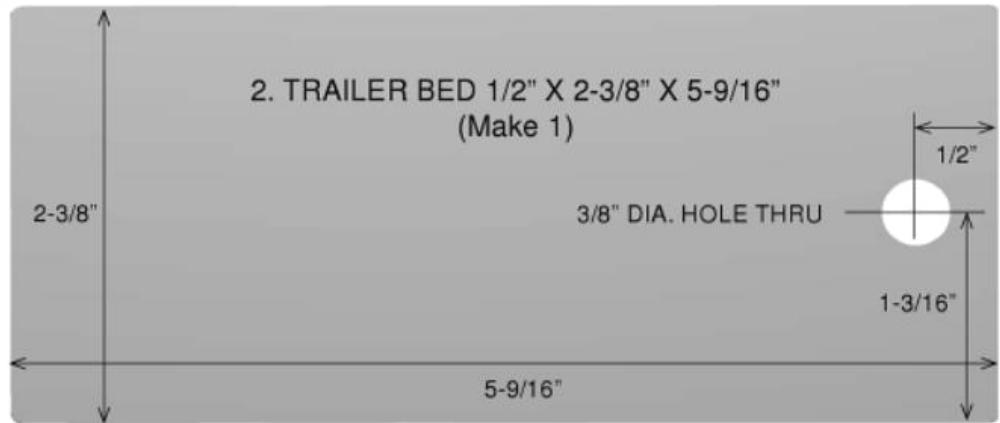
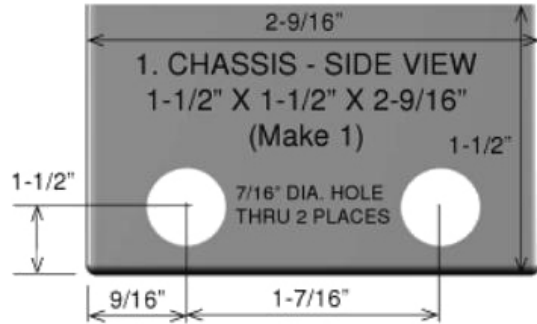
VAN TRAILER (FOR  
SEMI TRACTOR SEE  
PAGE 37)

actual size

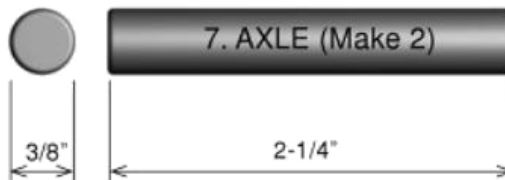


**4. TRAILER SIDES**  
 1/2" X 1-5/16"  
 X 5-9/16"  
 (Make 2)

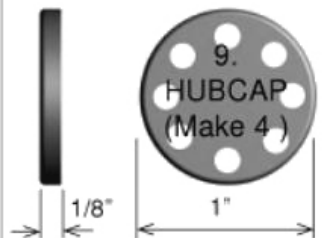
**5. TRAILER FRONT**  
 1/2" X 1-3/8"  
 X 1-3/8"  
 (Make 1)

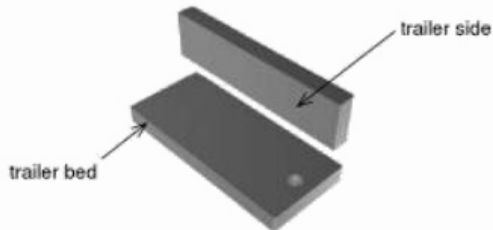
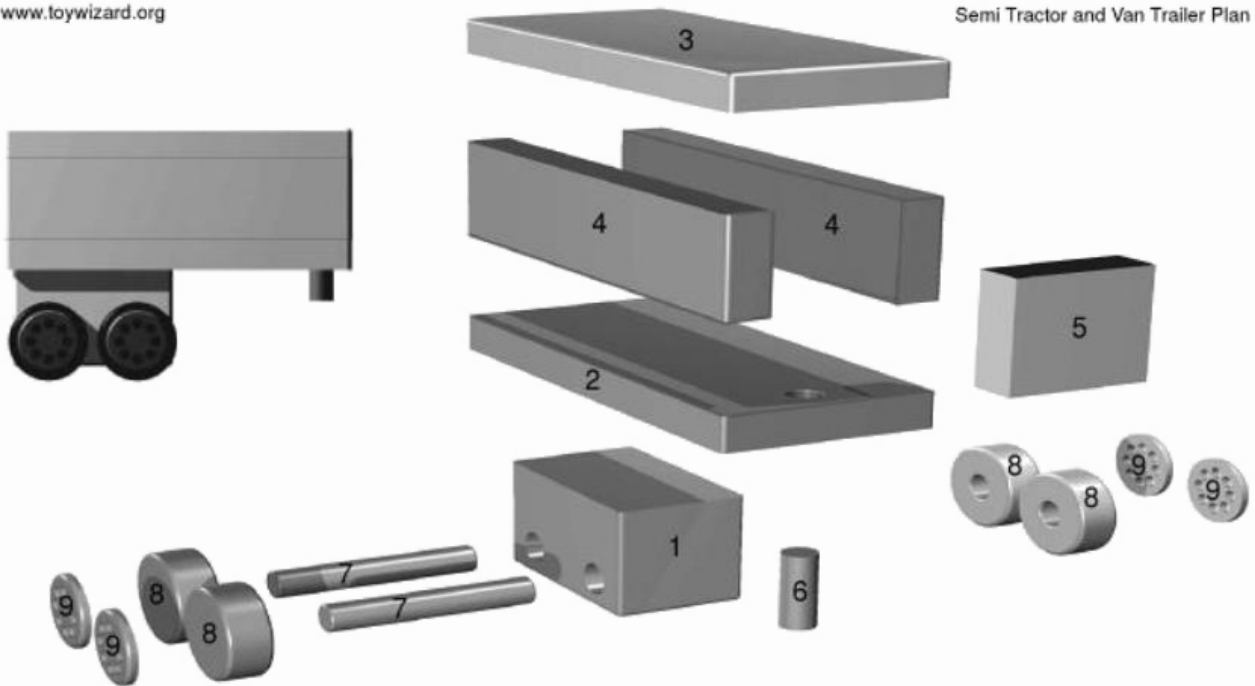


NOTE: Scrap pieces of axle dowel are ideal for plugging wheel holes when painting the wheels. Remove plugs once the paint is dry.

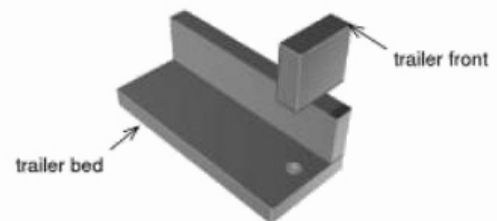


Drill (8) 1/8" diameter holes through each hubcap. Hold hubcap in clamp for drilling.

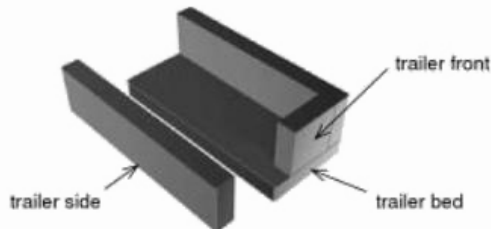




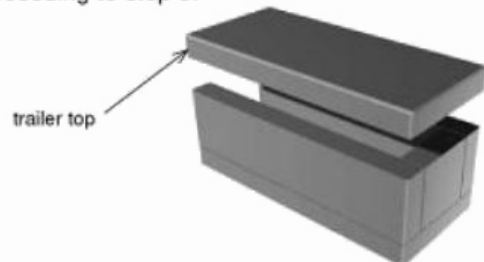
1. Apply glue to the bottom edge only of one trailer side. Press the trailer side firmly against the trailer bed. Let glue dry before proceeding to step 2.



2. Apply glue to the bottom and one side of the trailer front. Press the glued side of the trailer front against the trailer side and the trailer bed. Let the glue dry before proceeding to step 3.



3. Apply glue to the exposed vertical edge of the trailer front and to the bottom edge of the remaining trailer side. Press the trailer side firmly into place while aligning it with the edges of the trailer bed.



4. Apply glue to the top edges of the two trailer sides and the trailer front. Press the trailer top firmly into position while aligning the top with the trailer sides and trailer front.



5. Flip over trailer box, so bottom is up. Apply glue to trailer chassis and press chassis with axle holes at top onto trailer box at 1/8" from back edge of box and centered on box side to side (see page 41). Apply glue to end of trailer hitch and press into place.



6. Place glue on hubcaps. Center hubcaps on wheels. Add glue to 2 wheel holes and insert axles into wheels. Insert the 2 axle/wheel assemblies into the chassis. Add glue to the wheel holes of the 2 remaining wheels and press the wheels onto the axle ends.

1. CHASSIS	MAKE 1	1-1/2" X 1-1/2" X 6"	PINE
2. HOOD	MAKE 1	3/4" X 1-3/8" X 2-9/16"	PINE
3. TOP	MAKE 1	3/4" X 1-3/8" X 1-11/16"	PINE
4. BED	MAKE 1	1-1/2" X 1-1/2" X 3-9/16"	PINE
5. FEN-TANK	MAKE 4	1/2" X 1/2" X 1-1/4"	PINE
6. REAR FENDER	MAKE 2	1/2" X 1/2" X 2-3/8"	PINE
7. SIREN	MAKE 1	3/16" X 3/8" X 1-1/4"	PINE
8. AXLE	MAKE 3	2-1/4" X 3/8" DIAMETER	DOWEL
9. WHEEL	MAKE 6	1/2" X 1-1/4" DIAMETER	DOWEL
10. HUBCAP	MAKE 6	1/8" X 1" DIAMETER	DOWEL

NOTE: All body parts can be sawn from 1x4 and 2x4 lumber. Wheels, axles and hubcaps are sawn from standard diameter dowels. See parts list for sizes.



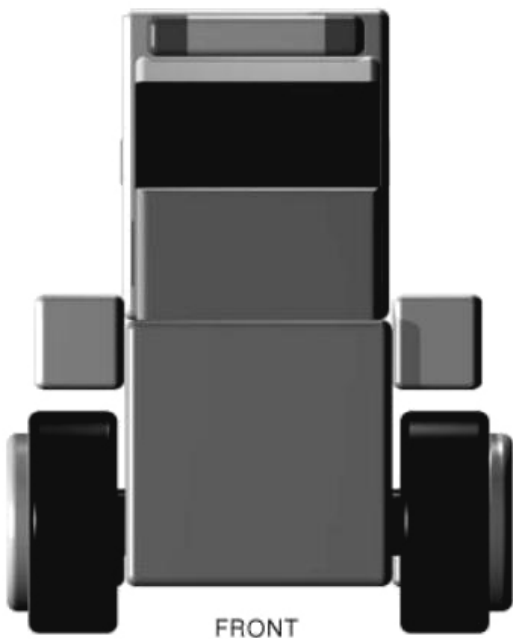
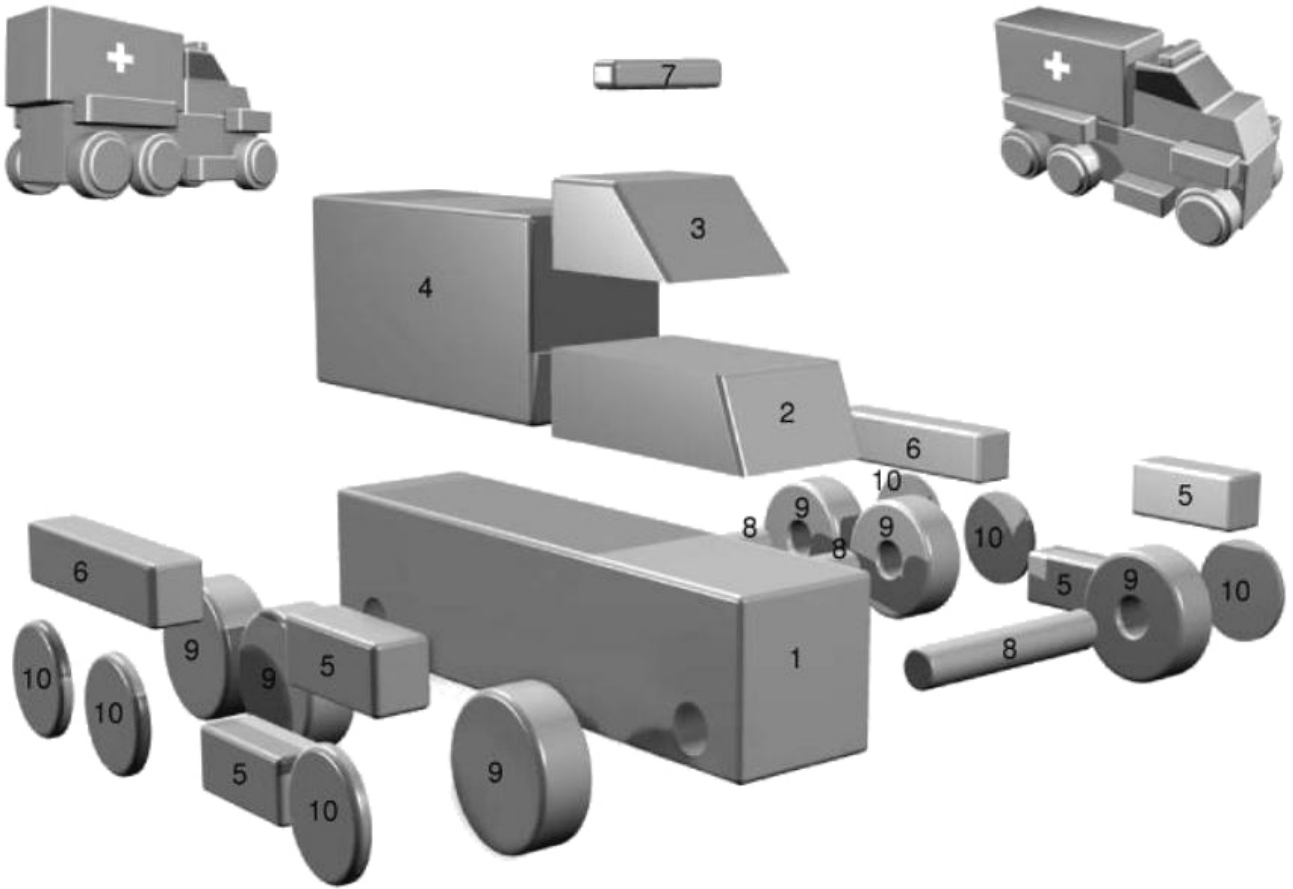
TOP

actual size

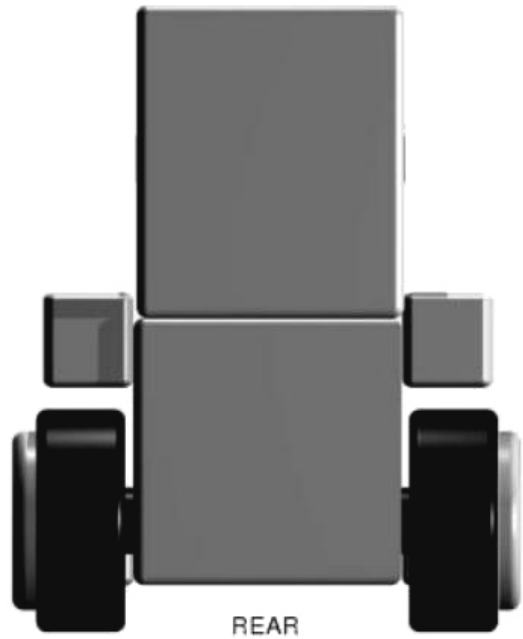


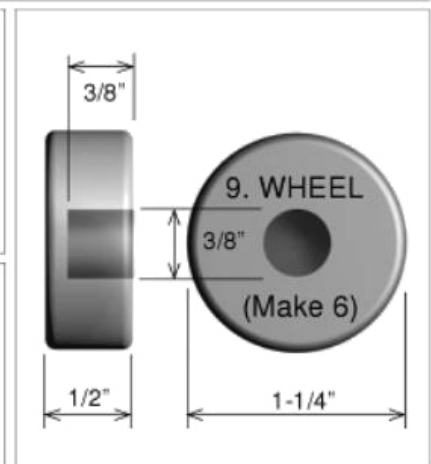
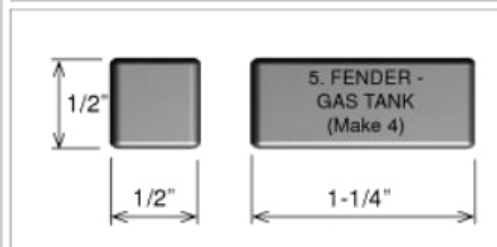
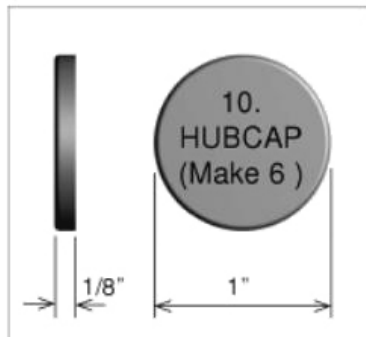
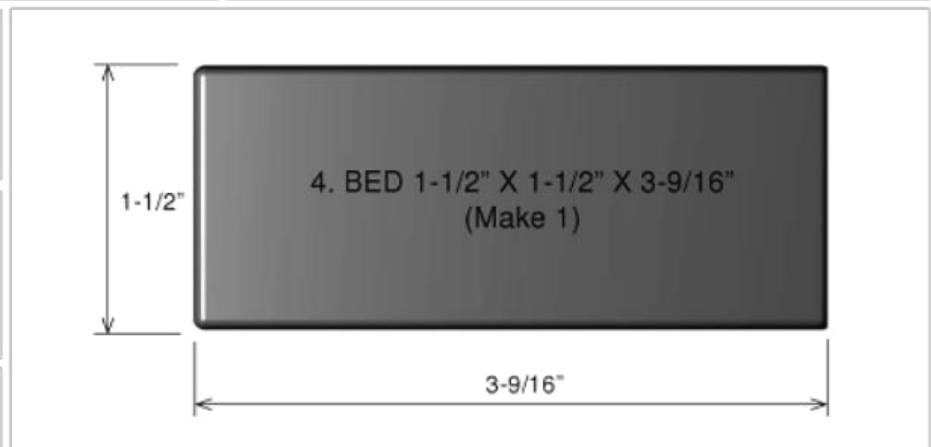
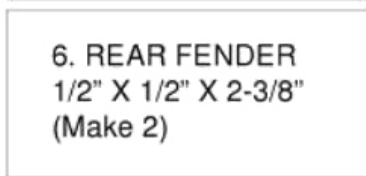
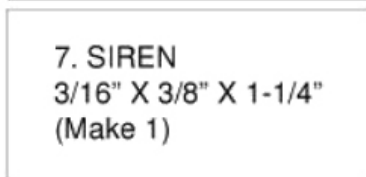
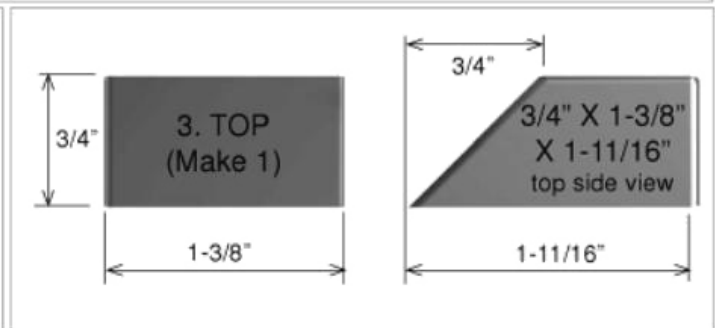
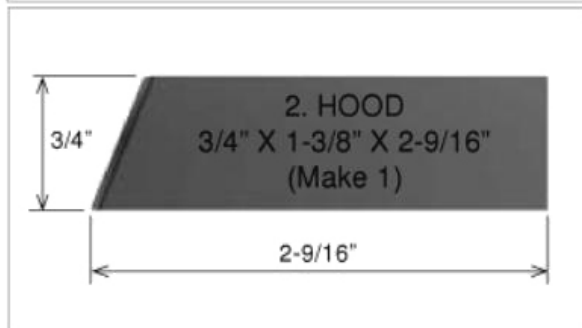
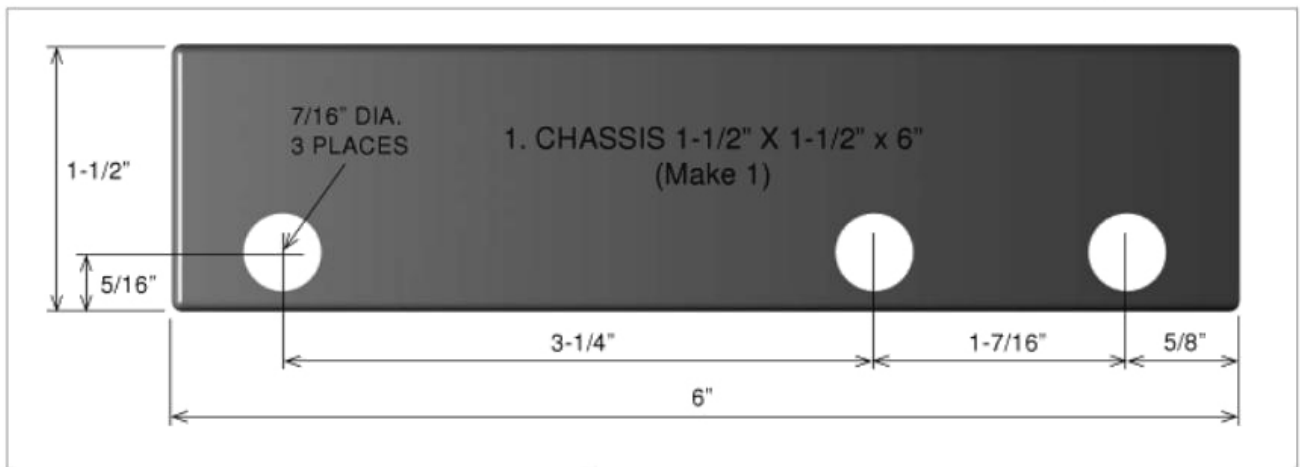
SIDE

Emergency Vehicle Plan Set

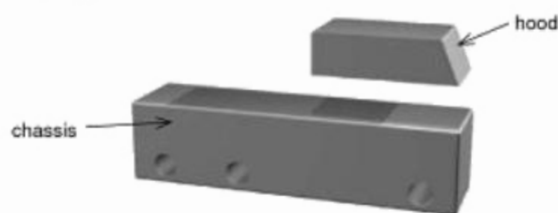


actual size

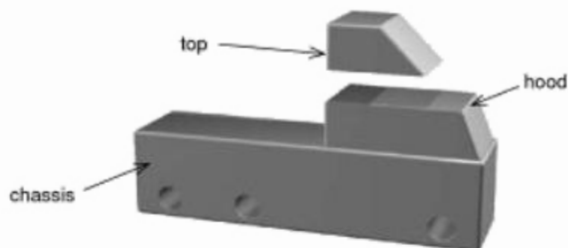




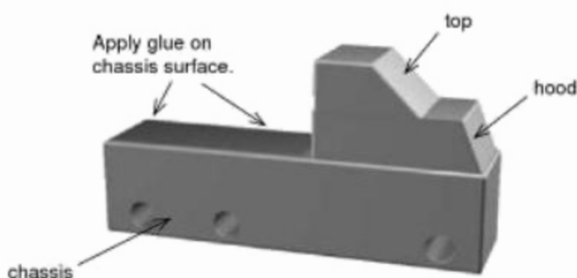
## Emergency Vehicle Plan Set



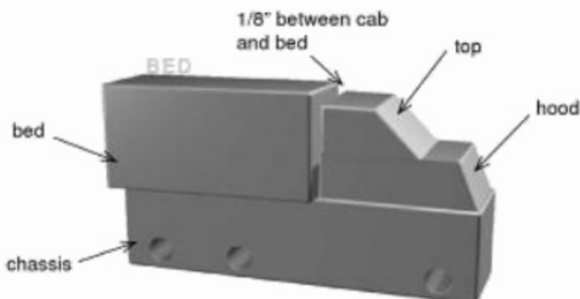
1. Round the edges of the chassis and the front edges of the hood slightly prior to applying the woodworker's glue to the underside of the hood. A piece of 100 grit sandpaper wrapped around a small block works well for creating smooth and straight rounded edges.



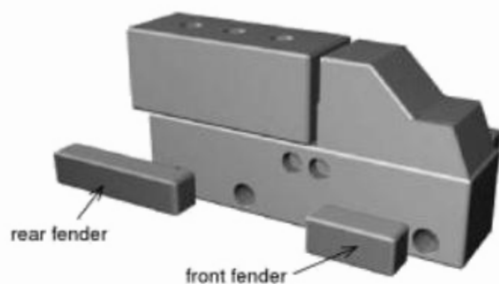
2. Add glue to top on the bottom side. Press the top down and slide it around to spread the glue evenly. Press down on the top to seat it against the hood. The top and hood are slightly narrower than the chassis and fit side to side in the center of the chassis.



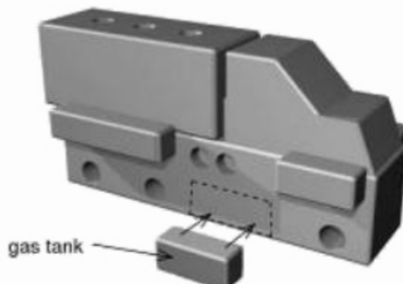
3. Apply glue to the chassis where the bed is attached. The truck bed is to be aligned in the center of the chassis left to right.



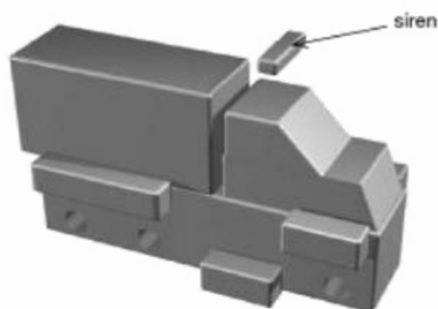
4. Press the bed firmly against the chassis and move it back and forth to spread the glue. Leave a 1/8" space between the cab and the bed as shown in the side view on page 46.



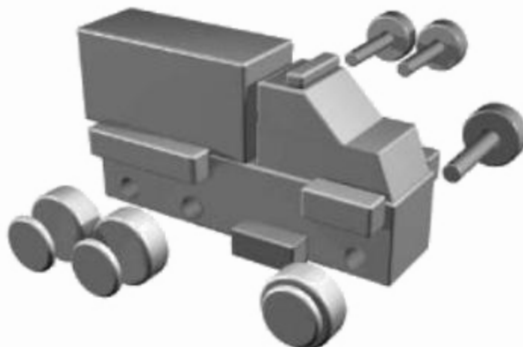
5. Apply glue to the contact surface of the fenders and press each into position tightly on the chassis. Set the chassis aside until the glue is dry.



6. Apply glue to the contact surface of the gas tanks and press each into position tightly on the chassis. Set the chassis aside until the glue is dry.



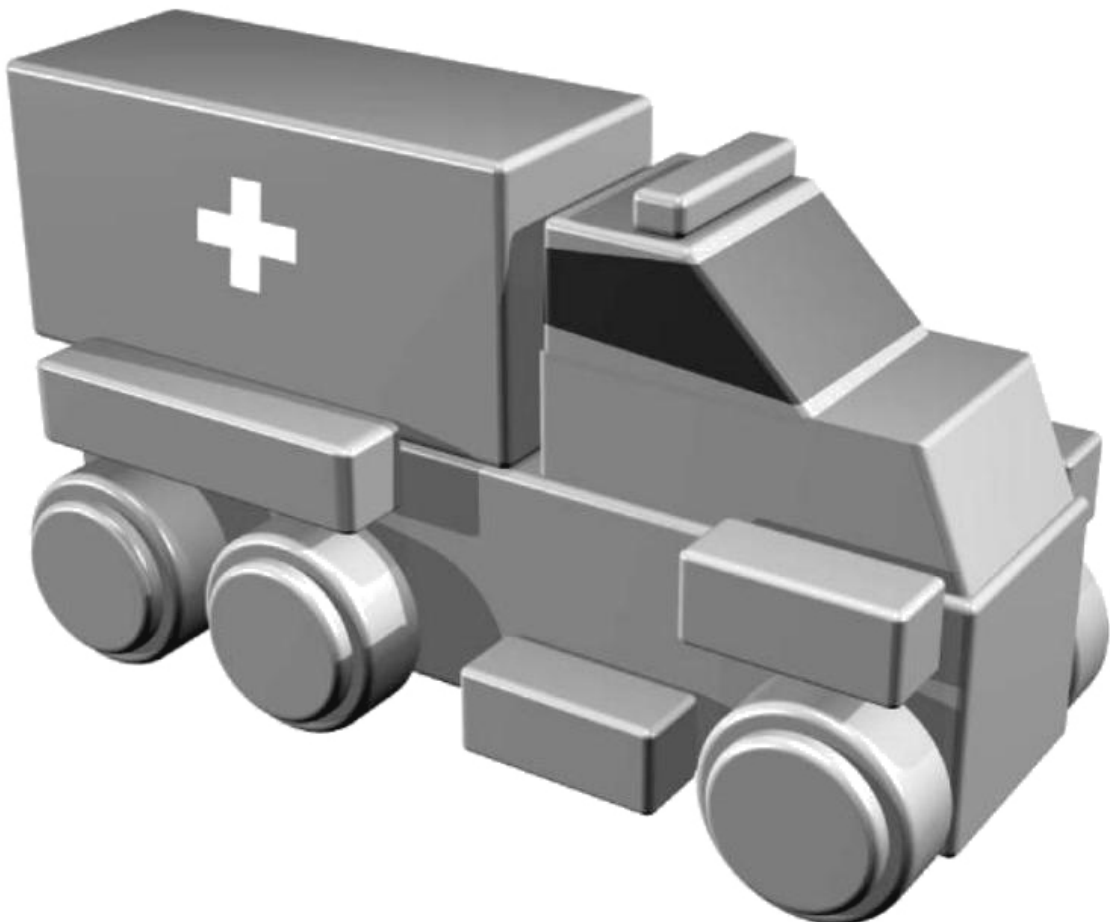
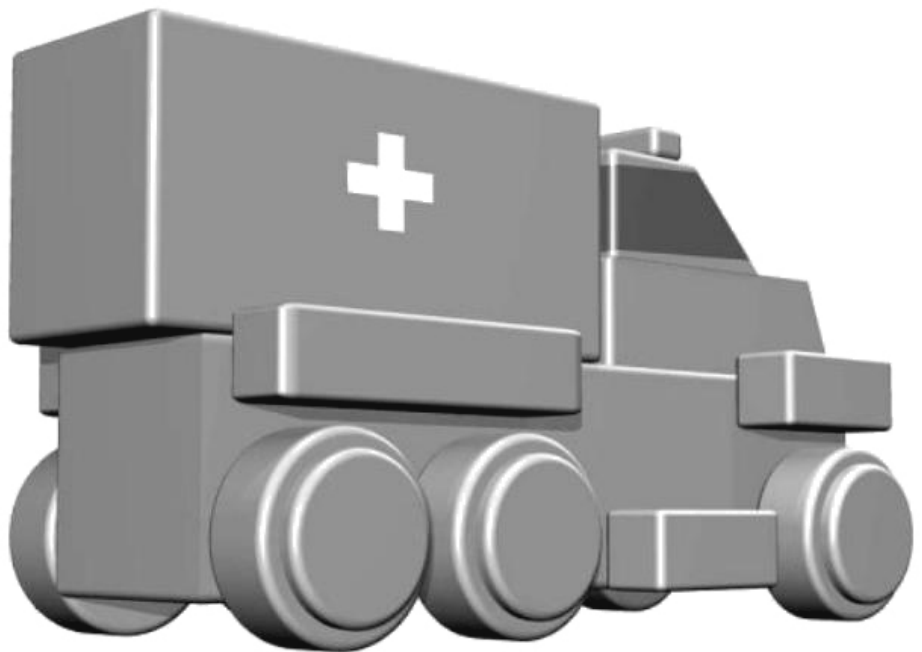
7. Apply glue to the underside of the siren. Press the siren firmly onto the top as shown above. Set the final assembly aside to allow the glue to dry completely.



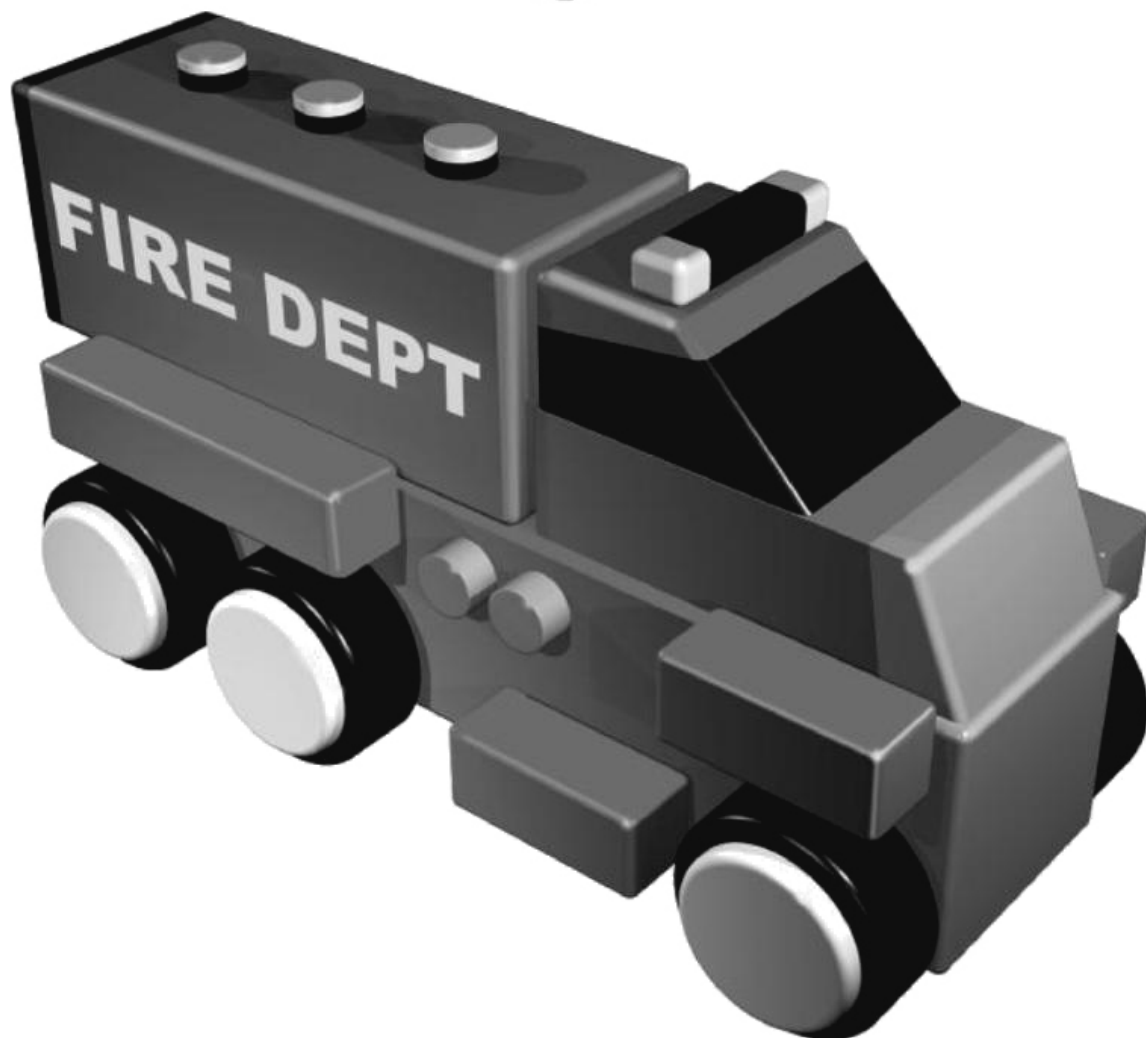
8. Glue hubcaps to wheels. Insert axle/wheel assemblies into the chassis. Add glue to holes of remaining wheels and press the wheels onto the axle ends.

9. The emergency vehicle looks great painted and unpainted. Color adds a lot of punch. Paint it a solid color with the wheels a contrasting color. Or it can be painted with multiple colors to create your own personal look.

10. Paint the emergency vehicle using waterbased enamels. First apply 3 coats, sanding between with 200 grit paper. Then add trim. Use painter's trim masking tape for a clean edge. The hubcaps can be painted with an artist's brush.

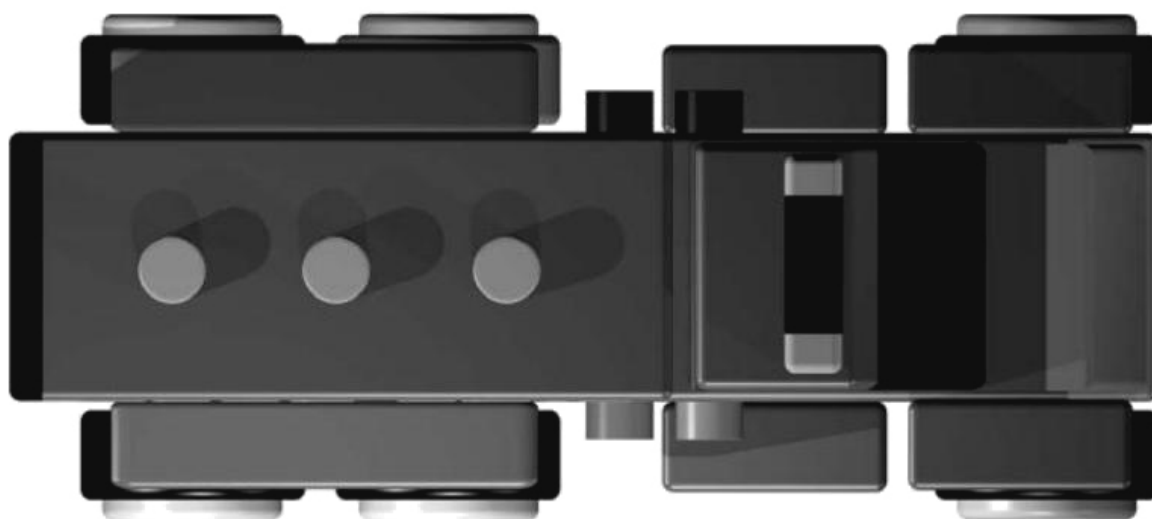


Fire Truck Plan Set



1. CHASSIS	MAKE 1	1-1/2" X 1-1/2" X 6"	PINE
2. HOOD	MAKE 1	3/4" X 1-3/8" X 2-9/16"	PINE
3. TOP	MAKE 1	3/4" X 1-3/8" X 1-11/16"	PINE
4. BED	MAKE 1	1-1/2" X 1-1/2" X 3-3/4"	PINE
5. FEN-TANK	MAKE 4	1/2" X 1/2" X 1-1/4"	PINE
6. REAR FENDER	MAKE 2	1/2" X 1/2" X 2-3/8"	PINE
7. HOSE PLUGS	MAKE 4	1" X 3/8" DIAMETER	DOWEL
8. HOSE CAPS	MAKE 3	3/4" X 3/8" DIAMETER	DOWEL
9. SIREN	MAKE 1	3/16" X 3/8" X 1-1/4"	PINE
10. AXLE	MAKE 3	2-1/4" X 3/8" DIAMETER	DOWEL
11. WHEEL	MAKE 6	1/2" X 1-1/4" DIAMETER	DOWEL
12. HUBCAP	MAKE 6	1/8" X 1" DIAMETER	DOWEL

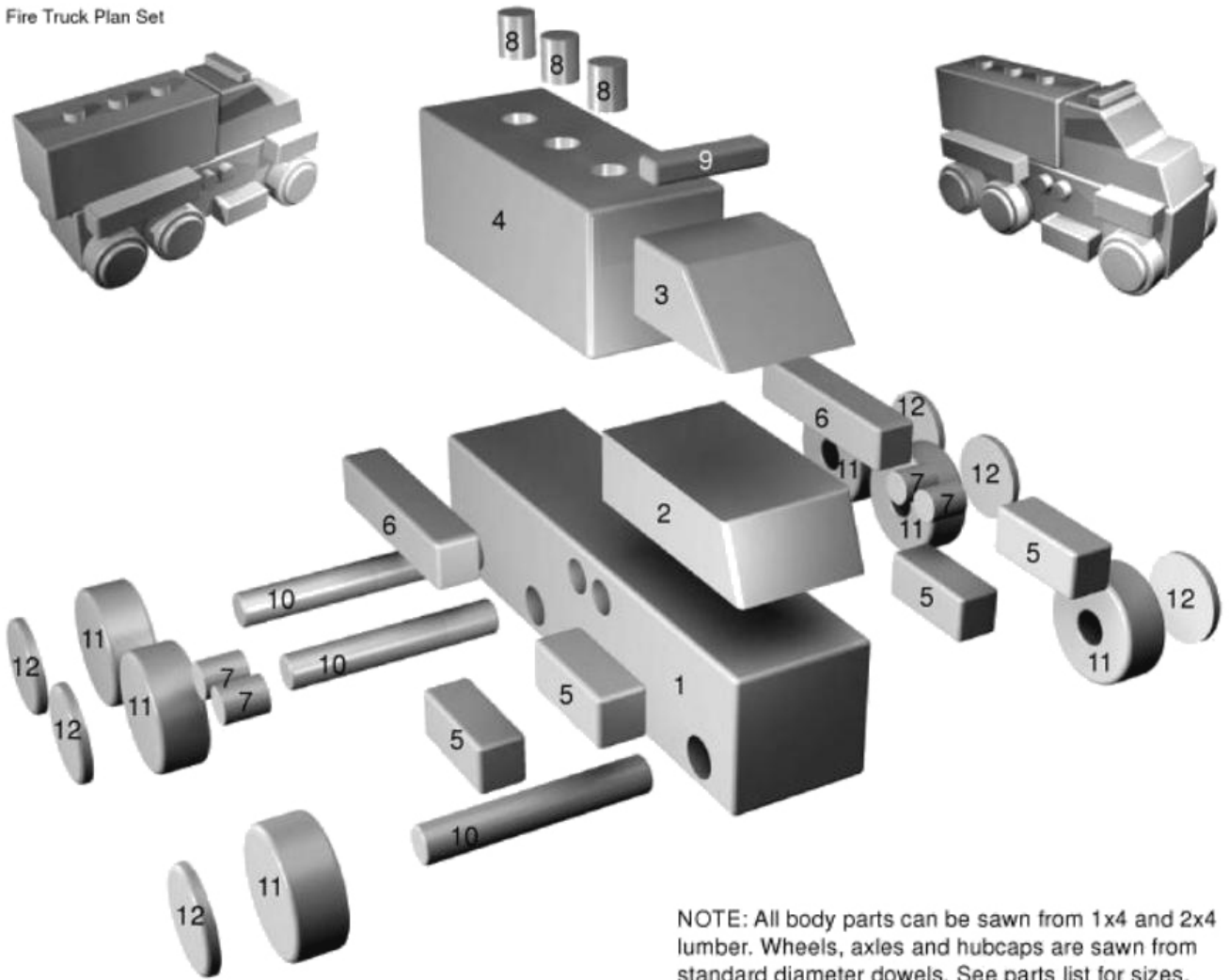
NOTE: All body parts can be sawn from 1x4 and 2x4 lumber. Wheels, axles and hubcaps are sawn from standard diameter dowels. See parts list for sizes.



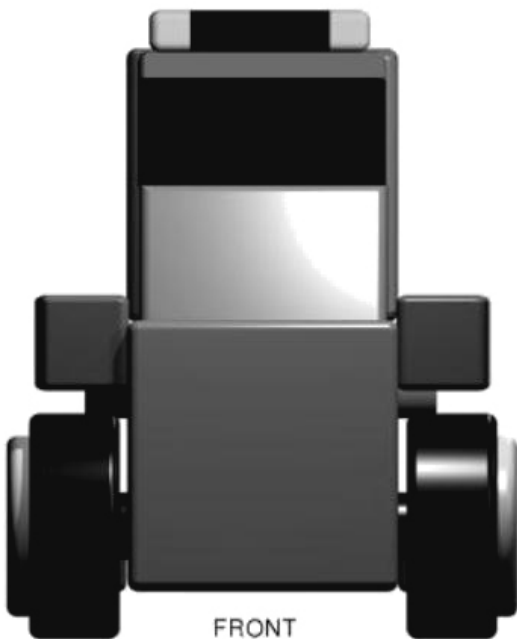
actual size

SIDE

Fire Truck Plan Set

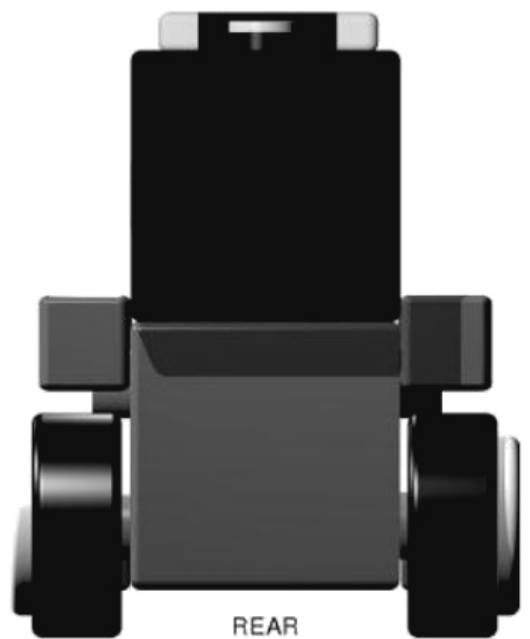


NOTE: All body parts can be sawn from 1x4 and 2x4 lumber. Wheels, axles and hubcaps are sawn from standard diameter dowels. See parts list for sizes.

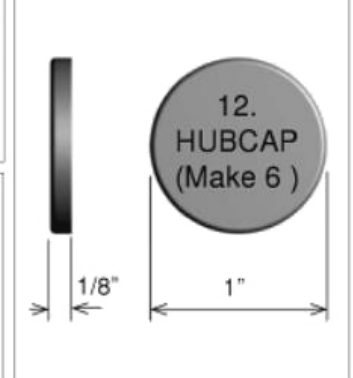
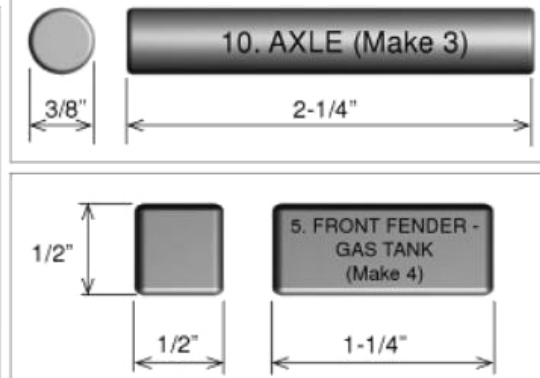
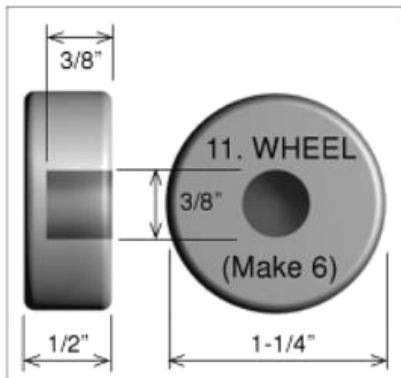
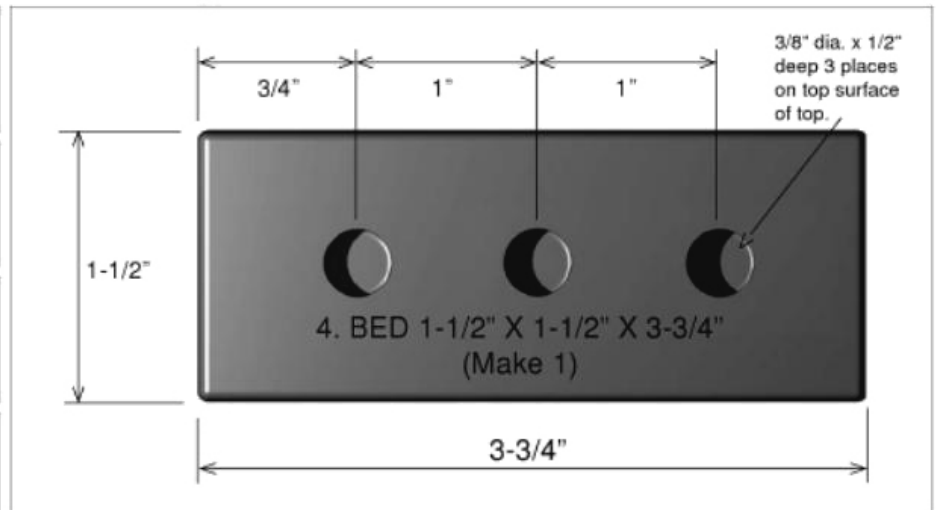
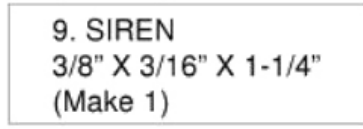
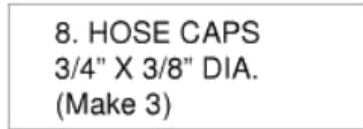
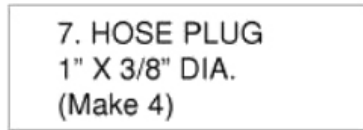
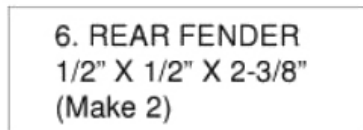
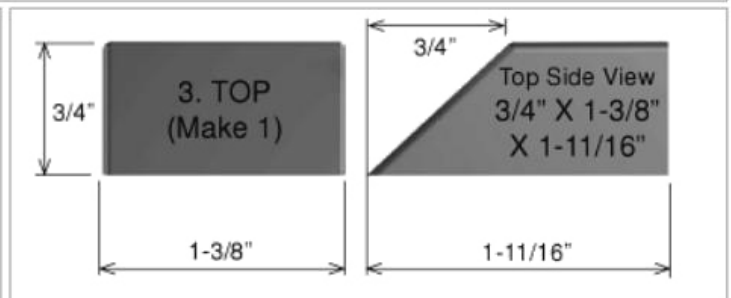
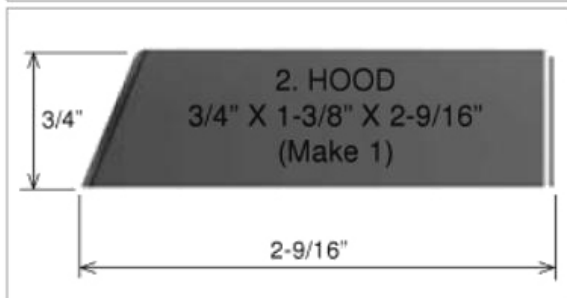
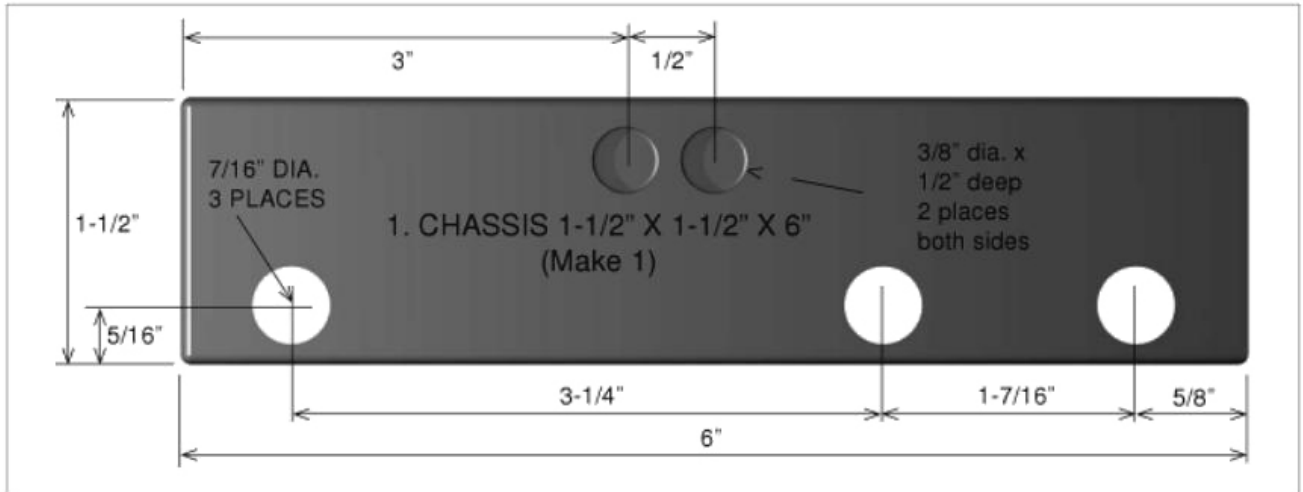


FRONT

actual size



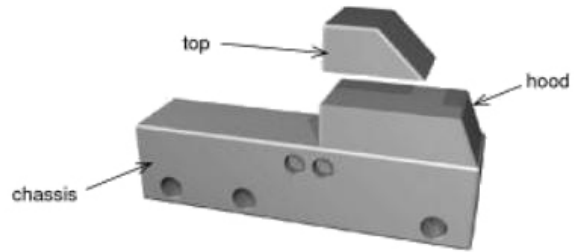
REAR



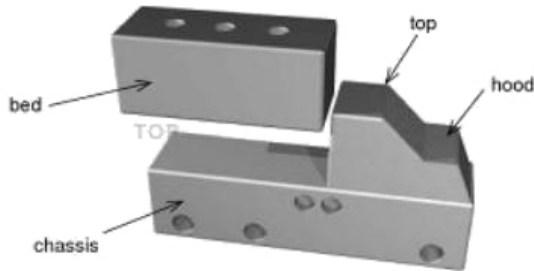
Fire Truck Plan Set



1. Round the edges of the chassis and the front edges of the hood slightly prior to applying the woodworker's glue to the underside of the hood. A piece of 100 grit sandpaper wrapped around a small block works well for creating smooth and straight rounded edges.



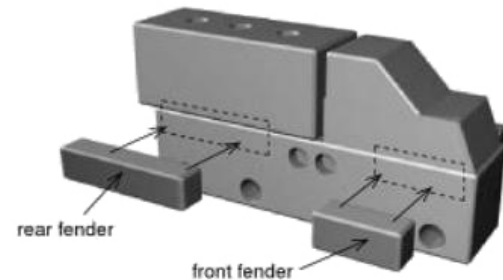
2. Add glue to top on the bottom side. Press the top down and slide it around to spread the glue evenly. Press down on the top to seat it against the hood. The top and hood are slightly narrower than the chassis and fit side to side in the center of the chassis.



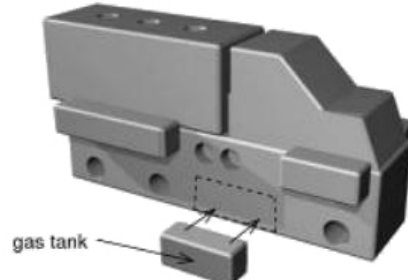
3. Apply glue to the chassis where the bed is attached. Press the bed firmly against the chassis and move it back and forth to spread the glue.



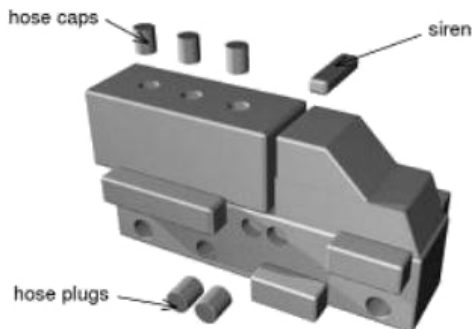
4. The truck bed is aligned in the center of the chassis left to right. Leave a little space between the cab and the bed as shown in the side view on page 52.



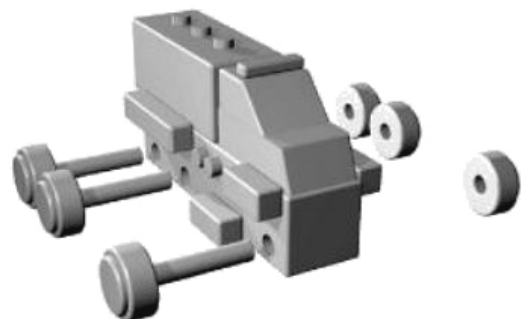
5. Apply glue to the contact surface of the fenders and press each into position tightly on the chassis. Set the chassis aside until the glue is dry.



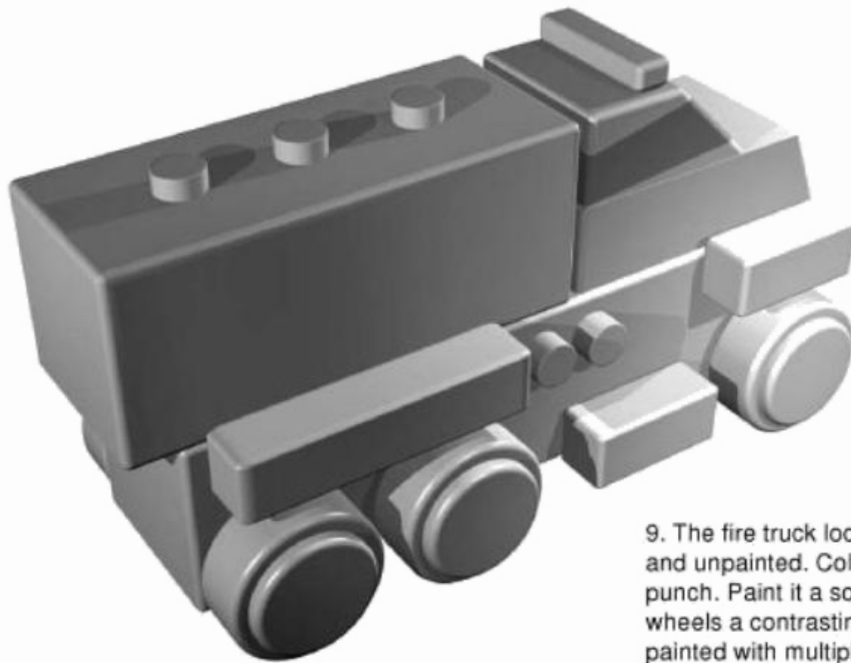
6. Apply glue to the contact surface of the gas tanks and press each into position tightly on the chassis. Set the chassis aside until the glue is dry.



7. Apply glue to 7 dowel ends and press each firmly into holes in the chassis and truck bed. Apply glue to siren block and press siren firmly to truck cab top.

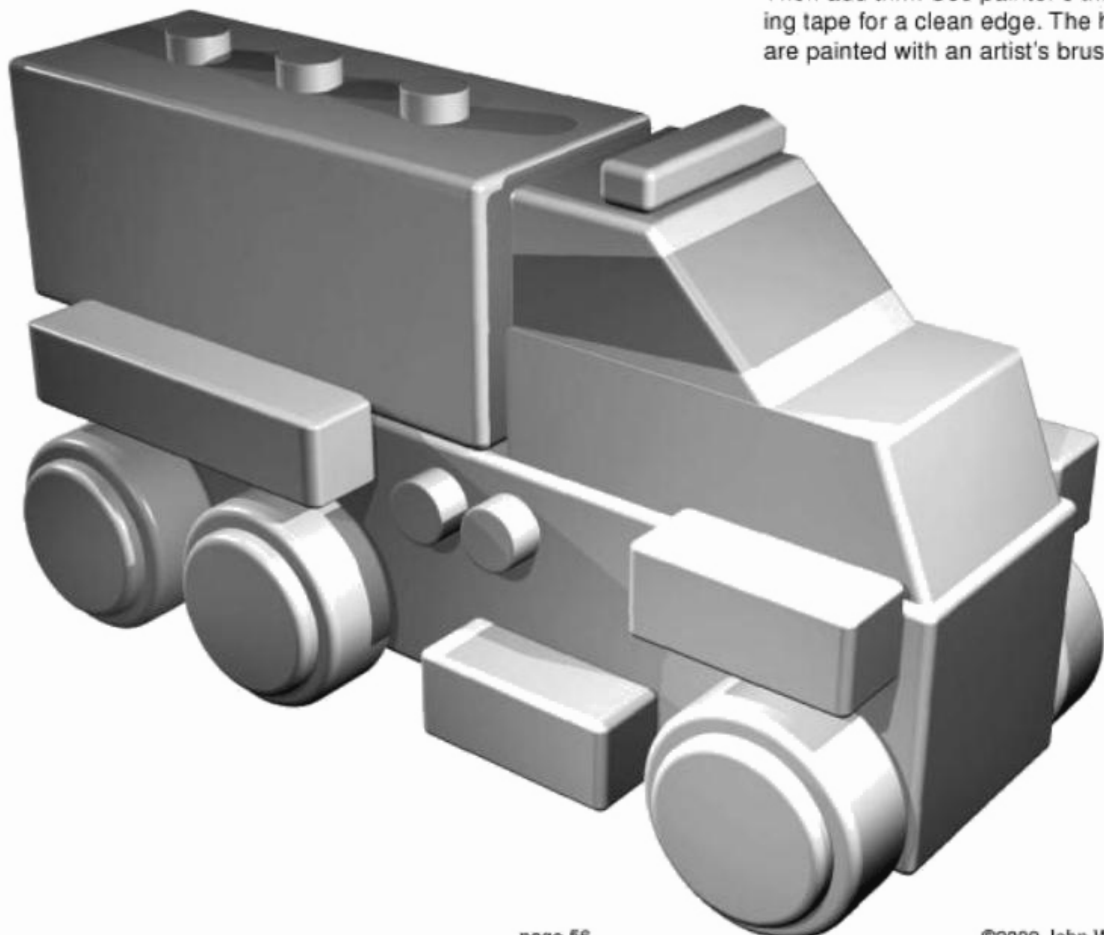


8. Glue hubcaps to wheels. Insert axle/wheel assemblies into the chassis. Add glue to holes of remaining wheels and press the wheels onto the axle ends.

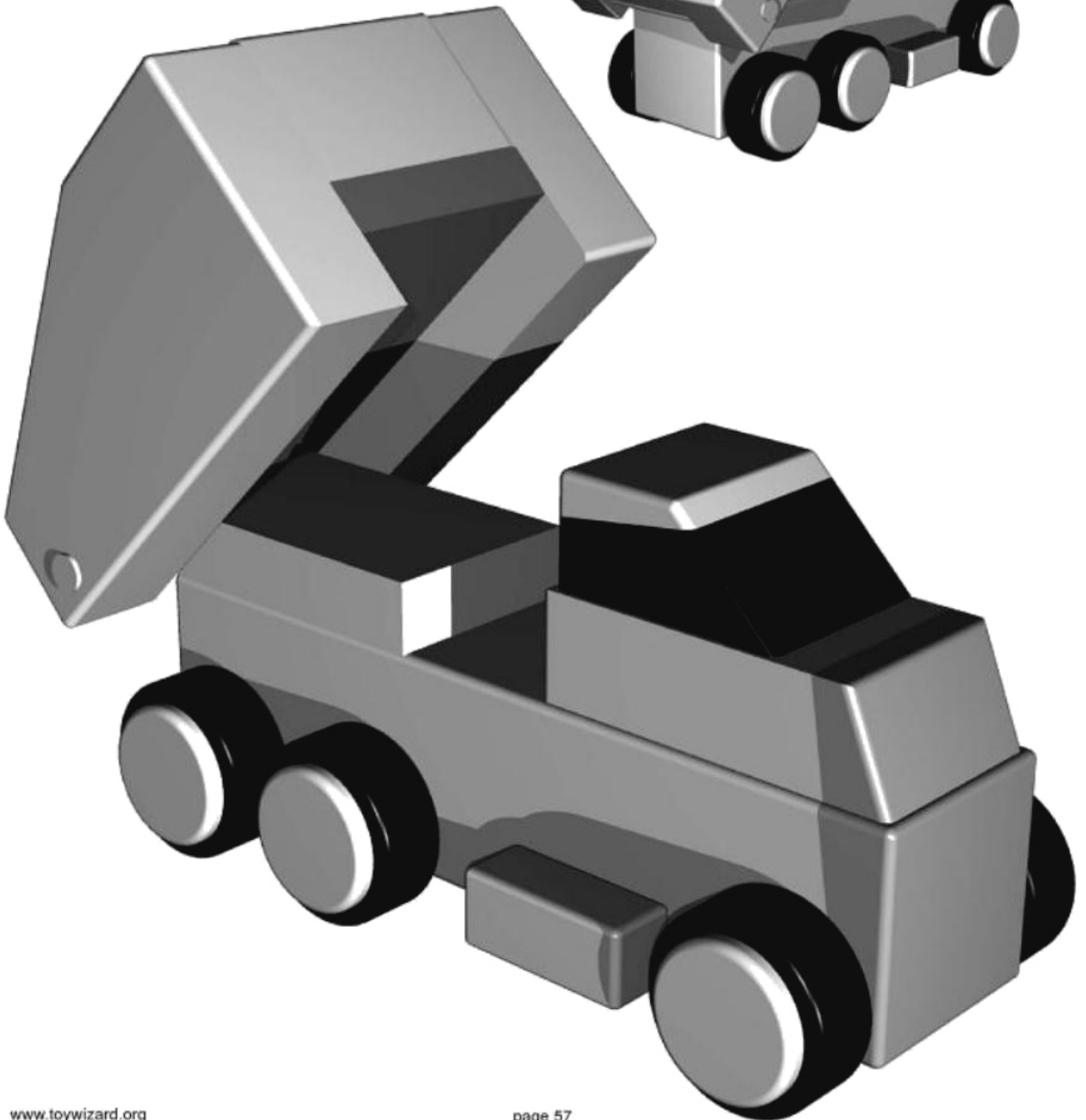


9. The fire truck looks great painted and unpainted. Color adds a lot of punch. Paint it a solid color with the wheels a contrasting color. Or it can be painted with multiple colors to create your own personal look.

10. Paint the fire truck using water-based enamels. First apply 3 coats, sanding between with 200 grit paper. Then add trim. Use painter's trim masking tape for a clean edge. The hubcaps are painted with an artist's brush.



Dump Truck Plan Set

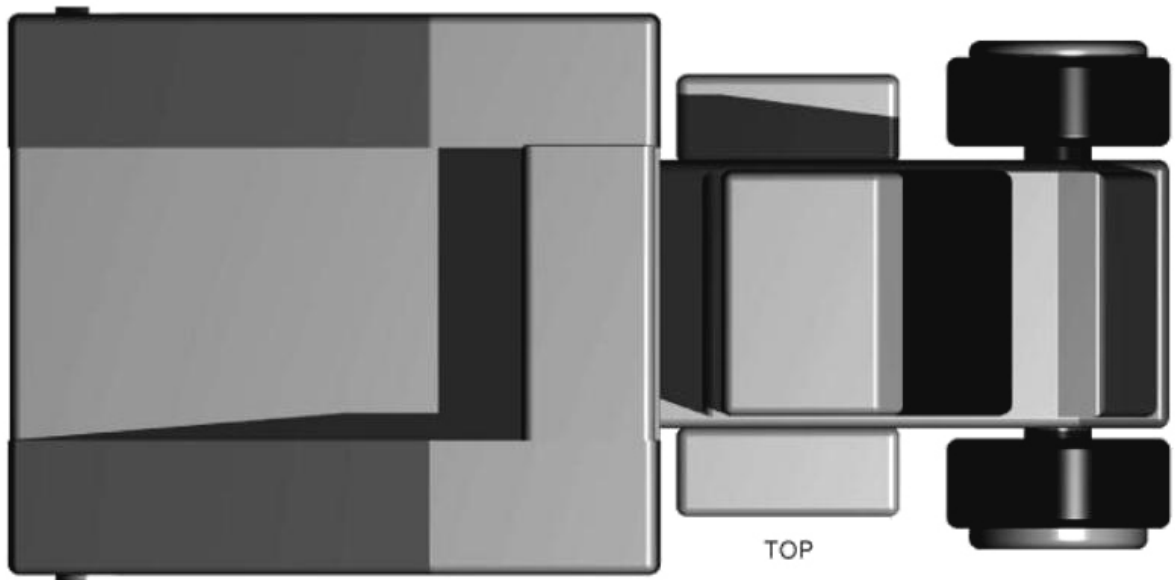


DUMP TRUCK PARTS LIST

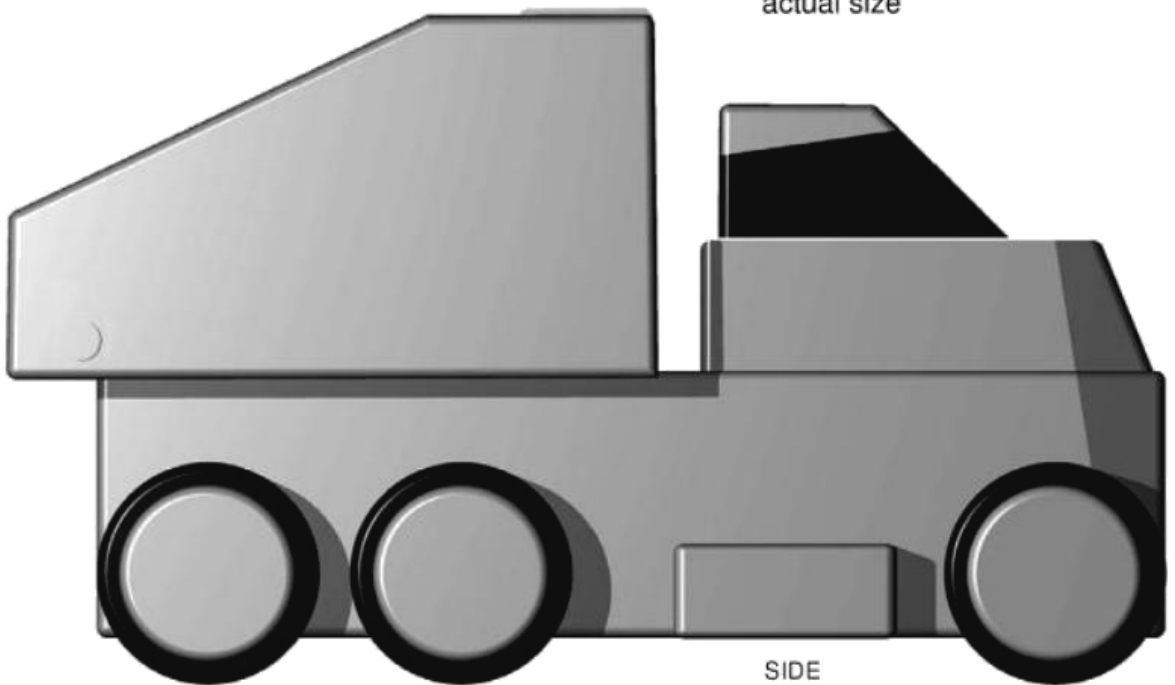
Dump Truck Plan Set

1. CHASSIS	MAKE 1	1-1/2" X 1-1/2" X 6"	PINE
2. HOOD	MAKE 1	3/4" X 1-3/8" X 2-9/16"	PINE
3. TOP	MAKE 1	3/4" X 1-3/8" X 1-11/16"	PINE
4. BED REST	MAKE 1	1/2" X 1-1/2" X 2-1/2"	PINE
5. BED BASE	MAKE 1	3/8" X 1-5/8" X 3-5/8"	PINE
6. BED SIDE	MAKE 2	3/4" X 2" X 3-5/8"	PINE
7. BED END	MAKE 1	3/4" X 1-5/8" X 1-1/8"	PINE
8. GAS TANK	MAKE 2	1/2" X 1/2" X 1-1/4"	PINE
9. AXLE	MAKE 3	2-1/4" x 3/8" DIAMETER	DOWEL
10. WHEEL	MAKE 6	1/2" X 1-1/4" DIAMETER	DOWEL
11. HUBCAP	MAKE 6	1/8" X 1" DIAMETER	DOWEL
12. SWIVEL	MAKE 2	1-1/4" X 1/4" DIAMETER	DOWEL

NOTE: All body parts can be  
sawn from 1x4 and 2x4 lumber.  
Wheels, axles and hubcaps are  
sawn from standard diameter  
dowels. See parts list for sizes.

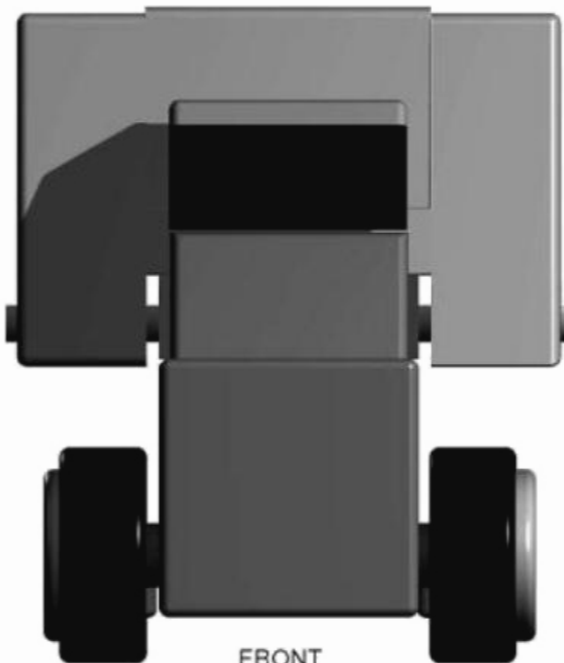
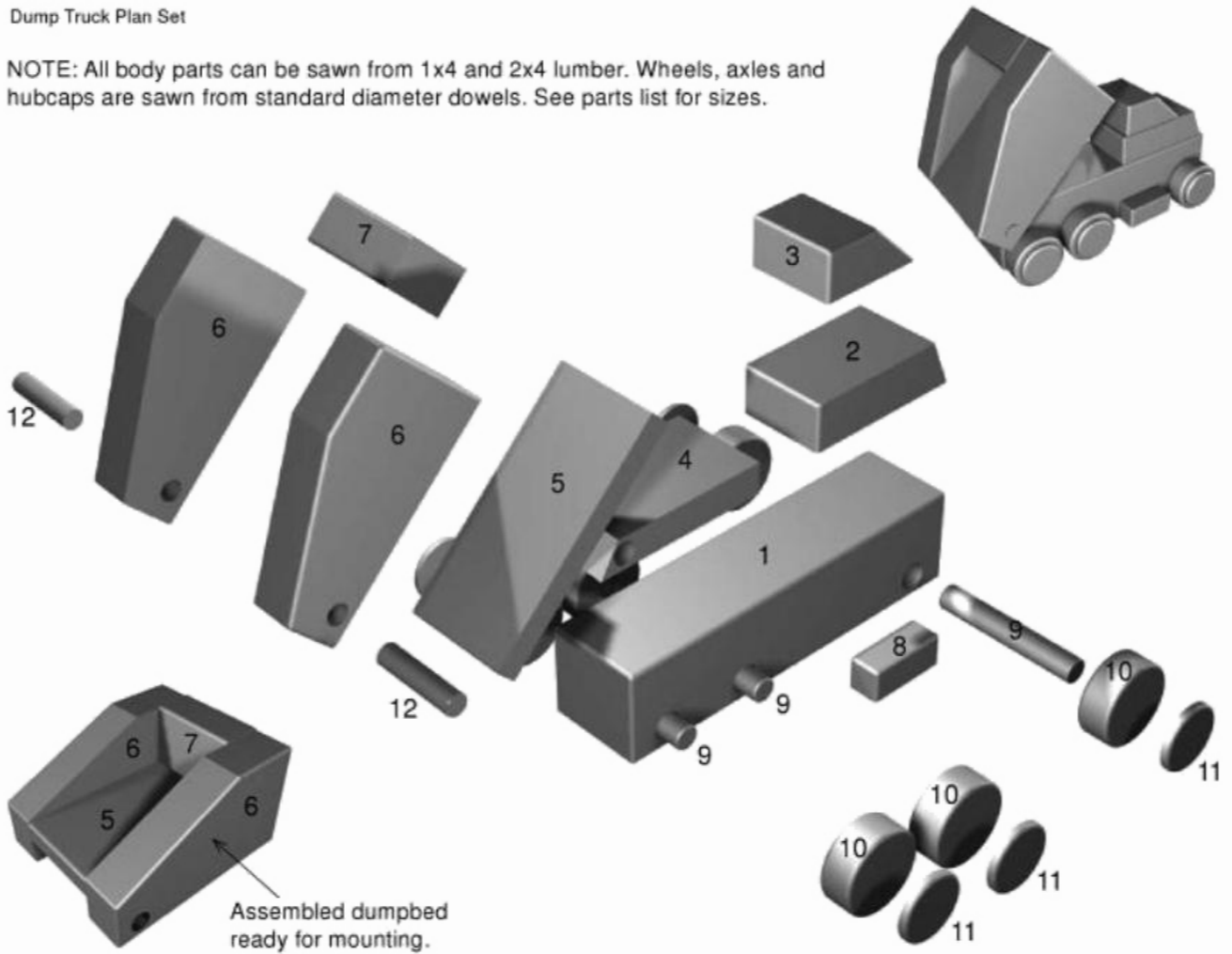


actual size

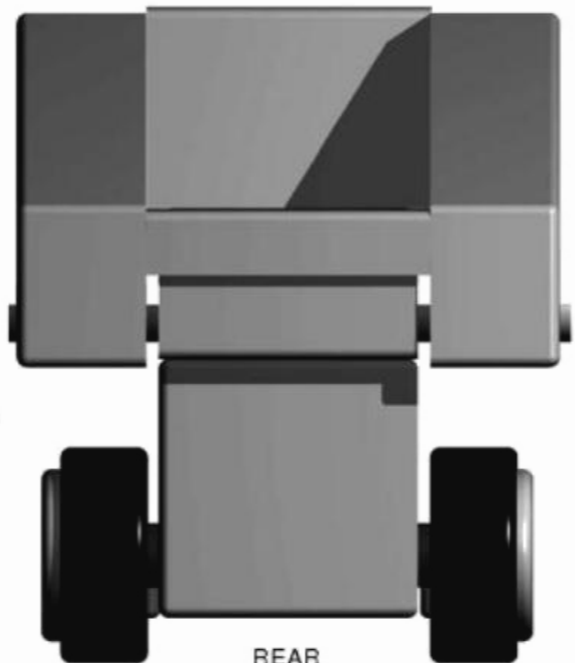


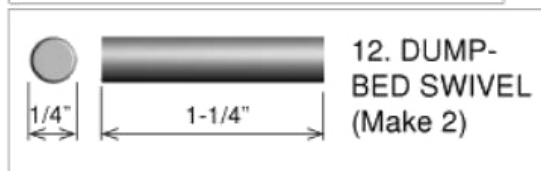
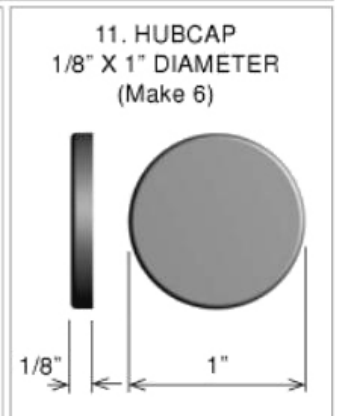
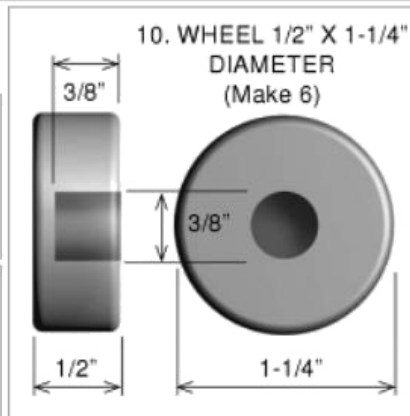
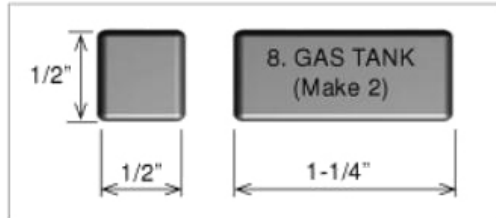
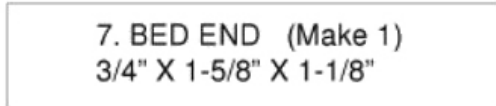
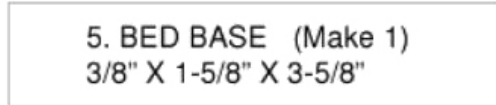
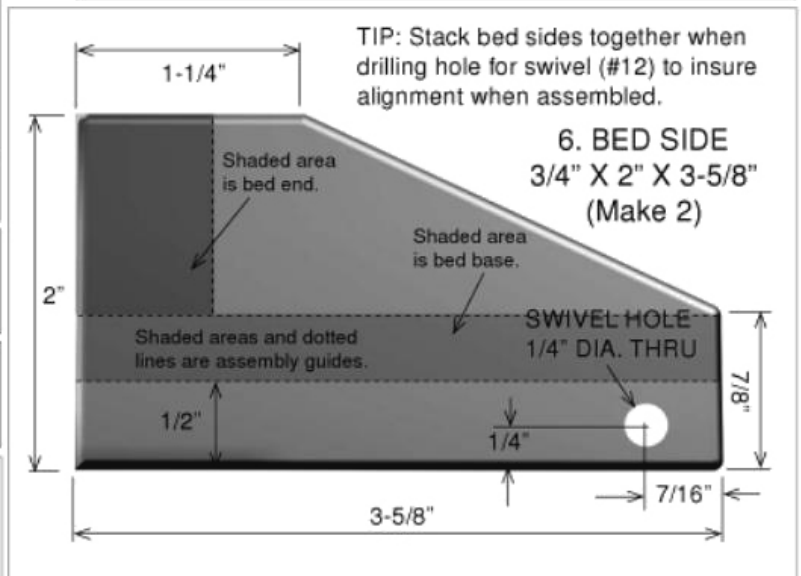
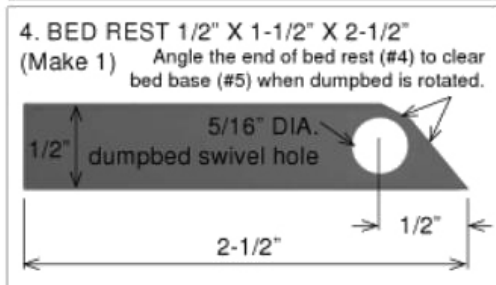
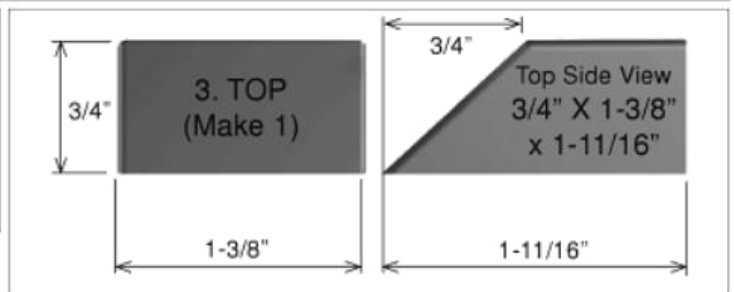
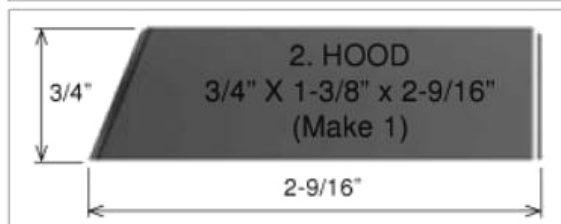
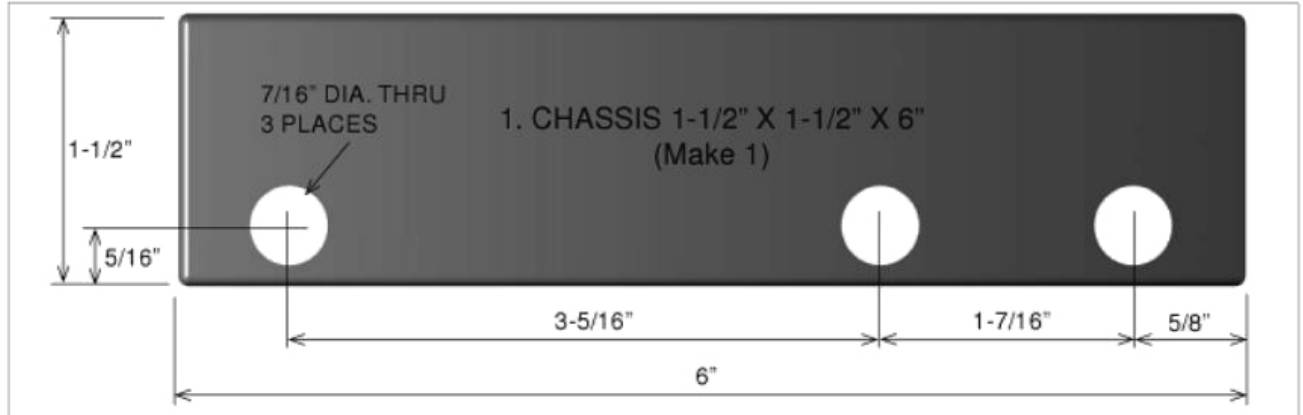
Dump Truck Plan Set

NOTE: All body parts can be sawn from 1x4 and 2x4 lumber. Wheels, axles and hubcaps are sawn from standard diameter dowels. See parts list for sizes.



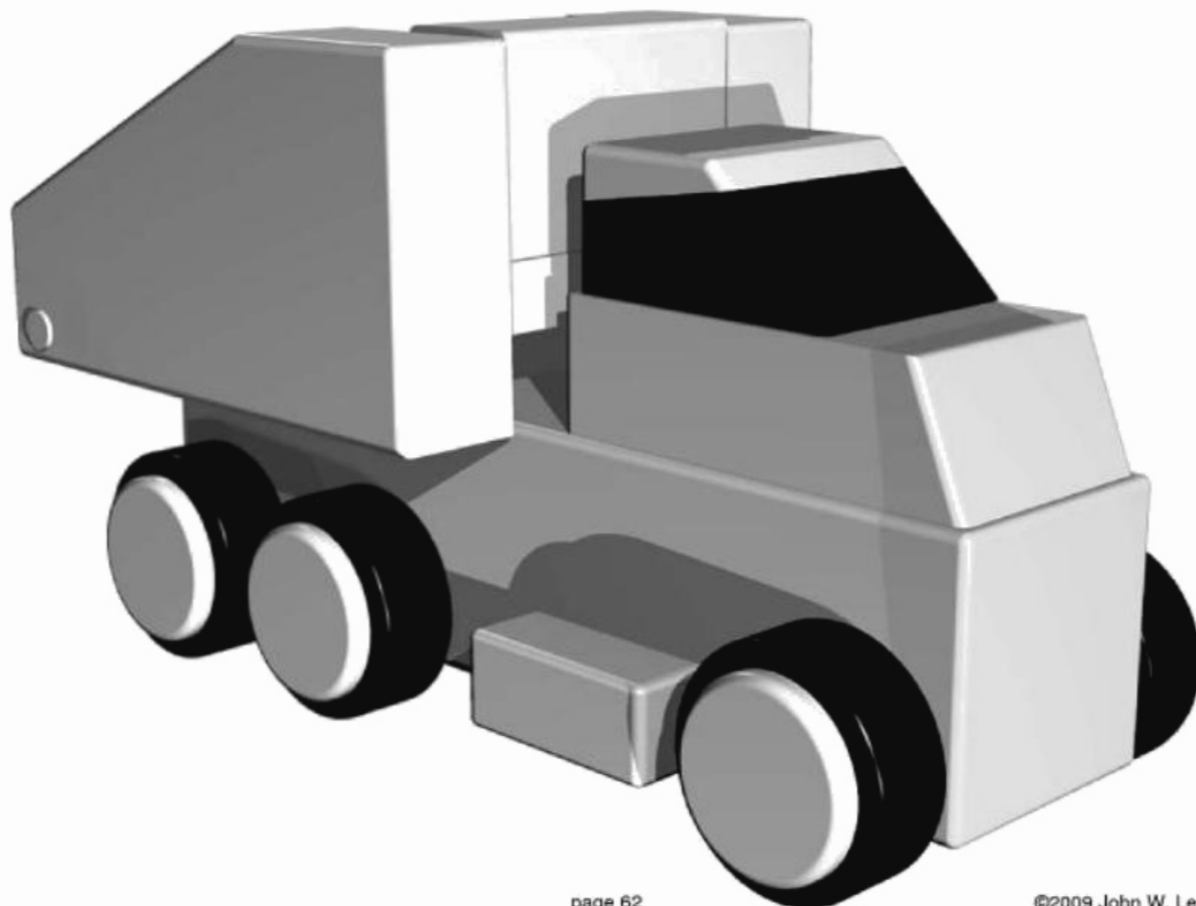
actual size







9. The dumprtruck looks great painted and unpainted. Color adds a lot of punch. Paint it a solid color with the wheels a contrasting color. Or it can be painted with multiple colors to create your own personal look.



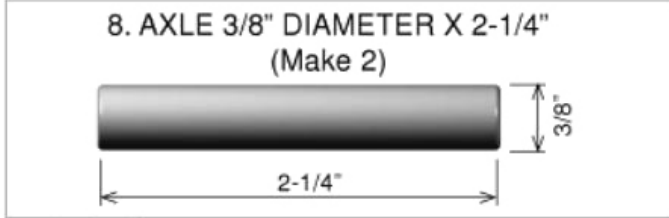
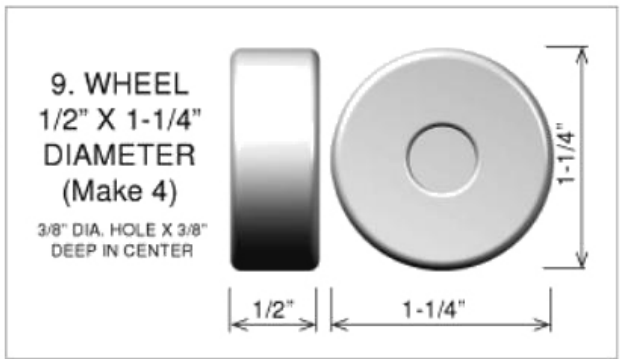
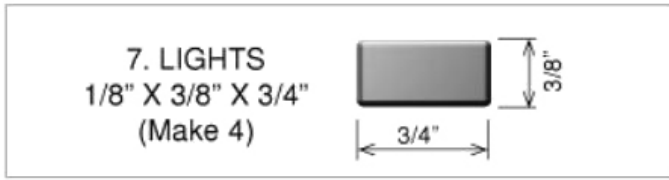
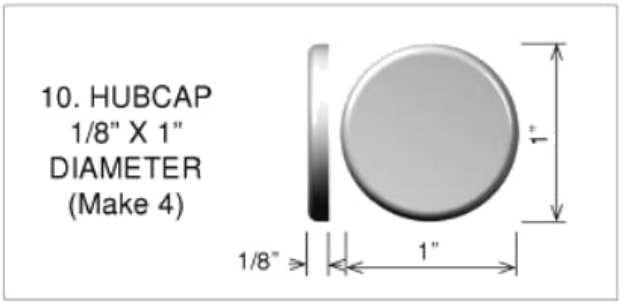
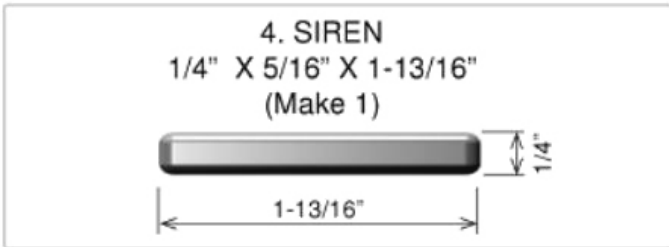
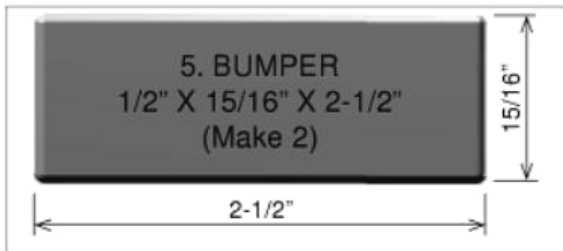
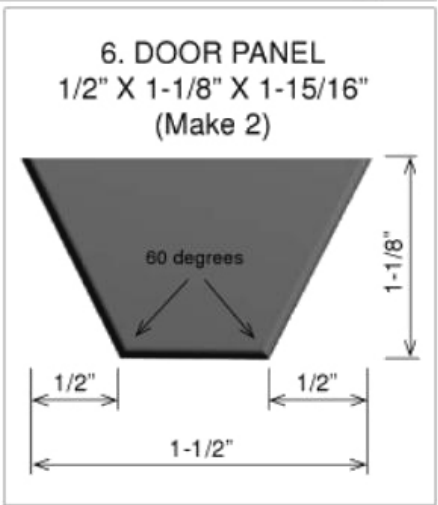
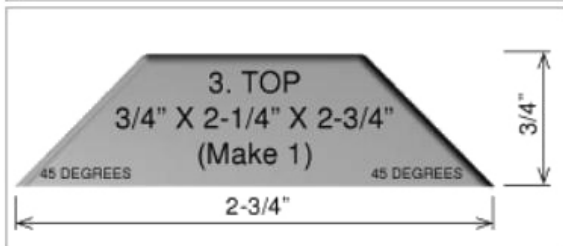
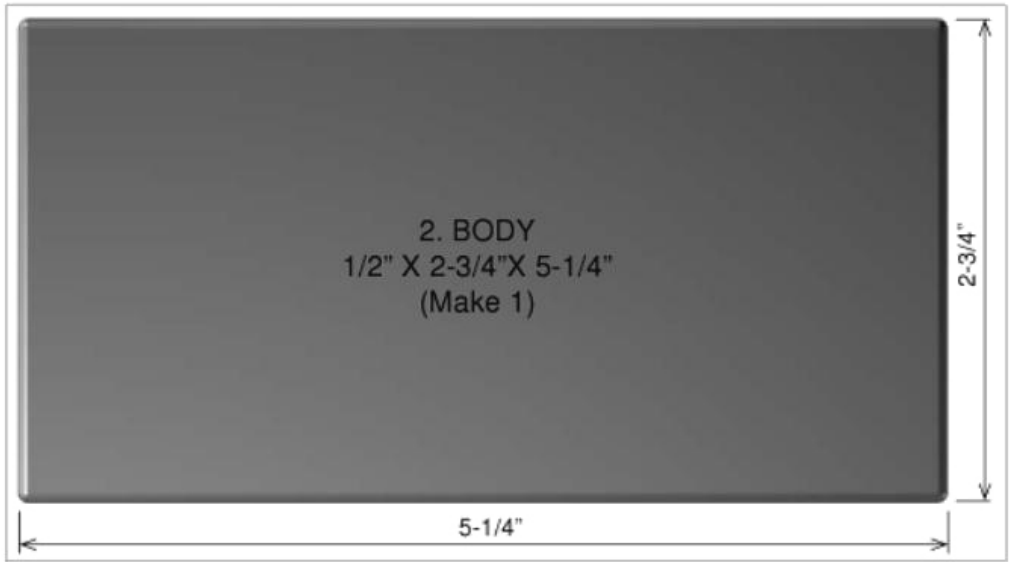
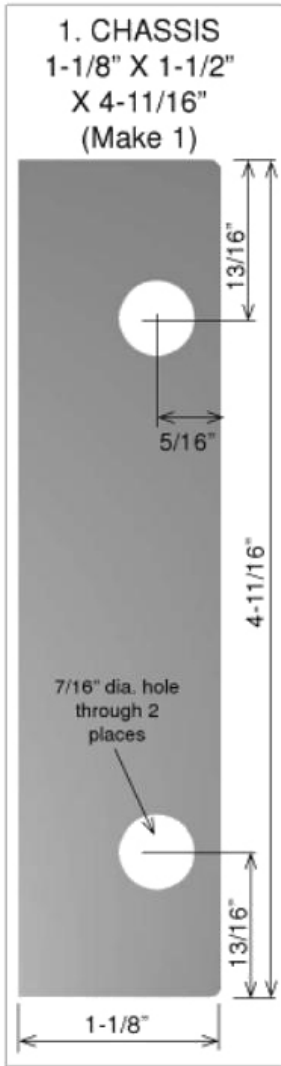
Police Car Plan Set



FRONT

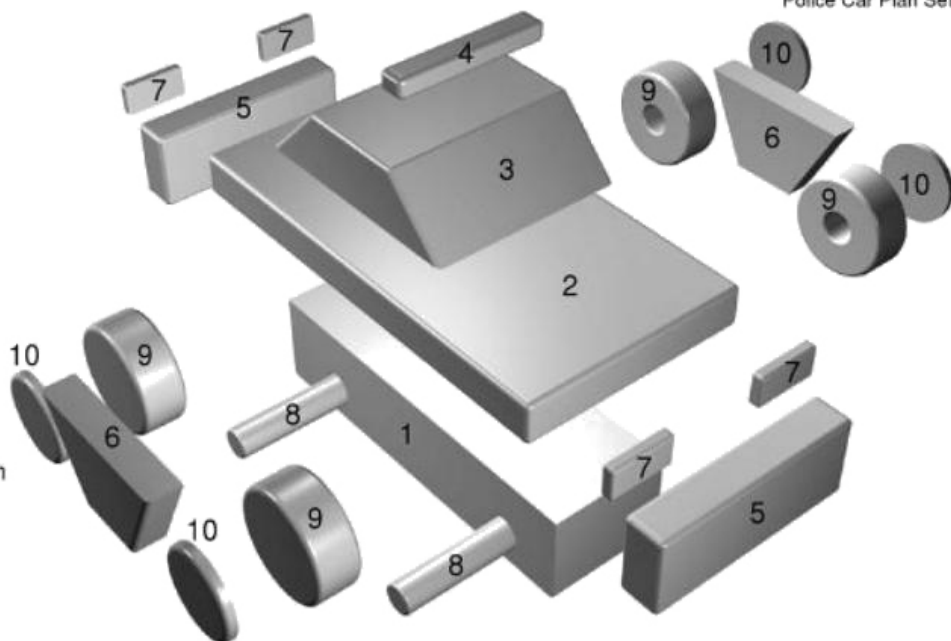


REAR





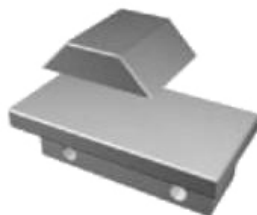
The police car looks great painted to match your local Police Force colors. Or paint it a solid color with wheels a contrasting color. Or coat it with clear polyurethane varnish for a natural look.



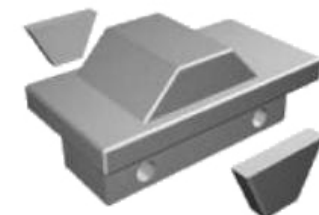
1. Round off edges of the parts prior to applying woodworker's glue to the underside of the body. 100 grit sandpaper wrapped to a small block works well for smooth and straight rounded edges.



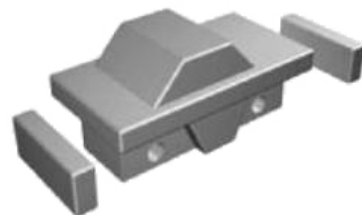
2. Apply glue to bottom of body. Press to chassis. Slide each around to spread glue evenly. Align the body carefully on the chassis as shown on page 64. Press the body firmly into place.



3. Apply glue to top. Center the top at 15/16" from rear edge of body. Slide top around to spread glue evenly. Once glue has a grip press top into place. Allow glue to dry before proceeding.



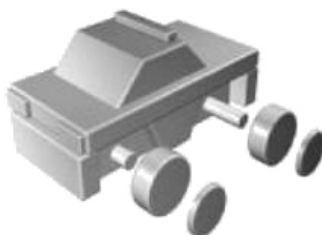
4. Apply glue to door panels and press into place on each side of chassis. Slide parts around to spread glue evenly. Once glue has a grip press door panel into place. Allow glue to dry before proceeding.



5. Apply glue to bumpers and set each into place on the chassis at 1/8" below bottom of body. Slide parts around to spread glue evenly. Once glue has a grip press parts into position. Allow glue to dry before proceeding.



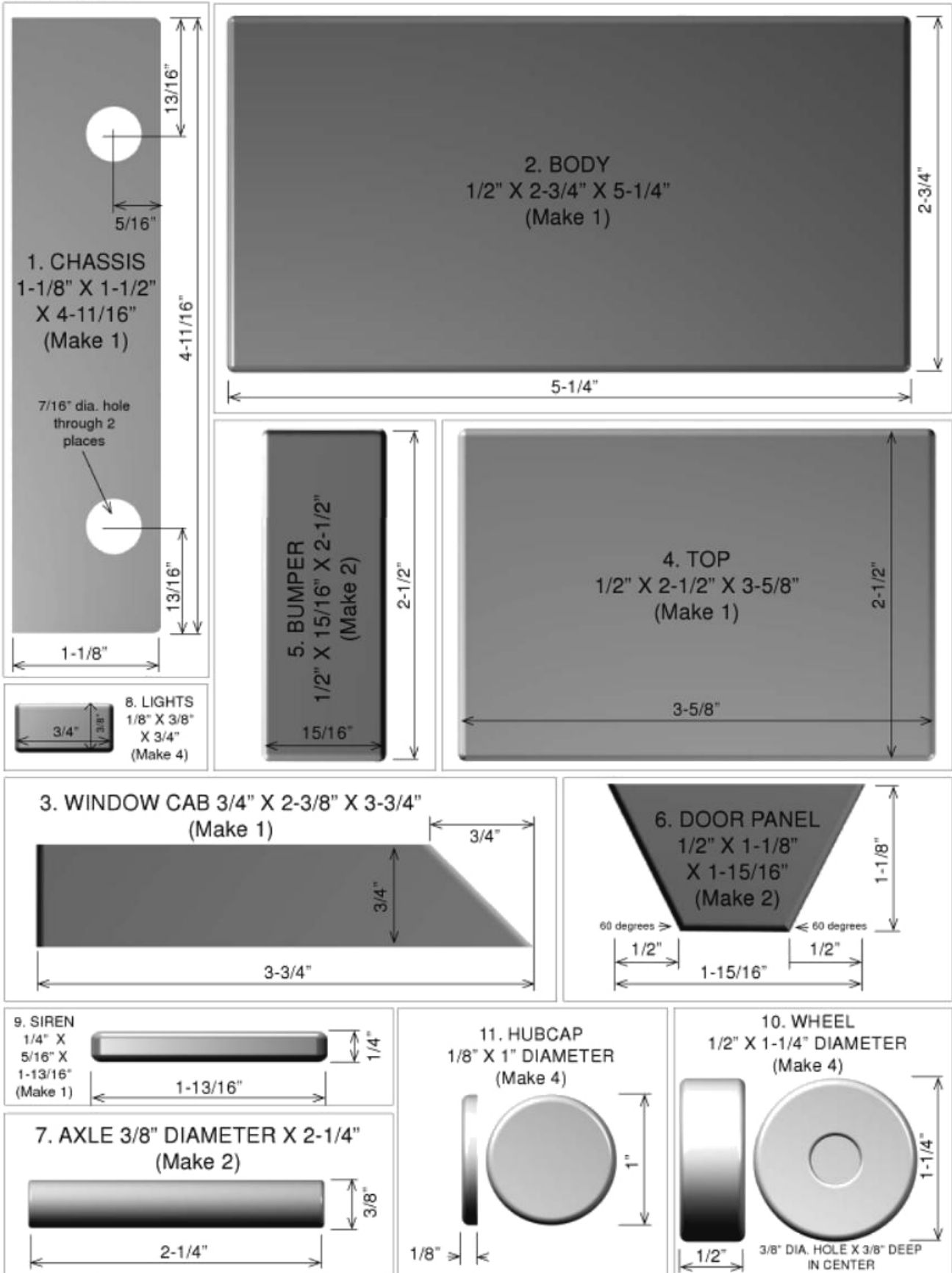
6. Apply glue to siren and four lights. Slide each around to spread glue evenly. Once glue has a grip press parts into position. Align lights and siren as shown in views on page 64.



7. Apply glue to hubcaps and place hubcaps on wheels. Slide each part around then press down for a tight fit. Let glue dry before proceeding. Glue axles to wheels after painting is completed.



8. Paint police car a solid color with water based enamel. Apply 3 coats, sanding first 2 coats with 200 grit paper. Added colors are masked with painter's trim masking tape for clean edge.





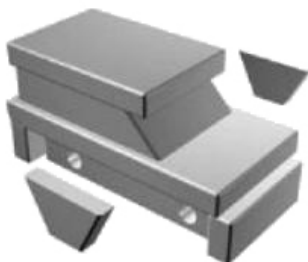
1. Round off edges of parts prior to applying woodworker's glue to underside of body. 100 grit sandpaper wrapped on a small block is good for shaping rounded edges.



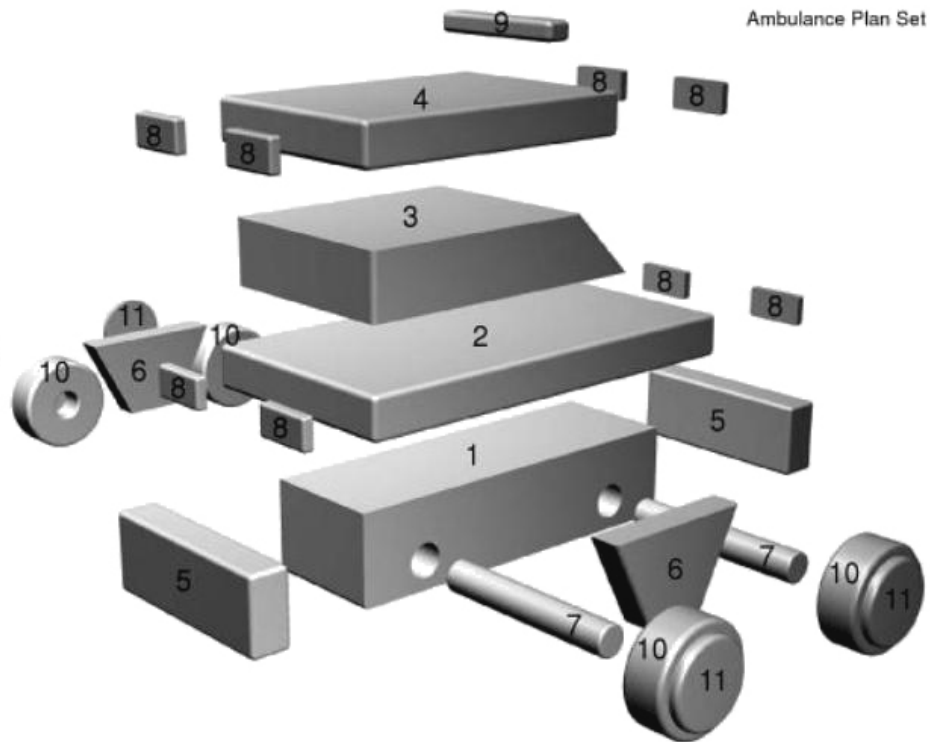
2. Apply glue to bottom of body. Press to chassis. Slide each around to spread glue evenly. Align the body carefully on the chassis as shown on page 68. Press the body firmly into place.



3. Apply glue to window cab. Position window cab on body. Slide window cab around to spread glue evenly. Once glue has a grip press panels into place. Allow glue to dry before proceeding.



6. Apply glue to both door panels. Slide each around to spread glue evenly. Once glue has a grip press parts into position on chassis. Align door panels as shown in views on page 68.

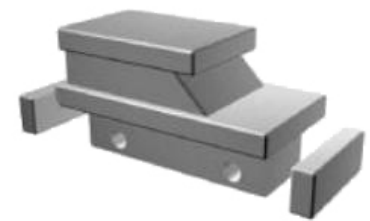


4. Apply glue to top and press into place at front on window cab. Slide top around to spread glue evenly. Once glue has a grip press top into place. Allow glue to dry before proceeding.



7. Apply glue to 8 lights and siren. Align the lights and siren with the top and body as shown on page 68. Slide each part around and press down for a tight fit. Let glue dry before proceeding.

The ambulance looks great unpainted. Or paint it a solid color with wheels a contrasting color. Paint with multiple colors for fun combos. First add a solid color with water based enamel. Apply 3 coats, sanding first 2 coats with 200 grit paper. Additional colors are masked with painter's trim masking tape for clean edge.

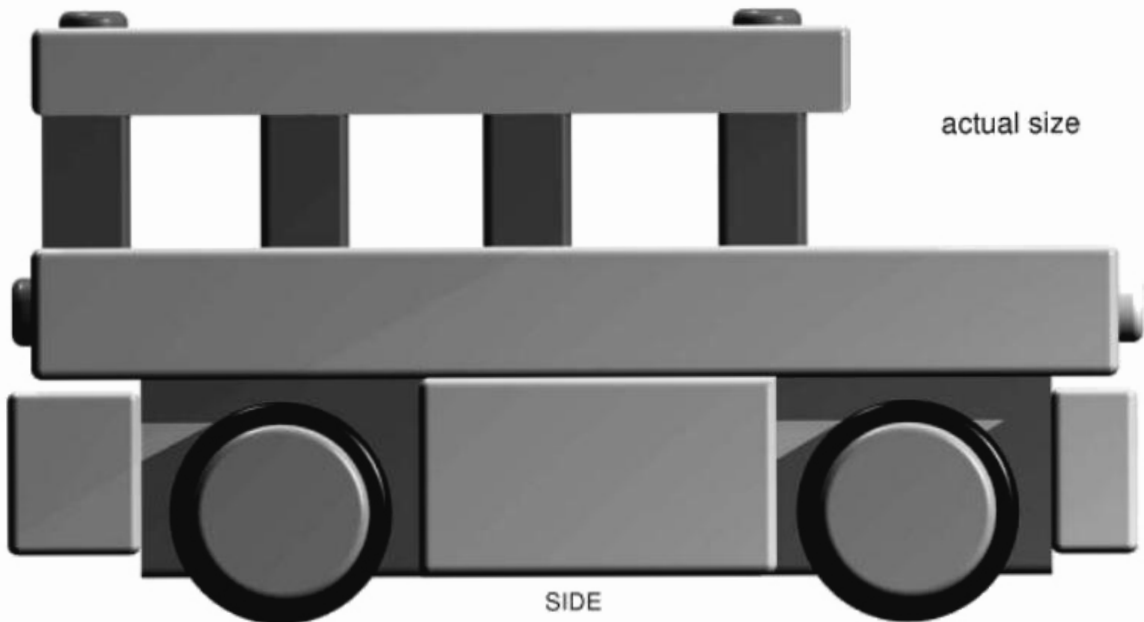
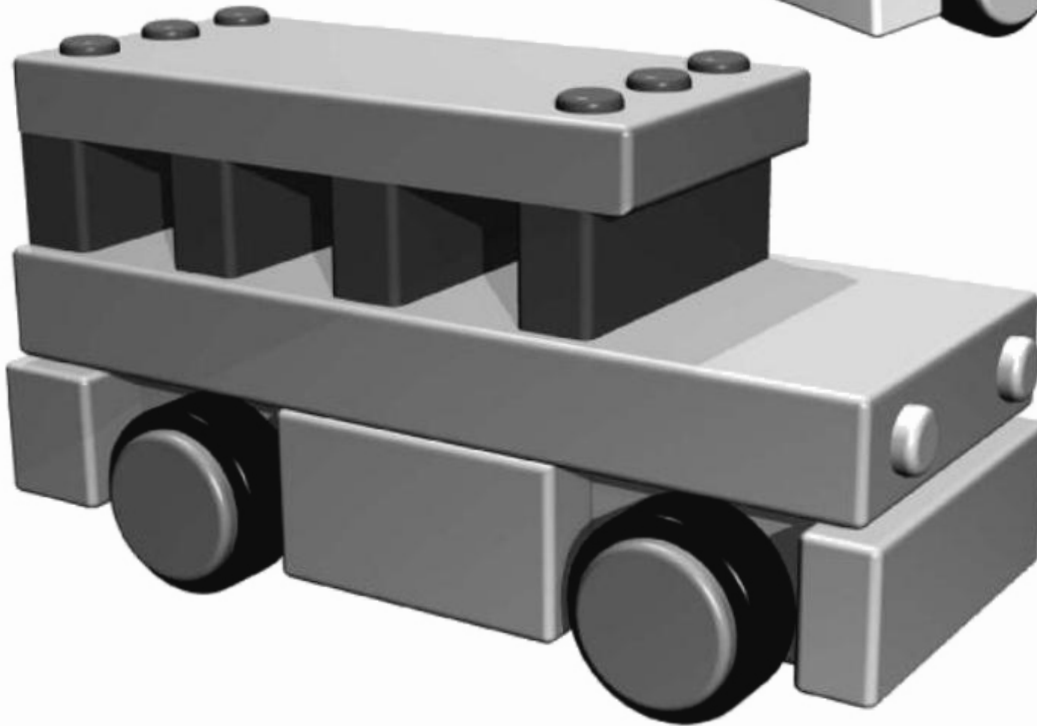
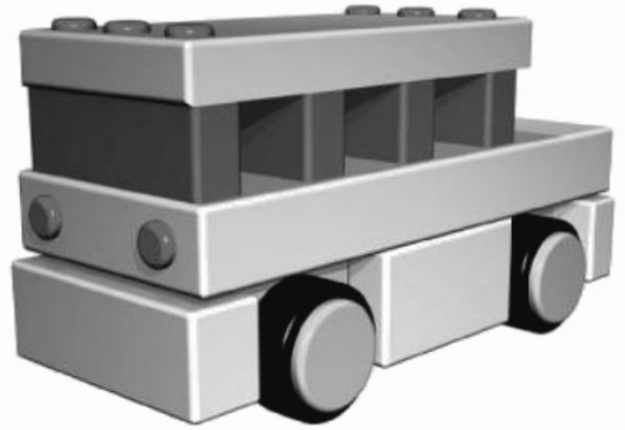


5. Apply glue to bumpers and set each into place on chassis. Slide parts around to spread glue evenly. Once glue has a grip press parts into position. Allow glue to dry before proceeding.



8. Apply glue to hubcaps and place hubcaps on wheels. Slide each part around then press down for a tight fit. Let glue dry before proceeding. Glue axles to wheels to ambulance after painting.

School Bus Plan Set



SIDE

page 71

SCHOOL BUS PARTS LIST

1. CHASSIS	MAKE 1	1-1/8" X 1-1/2" X 5-1/8"	PINE
2. BODY	MAKE 1	3/4" X 2-9/16" X 6-1/8"	PINE
3. WINDOW POST	MAKE 4	1/2" X 3/4" X 2-1/4"	PINE
4. TOP	MAKE 1	1/2" X 2-1/4" X 4-5/8"	PINE
5. LIGHTS	MAKE 10	1/4" X 3/8" DIAMETER	DOWEL
6. FRONT BUMPER	MAKE 1	1/2" X 15/16" X 2-9/16"	PINE
7. REAR BUMPER	MAKE 1	3/4" x 15/16" X 2-9/16"	PINE
8. GAS TANK	MAKE 2	1/2" X 1-1/8" X 2"	PINE
9. AXLE	MAKE 2	2-1/4" X 3/8" DIAMETER	DOWEL
10. WHEEL	MAKE 4	1/2" X 1-1/4" DIAMETER	DOWEL
11. HUBCAP	MAKE 4	1/8" X 1" DIAMETER	DOWEL

NOTE: All body parts can be sawn from 1x4 and 2x4 lumber. Wheels, axles and hubcaps are sawn from standard diameter dowels. See parts list for sizes.



TOP



FRONT

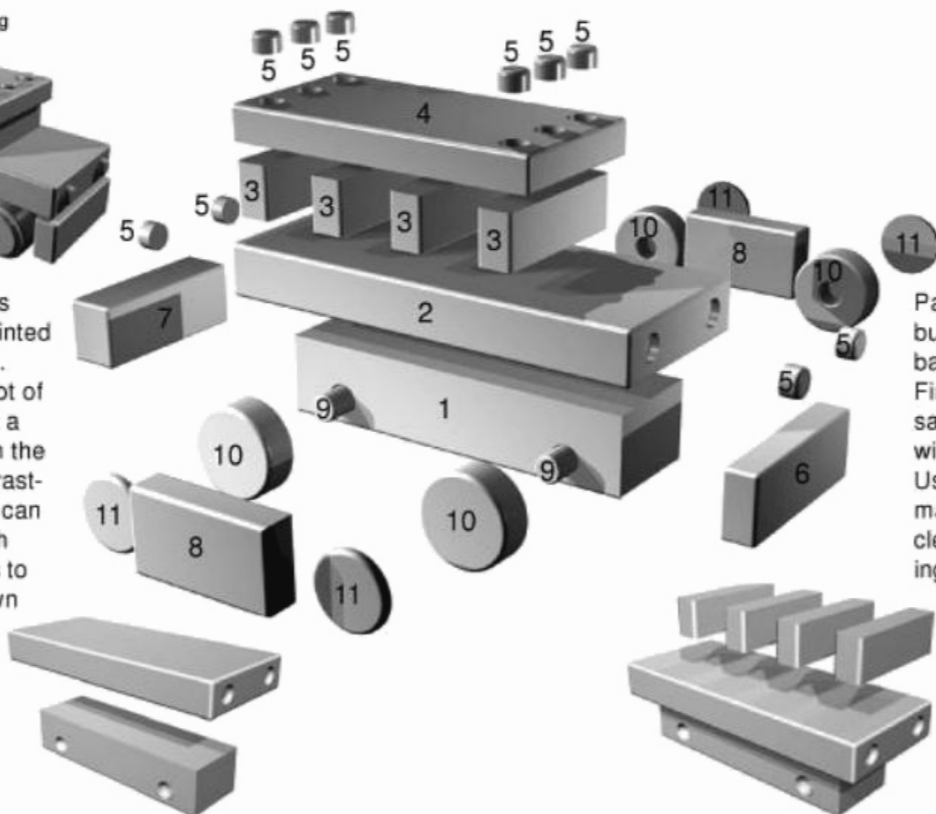
actual size



REAR

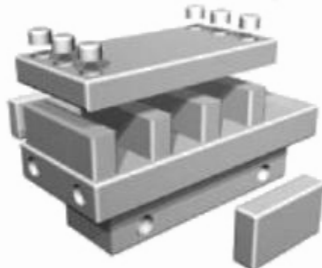


The school bus looks great painted and unpainted. Color adds a lot of punch. Paint it a solid color with the wheels a contrasting color. Or it can be painted with multiple colors to create your own personal look.



Paint the school bus with water-based enamels. First apply 3 coats, sanding between with 200 grit paper. Use painter's trim masking tape for a clean edge for adding trim colors.

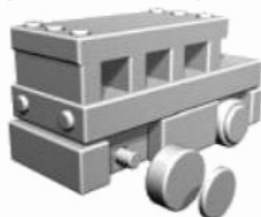
1. Round off the edges of the body and the edges of the chassis slightly as shown above prior to applying the woodworker's glue to the top side of the chassis. Press the body to the chassis firmly. Slide the body around on the chassis to spread the glue evenly. The chassis is positioned in the center of the body, side to side, and 3/8" back from the front edge of the body.



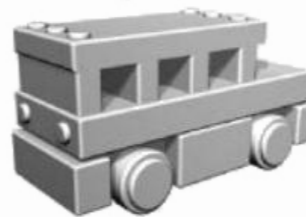
2. Add glue to window posts. Press each post down and slide it around to spread the glue evenly then press down firmly to seat the posts against the body. The window posts are slightly narrower than the body and fit side to side in the center of the body. The front window post is 1-3/4" back from the front edge of the body. The rear window post is 1/8" from rear edge of the body.



3. Apply glue to the contact surface of the gas tanks and lights. Press the gas tanks into position tightly on the chassis. Next, press the lights into position in the 6 holes in the top. Add glue to top of window posts. Press top into place on window posts. Let glue dry.



4. Apply glue to the contact surface of the bumpers and press each into position tightly on the chassis. Leave 1/8" space between bottom of body and top of bumpers. Add glue to the front and rear lights and press into place into the 4 holes in the body.



5. Place glue on the hubcaps and center the hubcaps on the wheels. Slide around and press down to achieve a tight fit. Add glue to 2 wheel holes and insert 2 axles.

6. Insert the 2 axle/wheel assemblies into the chassis. Add glue to the wheel holes of the 2 remaining wheels and press the wheels onto the axle ends.

Metro Bus Plan Set



actual size



SIDE

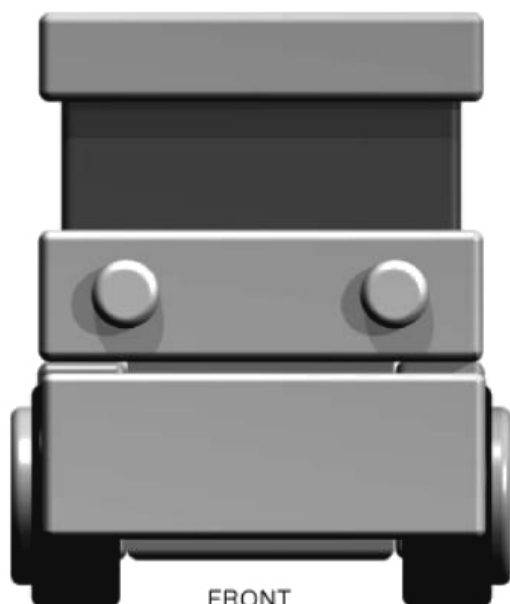
## METRO BUS PARTS LIST

1. CHASSIS	MAKE 1	1-1/8" X 1-1/2" X 5-1/8"	PINE
2. BODY	MAKE 1	3/4" X 2-9/16" X 6-1/8"	PINE
3. WINDOW POST	MAKE 5	1/2" X 3/4" X 2-1/4"	PINE
4. TOP	MAKE 1	1/2" X 2-9/16" X 6-1/8"	PINE
5. REAR BUMPER	MAKE 1	3/4" x 15/16" X 2-9/16"	PINE
6. GAS TANK	MAKE 2	1/2" X 1-1/8" x 2"	PINE
7. AXLE	MAKE 2	2-1/4" X 3/8" DIAMETER	DOWEL
8. WHEEL	MAKE 4	1/2" X 1-1/4" DIAMETER	DOWEL
9. HUBCAP	MAKE 4	1/8" X 1" DIAMETER	DOWEL
10. LIGHTS	MAKE 4	1/4" x 3/8" DIAMETER	DOWEL
11. FRONT BUMPER	MAKE 1	1/2" X 15/16" X 2-9/16"	PINE

NOTE: All body parts can be sawn from 1x4 and 2x4 lumber. Wheels, axles and hubcaps are sawn from standard diameter dowels. See parts list for sizes.



TOP

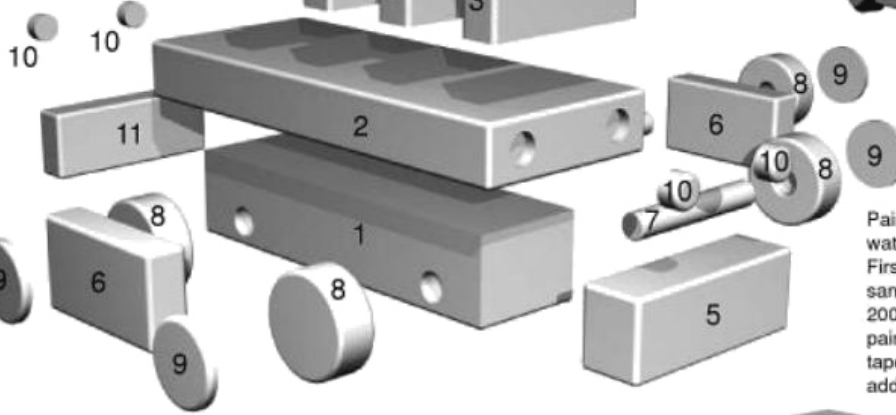


FRONT

actual size

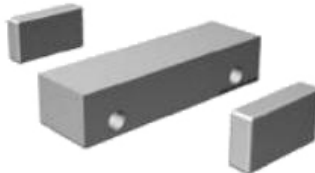


REAR



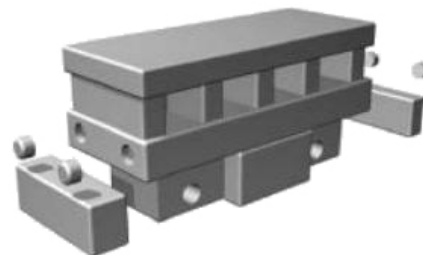
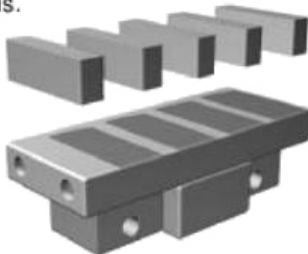
The metro bus looks great painted and unpainted. Color adds a lot of punch. Paint it a solid color with the wheels a contrasting color. Or it can be painted with multiple colors to create your own personal look.

Paint the metro bus with waterbased enamels. First apply 3 coats, sanding between with 200 grit paper. Use painter's trim masking tape for a clean edge for adding trim colors.



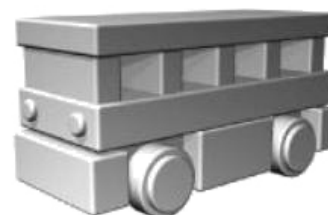
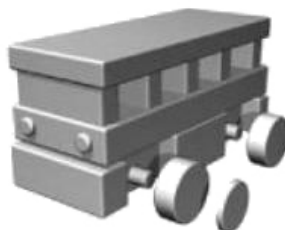
1. Round off the edges of the gas tanks and the edges of the chassis slightly as shown above prior to applying the woodworker's glue to the back side of the gas tanks. Press the tanks to the chassis firmly. The gas tanks are positioned 1-9/16" from either end of the chassis.

2. Add glue to body. Press it down on the chassis and slide it around to spread the glue evenly. Press down on the body firmly to seat it against the chassis. The body is centered on the chassis side to side and extends 3/8" over the front of the chassis.



3. Apply glue to contact surface of window posts. Front and rear window posts are glued 1/8" from front and rear edge of the body. Inner 3 window posts are evenly spaced. Press each into position tightly on the body.

4. Apply glue to the contact surface of the bumpers and and press each into position tightly on the chassis. Add glue to the front and rear lights and press into place.



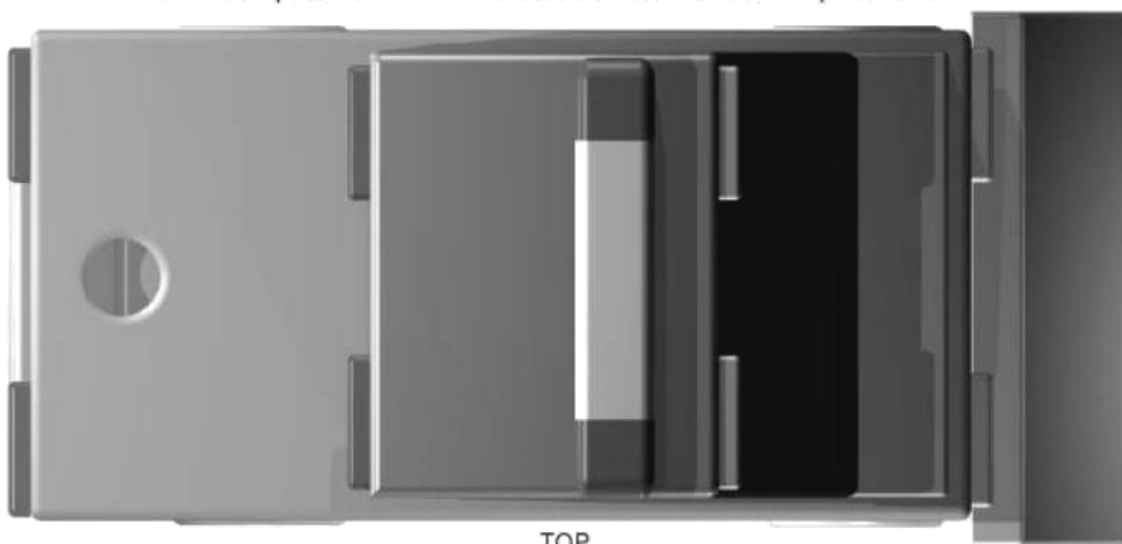
5. Place glue on the hubcaps and center the hubcaps on the wheels. Slide around and press down to achieve a tight fit. Add glue to 2 wheel holes and insert 2 axles.

6. Insert the 2 axle/wheel assemblies into the chassis. Add glue to the wheel holes of the 2 remaining wheels and press the wheels onto the axle ends.

SNOW PLOW PARTS LIST

1. CHASSIS	MAKE 1	1-1/8" X 1-1/2" X 5-1/8"	PINE
2. BODY	MAKE 1	1/2" X 2-3/4" X 5-1/4"	PINE
3. HOOD	MAKE 1	1/2" X 2-1/2" X 3-1/4"	PINE
4. CAB	MAKE 1	1/2" X 2-11/16" X 2-5/8"	PINE
5. TOP	MAKE 1	1/2" X 2-1/2" X 2-1/2"	PINE
6. SIREN	MAKE 1	5/16" X 7/16" x 2-7/16"	PINE
7. PLOW BLADE	MAKE 1	7/16" X 1-1/2" X 2-15/16"	PINE
8. REAR BUMPER	MAKE 1	5/8" X 15/16" X 2-1/2"	PINE
9. LIGHTS	MAKE 8	1/8" X 3/8" X 3/4"	PINE
10. DOOR PANEL	MAKE 2	1/2" X 1-1/8" X 1-15/16"	PINE
11. AXLE	MAKE 2	2-1/4" X 3/8" DIAMETER	DOWEL
12. WHEEL	MAKE 4	1/2" X 1-1/4" DIAMETER	DOWEL
13. HUBCAP	MAKE 4	1/8" X 1" DIAMETER	DOWEL

NOTE: All body parts can be sawn from 1x4 and 2x4 lumber. Wheels, axles and hubcaps are sawn from standard diameter dowels. See parts list for sizes.



TOP



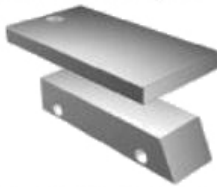
FRONT

actual size

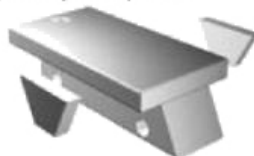


REAR

1. Round off edges of the parts to your taste prior to applying woodworker's glue to the underside of the body. 100 grit sandpaper wrapped to a small block works well for smooth and straight rounded edges.



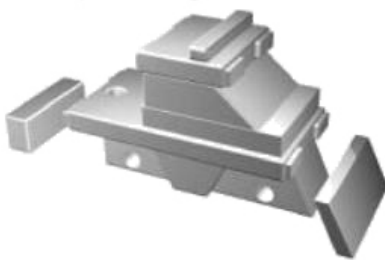
2. Apply glue to bottom of body. Press to chassis. Slide each around to spread glue evenly. Align the body carefully on the chassis as shown on page 79. Press the body firmly into place.



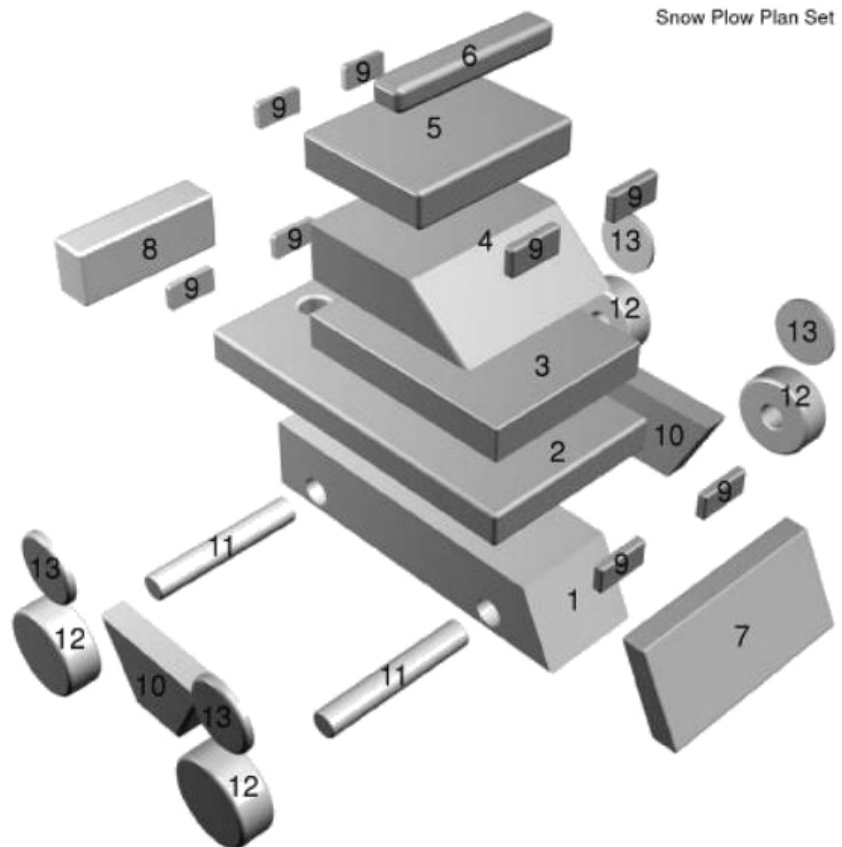
3. Apply glue to door panels. Position panels on each side of chassis. Slide panels around to spread glue evenly. Once glue has a grip press panels into place. Allow glue to dry before proceeding.



4. Apply glue to hood and press into place at front end of body. Slide hood around to spread glue evenly. Once glue has a grip press hood into place. Allow glue to dry before proceeding.



7. Apply glue to bumper and snow plow. Align the bumper and snow plow with the chassis as shown on page 80. Slide each part around and press down for a tight fit. Let glue dry before proceeding.



5. Apply glue to cab and top and set each into place on hood. Slide parts around to spread glue evenly. Once glue has a grip press parts into position. Allow glue to dry before proceeding.



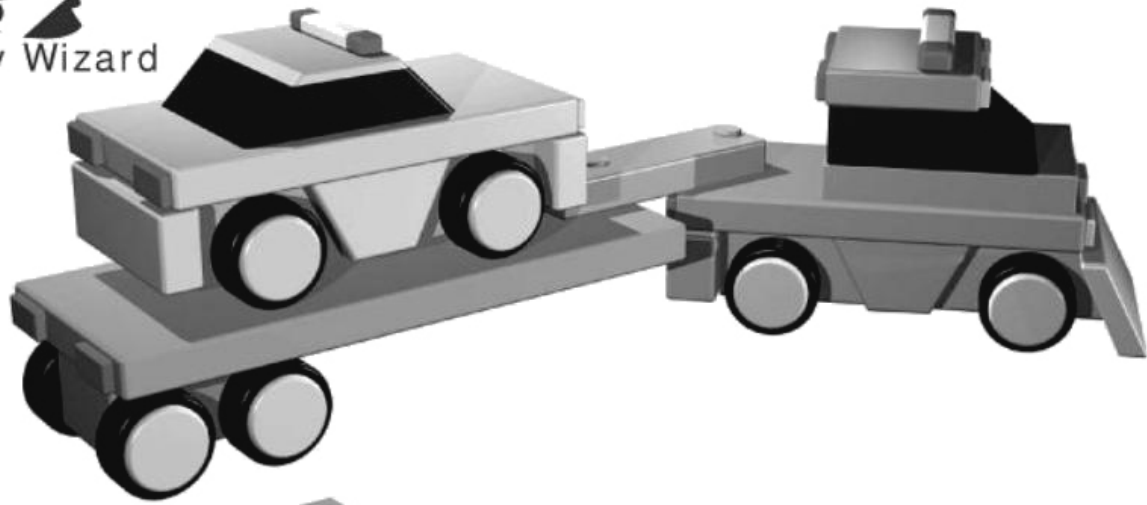
8. Apply glue to hubcaps and place hubcaps on wheels. Slide each part around then press down for a tight fit. Let glue dry before proceeding. Glue axles to wheels to snow plow after painting.

6. Apply glue to siren and eight lights. Slide each around to spread glue evenly. Once glue has a grip press parts into position. Align lights and siren as shown in views on page 80.



9. Paint a solid color with water based enamel. Apply 3 coats, sanding first 2 coats with 200 grit paper. Added colors are masked with painter's trim masking tape for clean edge.

## Salvage Trailer Plan Set



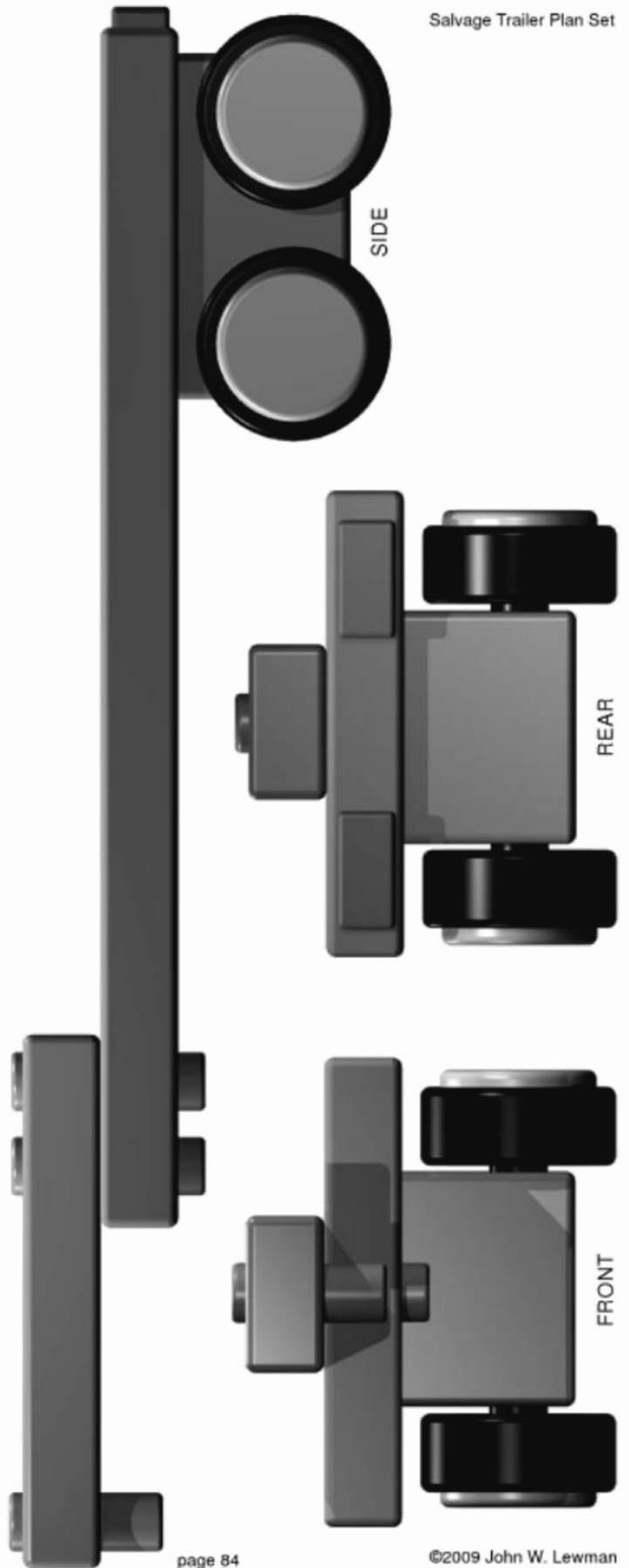
### SALVAGE TRAILER PARTS LIST

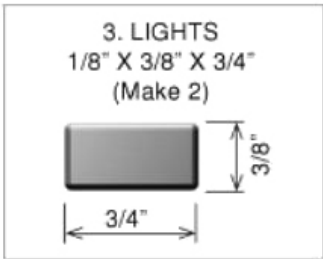
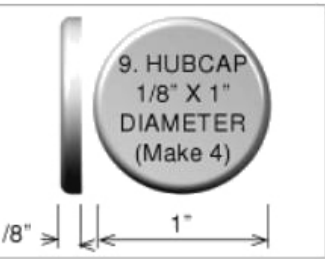
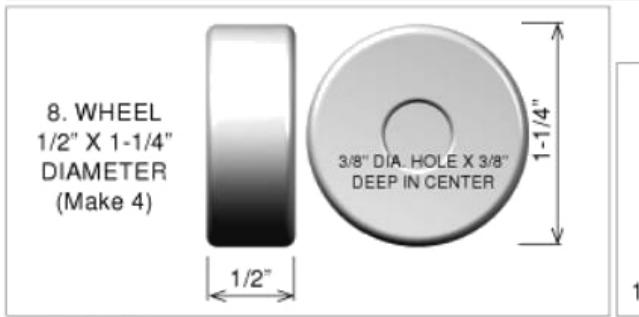
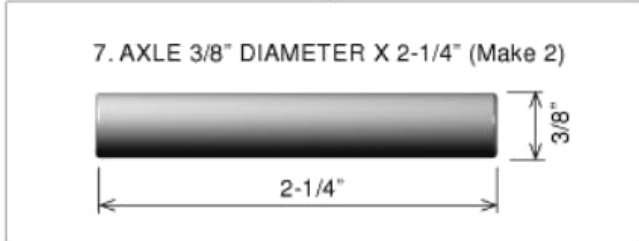
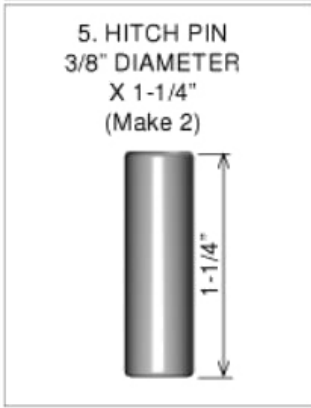
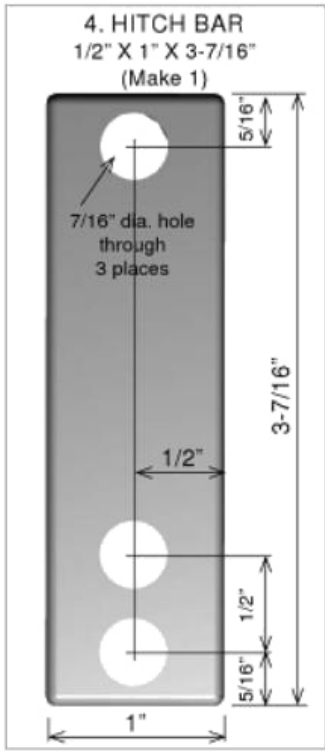
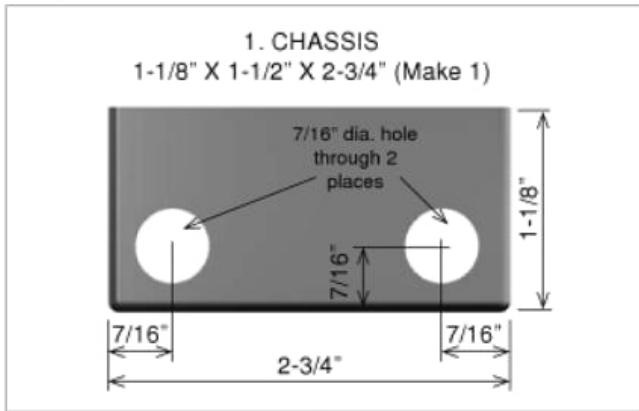
1. CHASSIS	MAKE 1	1-1/8" X 1-1/2" X 2-3/4"	PINE
2. HAUL BED	MAKE 1	1/2" X 3" X 7-3/4"	PINE
3. LIGHTS	MAKE 2	1/8" X 3/8" X 3/4"	PINE
4. HITCH BAR	MAKE 1	1/2" X 1" X 3-7/16"	PINE
5. HITCH PIN	MAKE 2	1-1/4" x 3/8" DIAMETER	DOWEL
6. HITCH	MAKE 1	1" X 3/8" DIAMETER	DOWEL
7. AXLE	MAKE 2	2-1/4" X 3/8" DIAMETER	DOWEL
8. WHEEL	MAKE 4	1/2" X 1-1/4" DIAMETER	DOWEL
9. HUBCAP	MAKE 4	1/8" X 1" DIAMETER	DOWEL

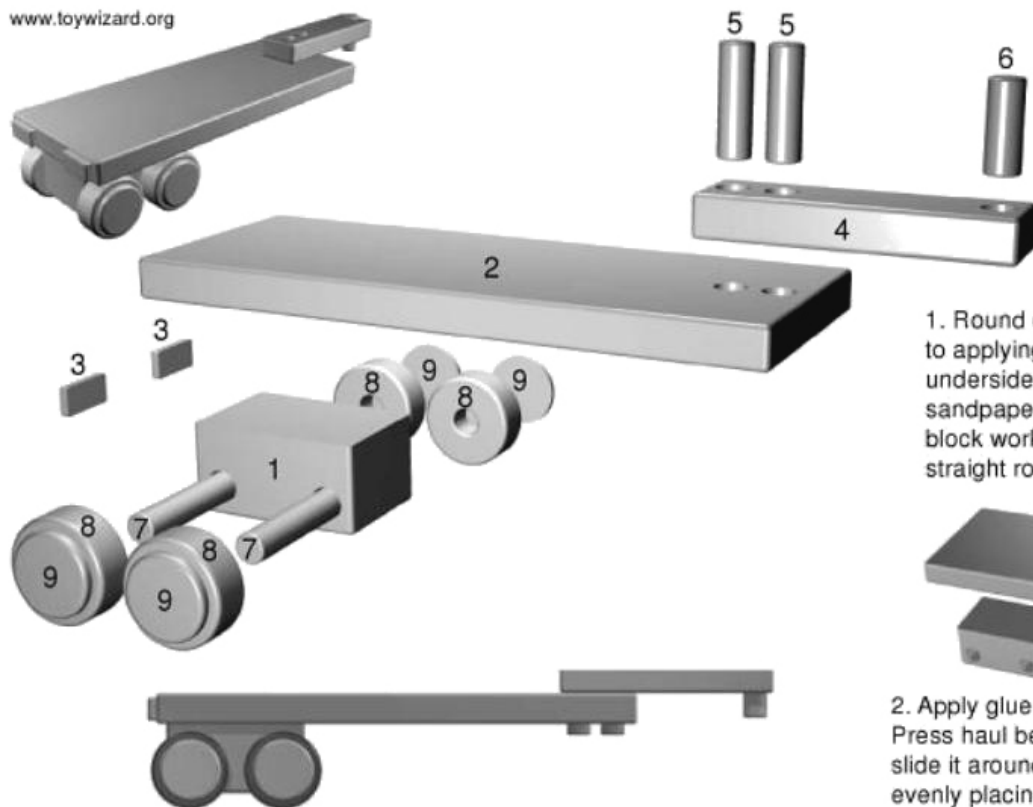
NOTE: All body parts can be sawn from 1x4 and 2x4 lumber. Wheels, axles and hubcaps are sawn from standard diameter dowels. See parts list for sizes.



TOP







1. Round off edges of parts prior to applying woodworker's glue to underside of the body. 100 grit sandpaper wrapped to a small block works well for smooth and straight rounded edges.



2. Apply glue to top of chassis. Press haul bed onto chassis and slide it around to spread glue evenly placing chassis as shown on page 84.



3. Apply glue to hitch bar and press to haul bed. Slide each around to spread glue evenly. Align the part carefully on haul bed as shown on page 84. Let glue dry thoroughly before proceeding.



4. Drill haul bed using pre-drilled hitch bar glued in place as a guide. Drill 2 holes through hitch bar into the haul bed. Press and glue hitch pins into place. Allow glue to dry before proceeding.



5. Apply glue to hitch and press into place in hitch bar. Hitch and hitch pins may require light tapping with a hammer to press each through the drilled holes. Let glue dry thoroughly after assembly.



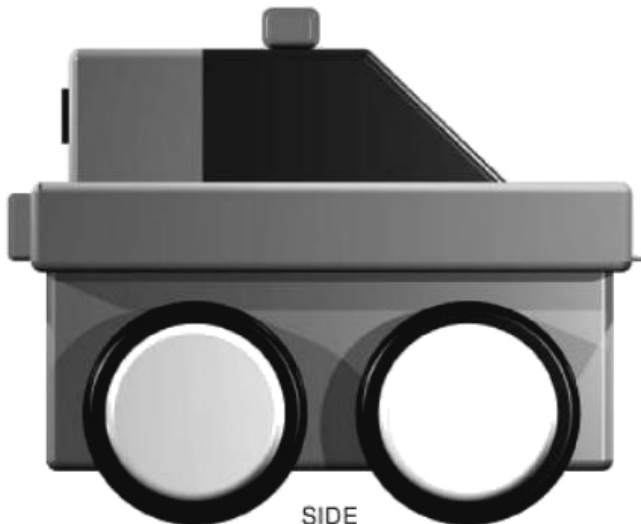
6. Place glue on the lights and press into place on haul bed rear edge. Slide the lights around and press down for a tight fit. Allow the lights to dry thoroughly before proceeding with the next steps.



7. Place glue on the hubcaps and center the hubcaps on the wheels. Slide around and press down to achieve a tight fit. Wheels and axles are added to the assembly after the painting steps are completed and paint is dry.



8. Paint a solid color with non-toxic water based enamel. Apply 3 coats, sanding first 2 coats with 200 grit paper. Do not sand final coat. Added colors are masked with painter's trim masking tape for clean edge.



SIDE

## ECO CAR PARTS LIST

1. CHASSIS	MAKE 1	1-1/8" X 1-1/2" X 3-3/16"	PINE
2. BODY	MAKE 1	1/2" X 2-3/4" X 2-3/8"	PINE
3. TOP	MAKE 1	3/4" X 2-3/8" X 2-7/16"	PINE
4. SIREN	MAKE 1	1/4" X 5/16" X 1-13/16"	PINE
5. REAR WINDOW	MAKE 1	1/16" x 5/16" X 1-3/16"	PINE
6. LIGHTS	MAKE 4	1/8" X 3/8" x 3/4"	PINE
7. AXLE	MAKE 2	2-1/4" X 3/8" DIAMETER	DOWEL
8. WHEEL	MAKE 4	1/2" X 1-1/4" DIAMETER	DOWEL
9. HUBCAP	MAKE 4	1/8" X 1" DIAMETER	DOWEL

NOTE: All body parts can be sawn from 1x4 and 2x4 lumber. Wheels, axles and hubcaps are sawn from standard diameter dowels. See parts list for sizes.

actual size



TOP



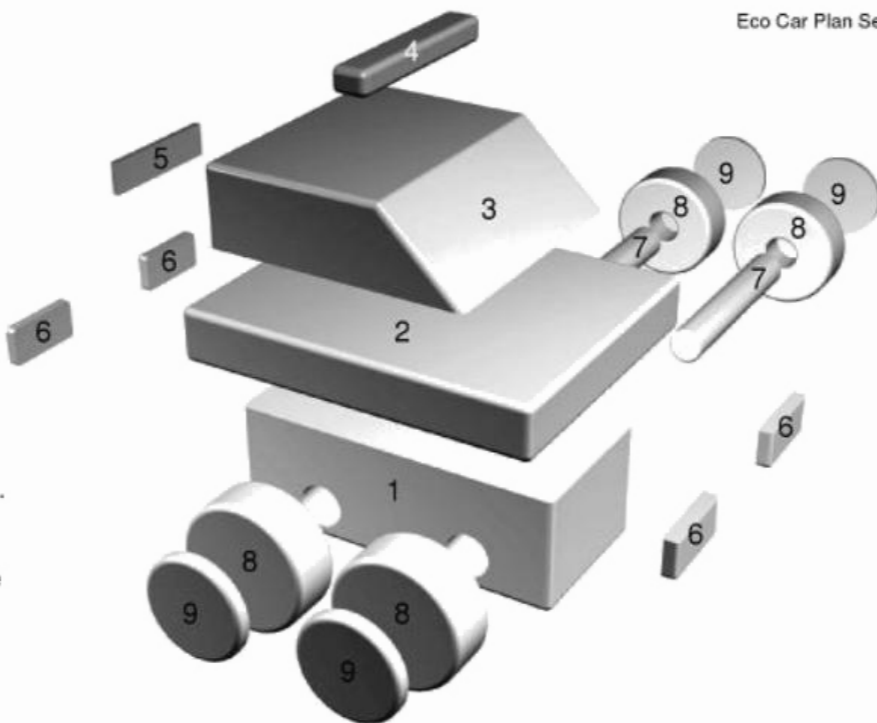
FRONT



REAR



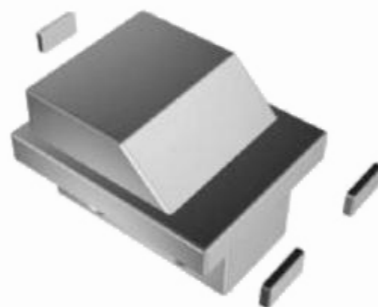
The eco car looks great painted and unpainted. Color adds a lot of punch. Paint it a solid color with the wheels a contrasting color. Or it can be painted with multiple colors to create a variety of really fun combos.



1. Round off edges of the parts prior to applying woodworker's glue to the underside of the body. 100 grit sandpaper wrapped to a small block works well for smooth and straight rounded edges.



2. Apply glue to top and body. Press to chassis. Slide each around to spread glue evenly. Align top and body carefully on chassis as shown on page 87. Once glue grips, press parts firmly into place.



3. Apply glue to lights and press into place on each end of body. Slide lights around to spread glue evenly. Once glue has a grip, press lights into place. Allow glue to dry before proceeding.



4. Apply glue to siren and back window. Slide each around to spread glue evenly. Once glue has a grip press parts into place. Align window and siren as shown in views on page 87.



5. Place glue on the hubcaps and center the hubcaps on the wheels. Slide around and press down to achieve a tight fit. Wheels and axles are added to the assembly after the painting steps are completed and paint is dry.



6. Paint with clear polyurethane varnish or water based enamel colors. Apply 3 coats, sanding first 2 coats with 200 grit paper. Insert axle/wheel assemblies into chassis. Glue wheels in place.

## USEFUL LINKS

### SUPPLIERS AND MANUFACTURERS

<http://www.woodcraft.com>

<http://generalfinishes.com>

<http://minwax.com>

<http://titebond.com>

<http://www.hobbylobby.com>

### TOOLS AND MACHINERY

<http://www.harborfreight.com>

<http://www.deltaportercable.com>

<http://www.dewalt.com>

<http://www.feinus.com>

<http://festoolusa.com>

<http://cmtutensili.com>

<http://freudtools.com>

<http://www.powermatic.com>

<http://www.jettools.com>

<http://steelcitytoolworks.com>

<http://rikontools.com>

<http://teknatool.com>

<http://whitesiderouterbits.com>

<http://www.homedepot.com>

<http://www.lowes.com>

<http://www.highlandwoodworking.com>

### ORGANIZATIONS AND ONLINE INFO

<http://www.taunton.com/finewoodworking/>

<http://tsiwoodworkingshows.com>

<http://woodweb.com>

<http://awfs.org>

<http://www.toydesign.org>

[http://www.otis.edu/academics/toy\\_design/index.html](http://www.otis.edu/academics/toy_design/index.html)

### ONLINE PUBLICATIONS

<http://popularwoodworking.com>

<http://www.americanwoodworker.com>

<http://www.woodmagazine.com>

<http://www.am-wood.com>

<http://www.woodsmith.com>

<http://woodworkersjournal.com>

<http://www.workbenchmagazine.com>

<http://woodezine.com>

<http://www.woodcarvingillustrated.com>

<http://carvingmagazine.com>

<http://woodturningdesign.com>

<http://www.woodsmith.com>

<http://www.toywizard.org>

<http://www.wooden-handicrafts.com>

Woodworking / Crafts  
\$19.95 USA

The Toy Wizard's Favorite

# Wood Toy Plans

FOR TOY CARS AND TRUCKS



**20 COMPLETE  
EASY TO BUILD  
FULL SIZE PLAN SETS**

All you need to start building these 20 popular wood toys is a saw, a drill, drill bits and sandpaper. Paint is optional. Each of the toys uses common lumber and tools. Every design is inexpensive to complete and safe to play with. And, you can build the entire set in a weekend and have a lot of fun doing it!

Are you planning to make several toys? All the designs are carefully planned for easy construction using simple cuts and quick finishing methods. You'll soon be having fun crafting your new toys and sharing your creations.

Parents and kids fall in love with these timeless toys. You'll be thrilled with the smiles and laughter of family, friends and customers who see your work.

Get started enjoying the art of toymaking today!



Shawnee, Kansas 66216 [www.toywizard.org](http://www.toywizard.org)

20 COMPLETE TOY PLAN SETS



POLICE CAR



SCHOOL BUS



SUV



DELIVERY TRUCK



COUPE



METRO BUS



ECO CAR



EMERGENCY VEHICLE



PICKUP



SPORTS CAR



FIRE TRUCK



MINIVAN



DUMP TRUCK



AMBULANCE



FLATBED



WAGON



SALVAGE TRAILER



SEMI TRAILER



SNOW PLOW



SEMI TRACTOR

\$19.95  
ISBN 978-1-60725-824-7  
5 1995 >



9 781607 258247