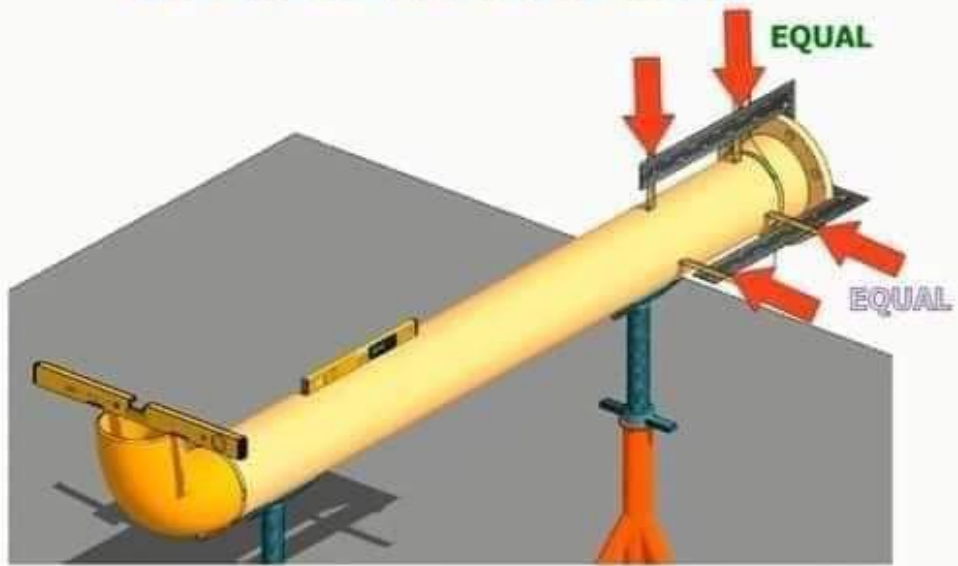
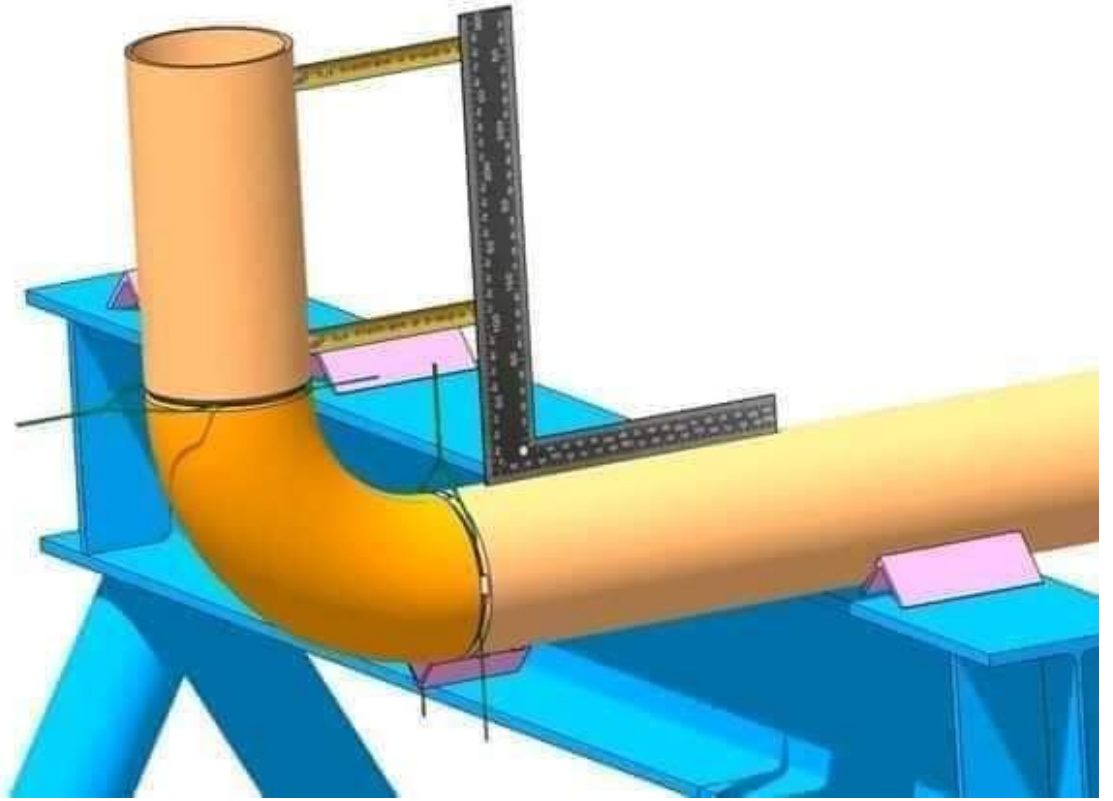
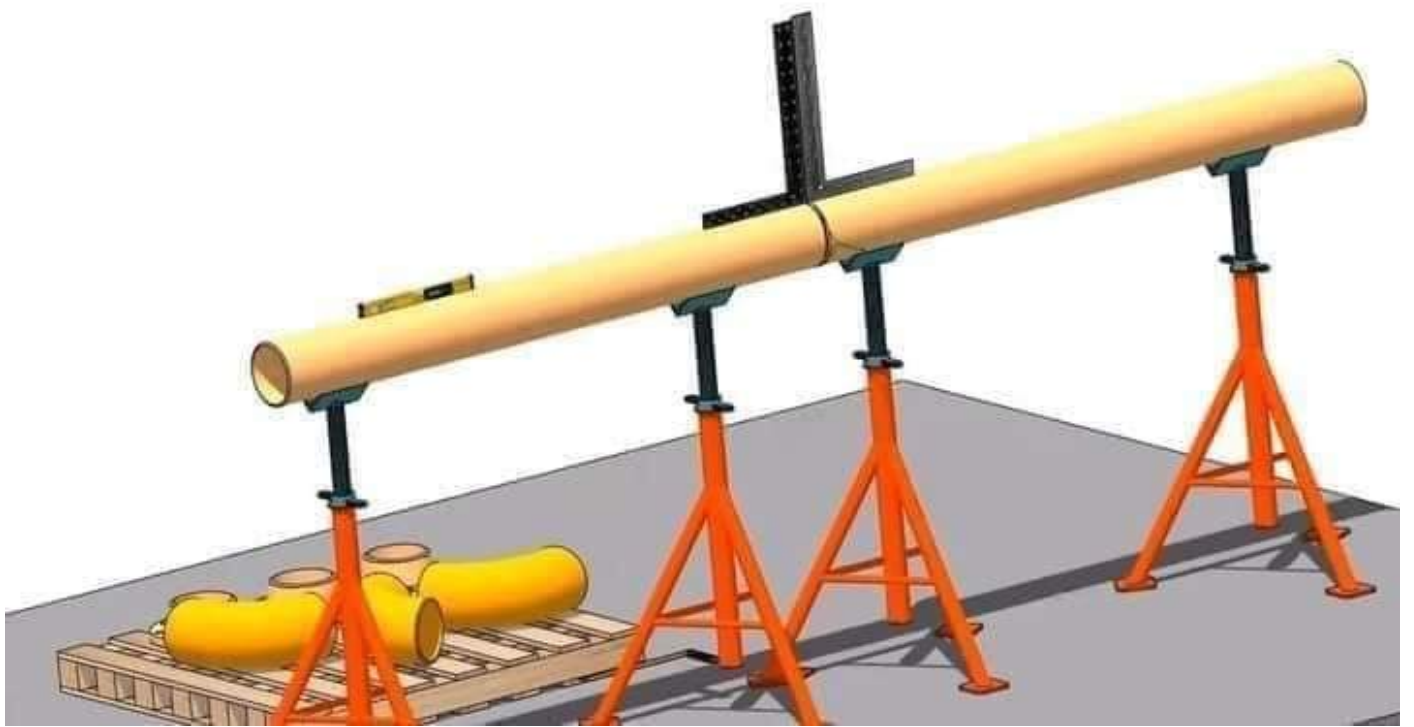


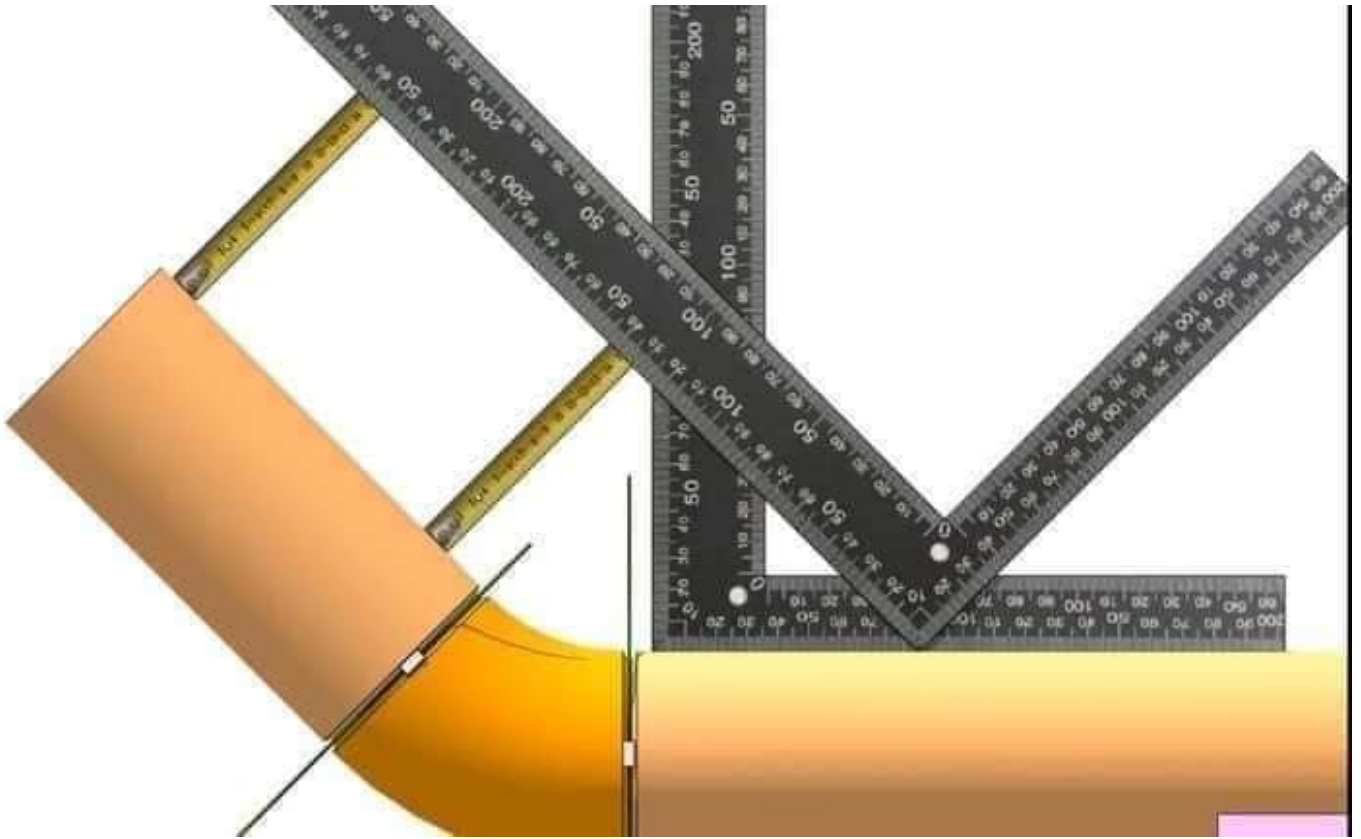
**ALIGNING 90 DEG ELBW, PIPE AND FLANGE USING SPIRIT LEVEL AND RIGHT ANGLE.**



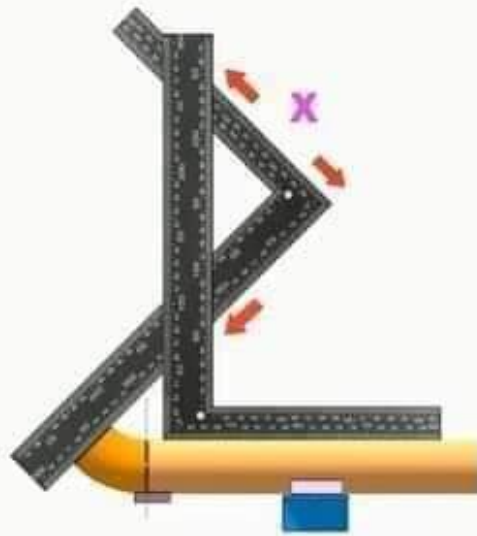




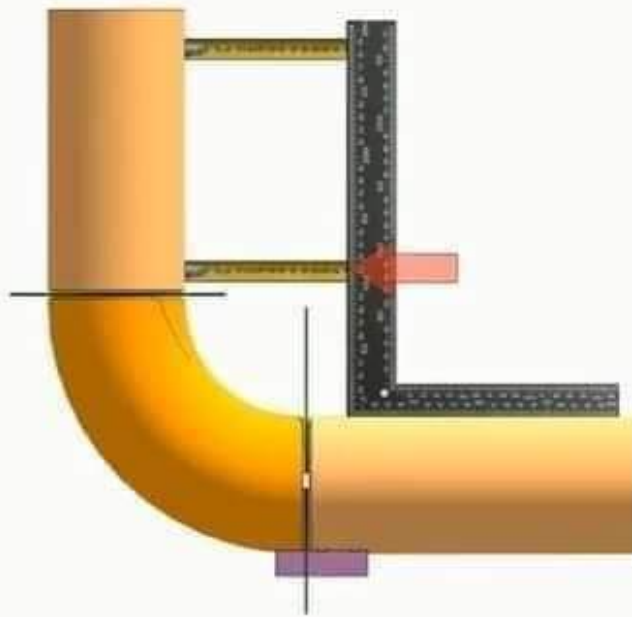
eng .mohammed rahman

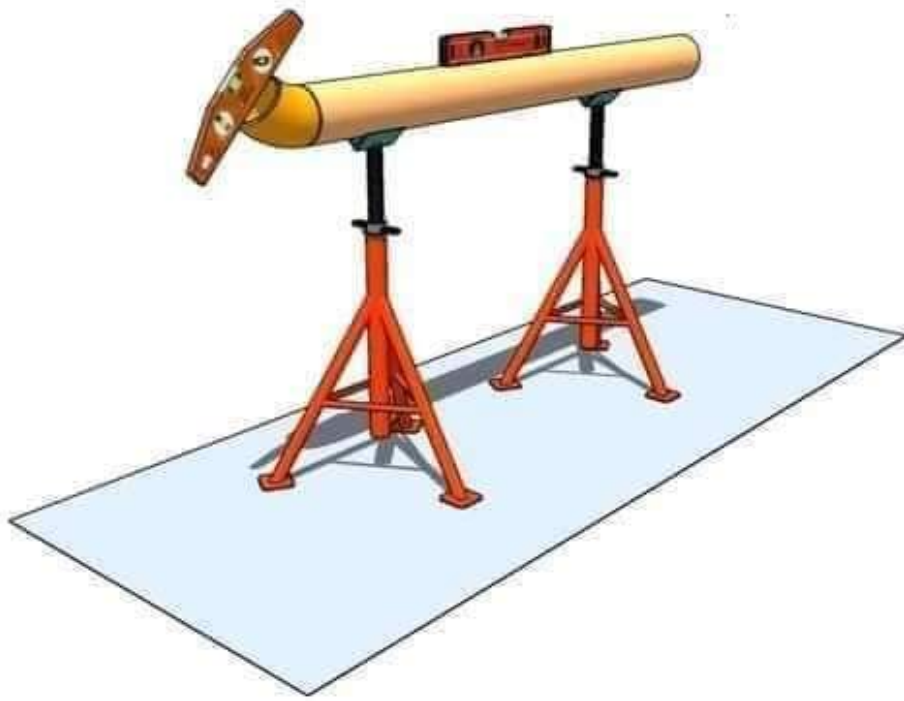


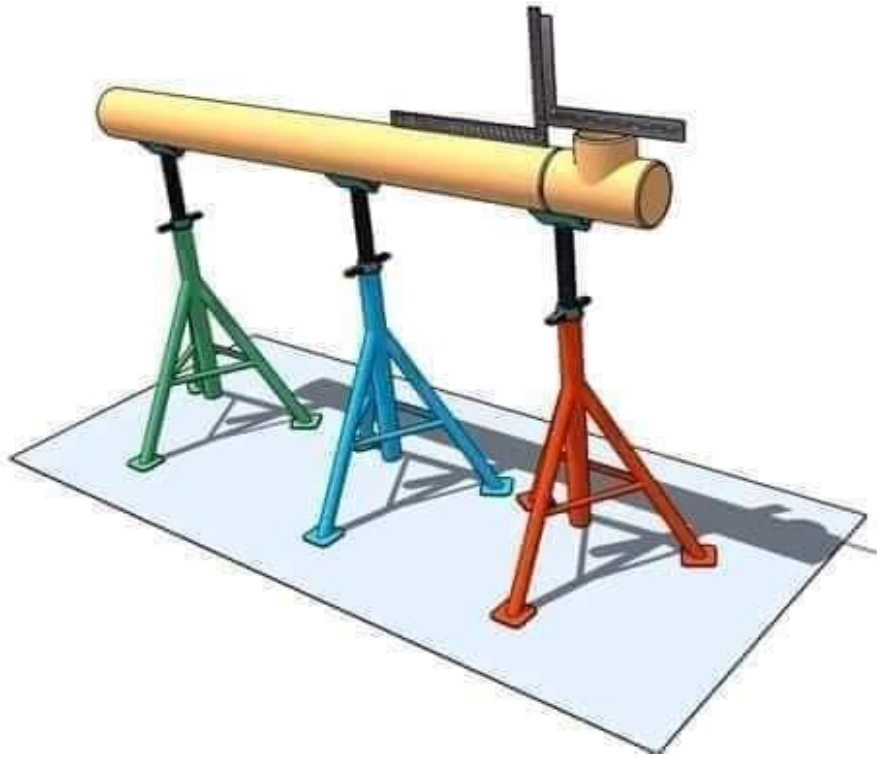
**ALIGNING PIPE AND 45 DEG. ELBOW,  
USING TWO RIGHT ANGLES.**



## HOW TO ALIGN, A PIPE, AN ELBOW AND ANOTHER PIPE.







# ALIGNING PIPE, 45 DEG. ELBOW AND PIPE.

